

EQC Series

Quick Release Couplings

1/8" and 1/4" flow size | Stainless Steel 316





Eox is committed to the development of market leading component technology to support medical, scientific and life science industries with true design innovation.

Introducing our new EQC stainless steel 316 coupling range

- All stainless steel 316 couplings including poppet
- Excellent chemical resistance
- Audible click when connected
- Available in valved and non-valved
- Interchangeable with other similar metal thumb-latch couplings
- Easy to use

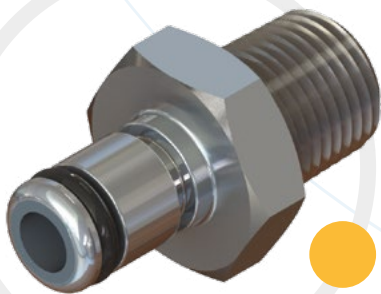


Eox is a global supplier of miniature fluid control components including: fittings, couplings, tubing, check valves and filters

- **Full Technical Data & Documentation** | Available for every product on our website
- **3D CAD Drawings** | Available for download to assist your design process

- Connection types include:
Barb, Thread and Panel Mount

- Flow options include:
Q2 Series | 1/8" flow
Q4 Series | 1/4" flow



Interchangeable with similar metal thumb-latch couplings

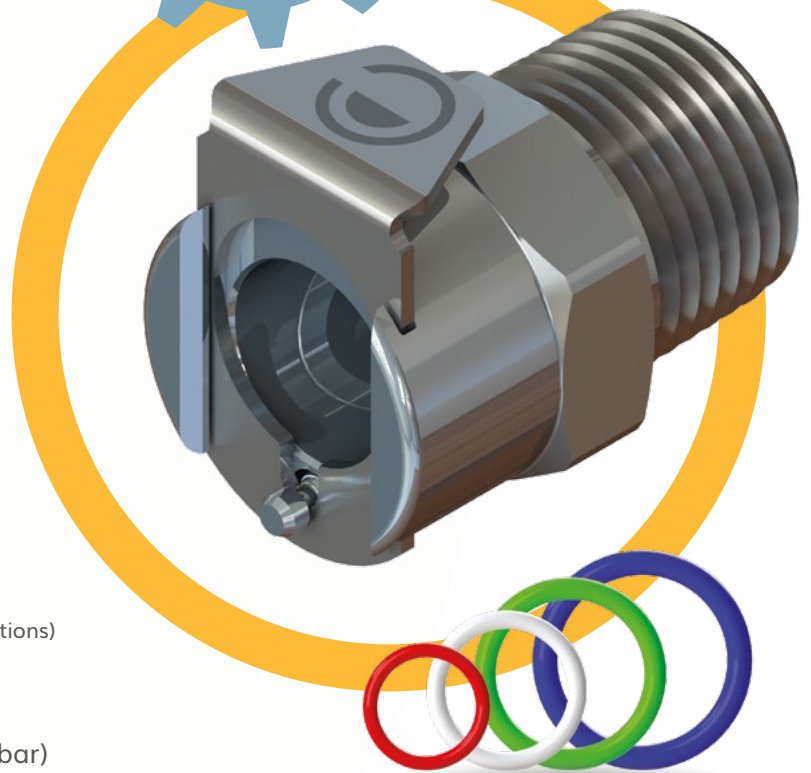


Technical Specifications:

Bodies/Terminations:	Stainless Steel 316
Internal Valve:	Stainless Steel 316
Thumb Latch:	Stainless Steel 316
External Springs:	Stainless Steel 316
O-rings:	EPDM, Silicone, Viton (enquire for other material options)

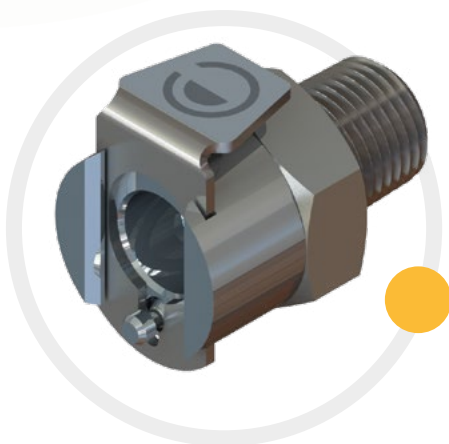
Performance:

Operating Pressure:	Vacuum to 120 psi (8.3 bar)
Temperature:	32°F to 160°F (0°C to 71°C)
Flow Capacity:	1/8" and 1/4"
Fit Tubing ID:	1/4" - 3/8"



Choose from a range of O-ring materials:

EPDM, Silicone, Viton





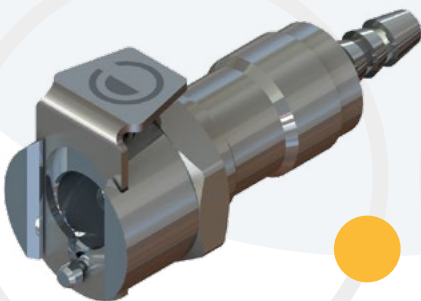
visit our website to discover our range of quick release couplings

www.eoxshop.com/Couplings/Metal-Couplings/

EQC Part Number System Example: E-Q4V-SB-1-SS-V

(Q4 Series Valved Socket, 1/8" ID, SS316, Viton)

Series	Coupling Code	Connection	Material	Material Seal
E-Q2 Q2 Series	SB Socket Barb	1 1/8" ID	S/S 316	V Viton (FKM)
E-Q2V Q2 Series, Valved	ST Socket Thread	2 1/8" NPT		E EPDM
E-Q4 Q4 Series	SPM Socket Panel Mount	3 1/4" ID	S/S 316	S Silicone, USP Class VI, ISO10993
E-Q4V Q4 Series, Valved	PB Plug Barb	4 1/4" NPT		
	PT Plug Thread	5 3/8" ID		
	PPM Plug Panel Mount	6 3/8" NPT		
	BP Blanking Plug	7 6mm OD x 4mm ID Finger Tight		
		8 1/8" BSPP		
		9 1/4" BSPP		



DESIGNED & MANUFACTURED IN THE UK

DISTRIBUTED WORLDWIDE

Get in touch with the Eox technical team to discuss your requirements in more detail:

+44 (0)23 9226 6031

sales@eoxshop.com

eoxshop.com