



our mission is to control with precision

Part No:

Medium:

Maximum Inlet Pressure:

Regulated Outlet Pressure Range:

Max Hysteresis (at 20°C):

Connection Style:

Flow Capacity:

Supply Pressure Effect:

Recommended Filtration:

Operating Temperature Range:

Medium Temperature Range:

Wetted Materials:

Non-Wetted Materials:

Oxygen Clean:

Anodised Colours:

Aluminium: ENR-20-MMG-AL-V-H-C

Air and Medical Gases

8 bar (116 psi)

0.05 (0.72 psi) - 2.00 bar (29 psi)

Less than 0.01 bar (0.15 psi)

Manifold mounted: 1/8 BSPP - see manifold detail

60 L/min @ 6 bar (87 psi) supply, 1.0 bar (14.5 psi) outlet pressure set point

Less than 0.02 bar (0.3 psi) change in outlet pressure
for 0.35 bar (5 psi) change in supply pressure

5 micron

0°C to 60°C (32°F to +140°F)

0°C to 60°C (32°F to +140°F)

Aluminium 6082, Stainless steel 316, FKM, PVDF

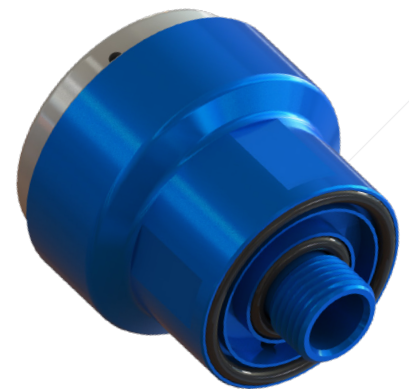
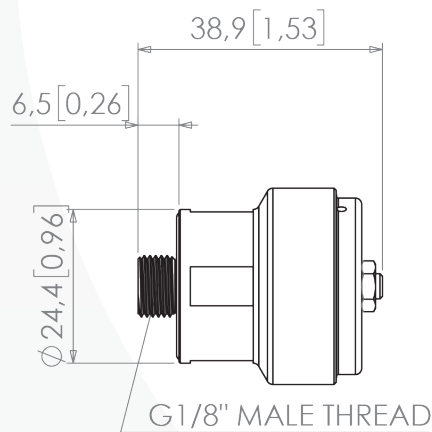
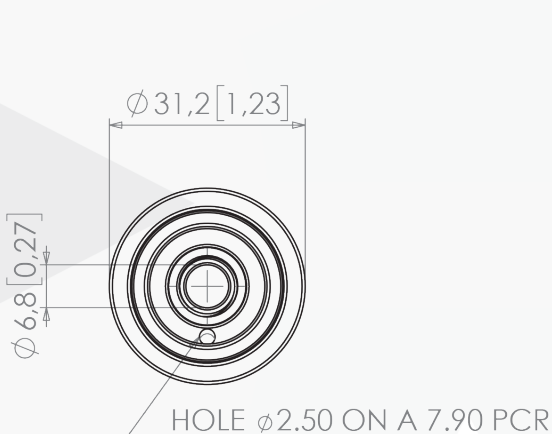
Aluminium 6082, Stainless steel 316 and 303

Available on request

Available on request - MOQ will apply

Mounting manifolds are available to order on request - sales@eoxshop.com

Please Note: Consult us if the manifold material is non-metal



*Example of anodised option

Eox supplies customers around the world with a unique portfolio and wide range of fittings, couplings, tubing, check valves and other miniature fluid control components

- **Design & Development** - We create components specifically for medical and scientific applications
- **Full Technical Data & Documentation** - Available for every Eox product
- **3D CAD Drawings** - Available for download to assist your design process

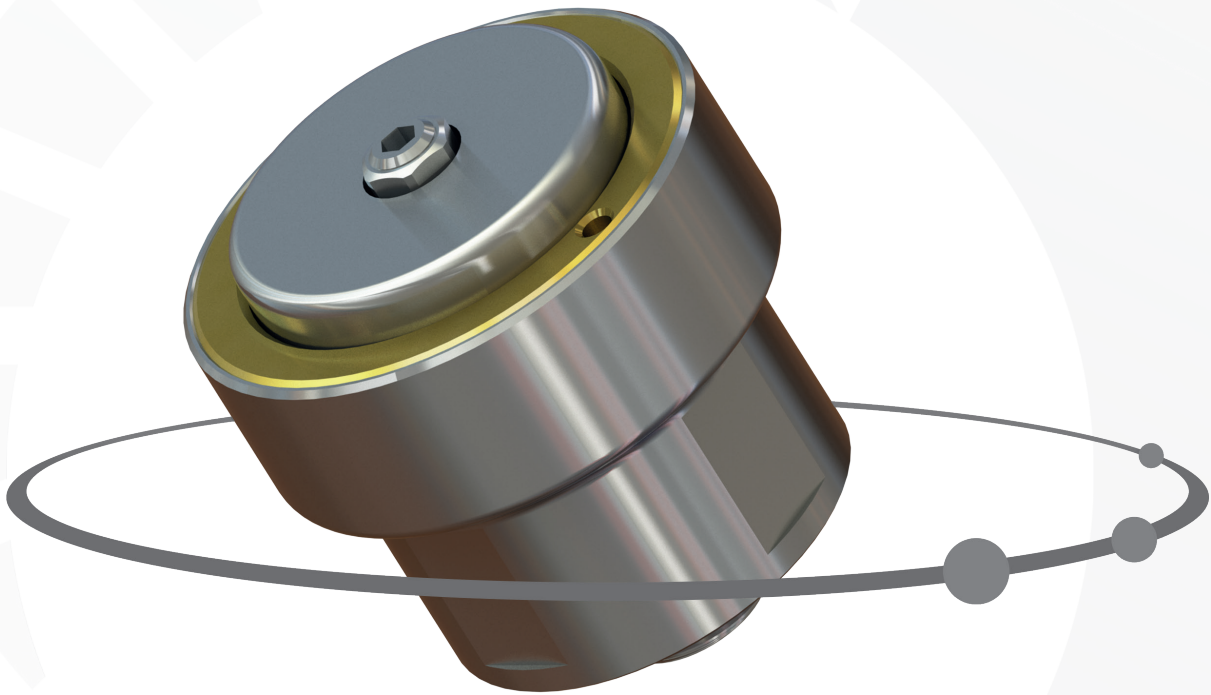


Get in touch with the Eox technical support specialists who are available to discuss your requirements in more detail and support your project:

+44 (0)23 9226 6031 sales@eoxshop.com eoxshop.com



regulate with precision



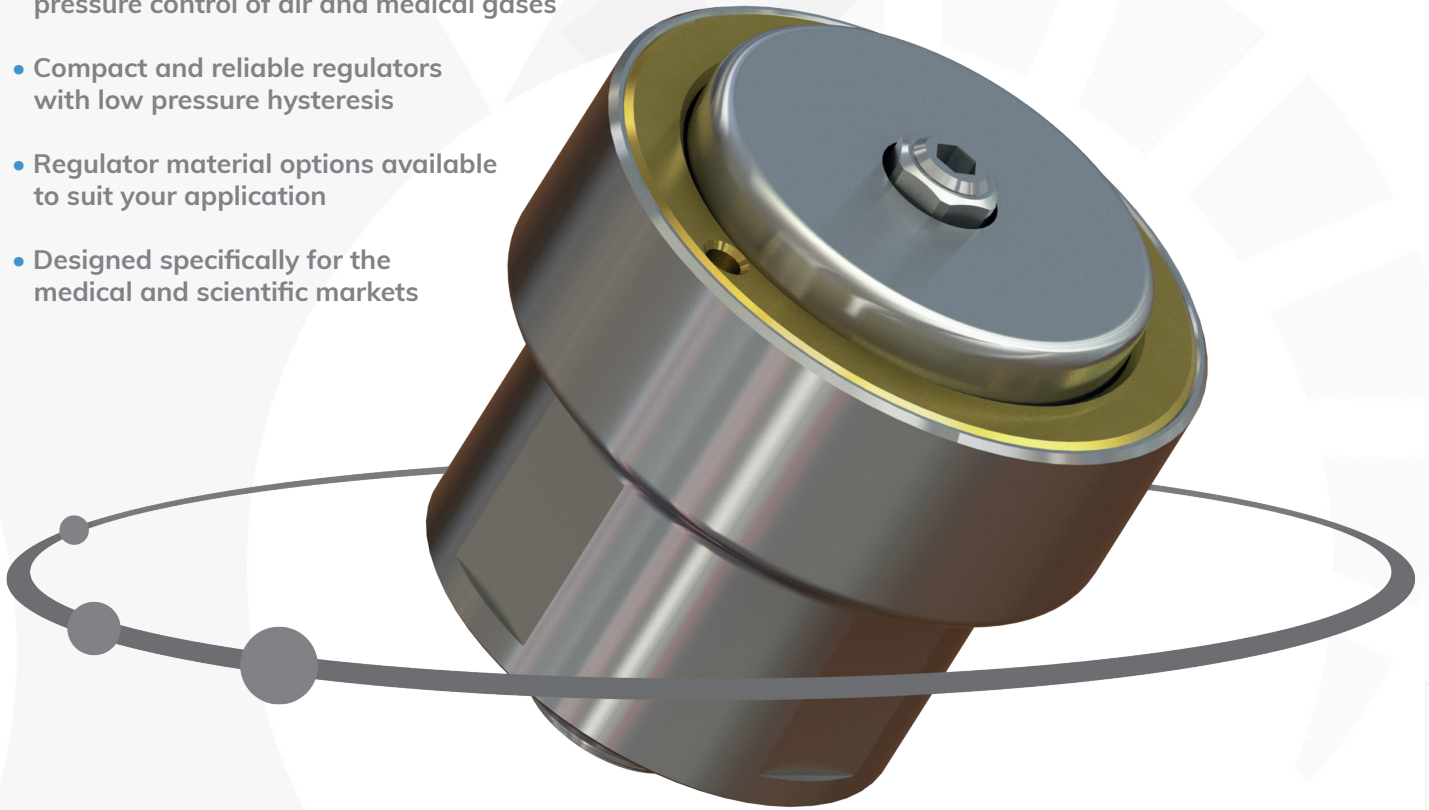
ENR Series Regulator

 **MADE IN
BRITAIN**
DESIGNED & MANUFACTURED IN THE UK
DISTRIBUTED WORLDWIDE



Reliable and compact precision pressure regulators

- Non-relieving and non-bleed for precision pressure control of air and medical gases
- Compact and reliable regulators with low pressure hysteresis
- Regulator material options available to suit your application
- Designed specifically for the medical and scientific markets



regulate with precision

Our latest non-relieving non-bleed miniature regulator offers precision pressure control with excellent repeatability

Eox is committed to the development of new, market leading component technology to support medical, scientific and life science industries with true design innovation.

Where control of compressed air or medical gas is required, this component offers complete performance reliability. Designed and manufactured in the UK, Eox are delighted to offer this component to an international audience of med-tech and life science equipment manufacturers.

This new addition to the Eox range is designed to produce a precise outlet pressure range of 0.05 (0.72 psi) - 2.00 bar (29 psi), with a maximum inlet pressure of 8 bar (116 psi). For full technical details please refer to the technical specification (see page 2, right).

This component is available as standard or may be customised for your application

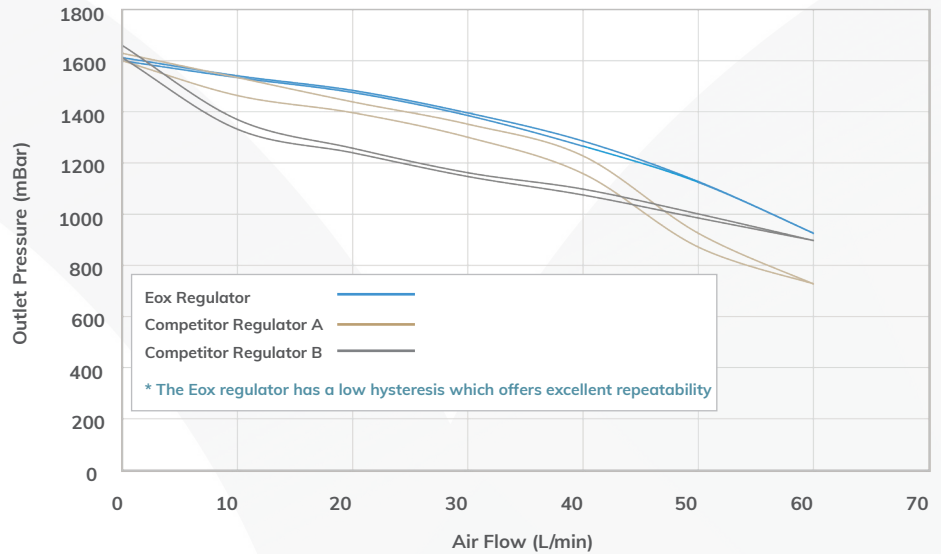
Scan & Spin

See this component online with our 3D 360° Preview Tool



Technical Specifications:

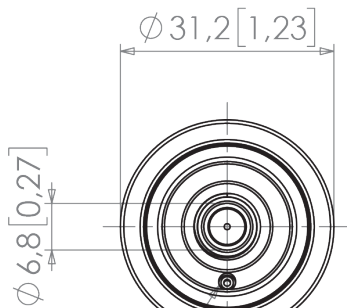
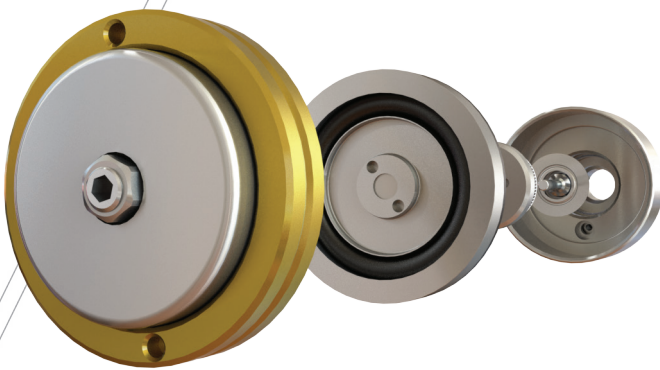
Outlet Pressure v Flow Example (4 bar (58 psi) Supply)



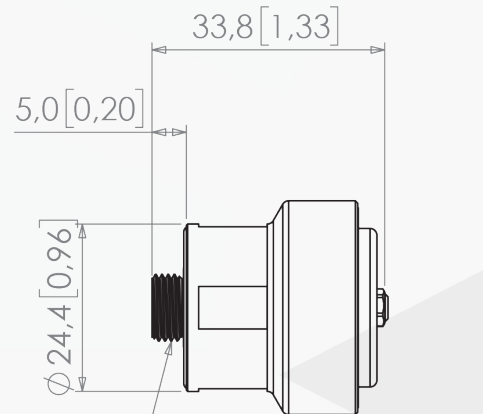
Reliable, precise pressure regulation

The very low pressure hysteresis of the Eox pressure regulator is shown in the chart above by the solid blue line plot with outlet pressure set at 1600 mbar at zero flow and 4 bar (58 psi) supply.

The other lines indicate two competitor regulators with higher pressure hysteresis and larger outlet pressure droop than the Eox regulator.



HOLE ϕ 2.50 ON A 7.90 PCR



G1/8" MALE THREAD



INNOVATIVE
PATENTED
DESIGN

Part No:

Medium:	Air and Medical Gases
Maximum Inlet Pressure:	8 bar (116 psi)
Regulated Outlet Pressure Range:	0.05 (0.72 psi) - 2.00 bar (29 psi)
Max Hysteresis (at 20°C):	Less than 0.01 bar (0.15 psi)
Connection Style:	Manifold mounted: 1/8 BSPP - see manifold detail
Flow Capacity:	60 L/min @ 6 bar (87 psi) supply, 1.0 bar (14.5 psi) outlet pressure set point
Supply Pressure Effect:	Less than 0.02 bar (0.3 psi) change in outlet pressure for 0.35 bar (5 psi) change in supply pressure
Recommended Filtration:	5 micron
Operating Temperature Range:	0°C to 60°C (32°F to +140°F)
Medium Temperature Range:	0°C to 60°C (32°F to +140°F)
Wetted Materials:	Stainless steel 316, FKM, PVDF
Non-Wetted Materials:	Stainless steel 316 and 303, Aluminium Bronze
Oxygen Clean:	Available on request

Stainless Steel: ENR-20-MMG-SS-V-H-C



Mounting manifolds are available to order on request - sales@eoxshop.com
Please Note: Consult us if the manifold material is non-metal