



Fluid control components

# Fittings



Eox supplies customers around the world with a unique portfolio of fittings, luers, couplings, tubing, check valves, flow control and other products.

Full technical data and documentation is available for every product including downloadable 3D CAD drawings. Eox offers a wide range of off-the-shelf products complete with the correct seals and material specifications suitable for medical and scientific applications.

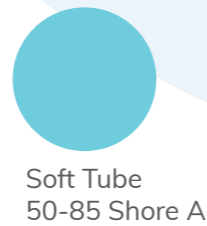
**Our commitment to you...**

- Our commitment to offering high standards of products and services, as well as aftercare, is what makes Eox stand out from other miniature fluid component companies
- With a secure online environment, ability to view previous purchases and quick order function - it couldn't be easier to purchase from Eox
- We have an in-house sales team who will be happy to answer your product questions and suggest alternatives if you can't find what you are looking for
- Solidworks trained engineers - we have a team of in-house trained engineers ready to help with your project

**Our Products**



**Key:**



# Index



Plastic Fittings.....Page 4



Metal Fittings.....Page 78



Plastic Push-In.....Page 96



Metal Push-In.....Page 114



Plastic Luers.....Page 156



Metal Luers.....Page 214

**Disclaimer:** All information has been carefully collated and presented, however, Eox cannot accept responsibility for incorrect or misprinted information. We also reserve the right to amend pricing in line with currency fluctuations.

# Plastic Fittings



## Key features include:

- Optional style and size of connection
- RoHS and REACH compliant
- Compatible tubing available

## Compatible Tubing Available



Soft tubing - 50-85 Shore A



Hard tubing - 90-95 Shore A

## Miniature plastic fittings are vital components in all fluidic applications.

We have a large selection of fittings and adaptors that are suitable for various markets such as medical, scientific, analytical and industrial. Fittings are a vital part in all fluidic applications and with our varied selection you are sure to find the part you are looking for.

There are many different material options available which include Nylon, Polypropylene, Polycarbonate and Kynar. Types of fittings we include are straight, elbows, tees, crosses, panel mounts and accessories. We also offer different styles including barb to barb, barb to thread and threaded adaptors.

Tubing is a perfect partner to our fittings range – throughout we are offering guidance on which is best suited to our fittings: the green dot fittings are compatible with hard tubing and the blue dot fittings are compatible with soft tubing.

## Types of fittings we offer:

### Barb to Barb



### Multi-Barb



### Threaded



### Panel Mount

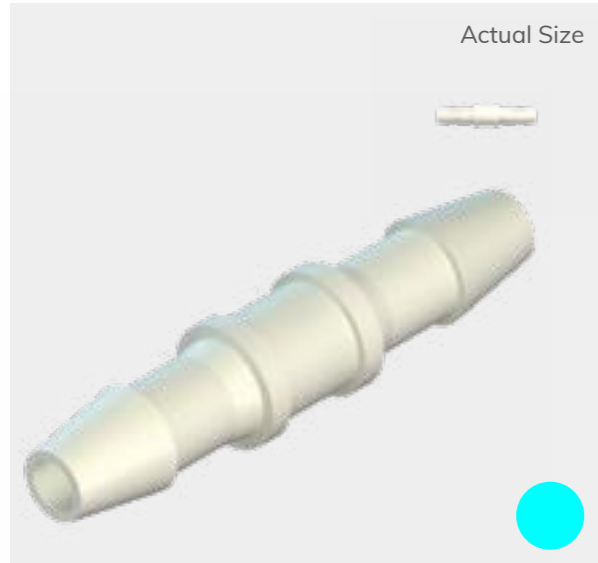


### Accessories



## Straight - Barb to Barb

### E-F-210288 - White Nylon Equal Straight Connector, 1/16" (1.6mm) ID Tube (x2)

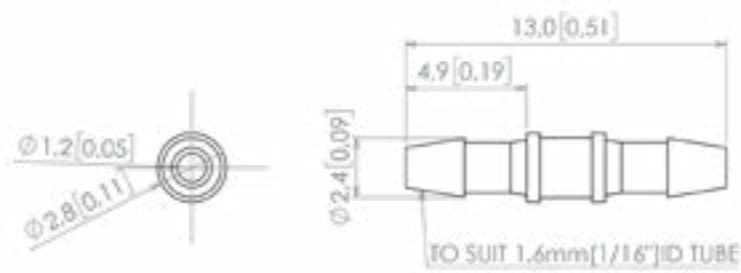


#### Technical Data

**Connections:** 1/16" (1.6mm) ID Tube (x2)  
**Mounting Style:** In-Line  
**Wetted Materials:** Nylon  
**Non-wetted Materials:** Nylon  
**RoHS/REACH Compliant:** Yes  
**Cleanroom Manufactured:** Class 8 (100,000) cleanroom  
**Regulatory Information:** Meets Requirements for FDA 21 CFR 177.1500, California Prop. 65  
**Other Technical Data:** Phthalate Free. Latex Free. DEHP Free. Ozone depleting substances compliant. Compatible with EtO (Ethylene Oxide) sterilisation and can withstand gamma sterilisation to 50kGy.

Price starting from: £0.59

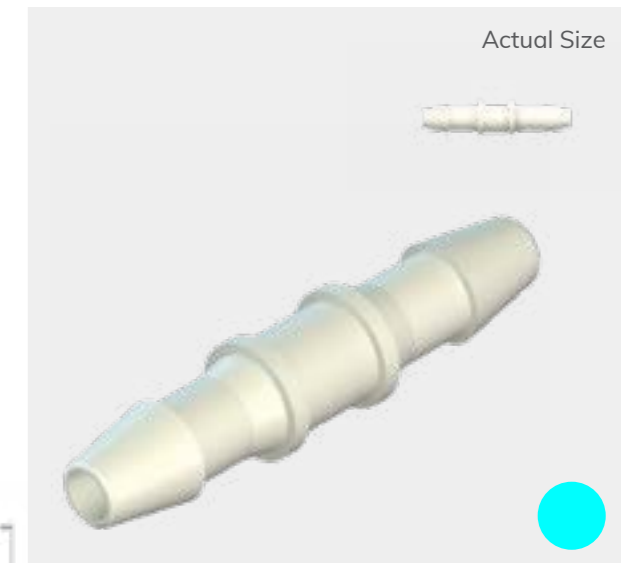
\*Larger quantity price breaks available



### E-F-210290 - White Nylon Equal Straight Connector, 3/32" (2.4mm) ID Tube (x2)

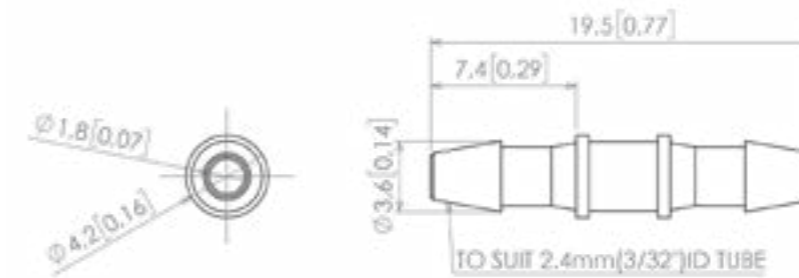
#### Technical Data

**Connections:** 3/32" (2.4mm) ID Tube (x2)  
**Mounting Style:** In-Line  
**Wetted Materials:** Nylon  
**Non-wetted Materials:** Nylon  
**RoHS/REACH Compliant:** Yes  
**Cleanroom Manufactured:** Class 8 (100,000) cleanroom  
**Regulatory Information:** Meets Requirements for FDA 21 CFR 177.1500, California Prop. 65  
**Other Technical Data:** Phthalate Free. BPA Free. DEHP Free. Ozone depleting substances compliant. Compatible with EtO (Ethylene Oxide) sterilisation and can withstand gamma sterilisation to 50kGy.



Price starting from: £0.55

\*Larger quantity price breaks available



#### More from this range



1/8" Animal Free Polypropylene  
E-F-160193



1/8" White ABS  
E-F-160191

#### More from this range



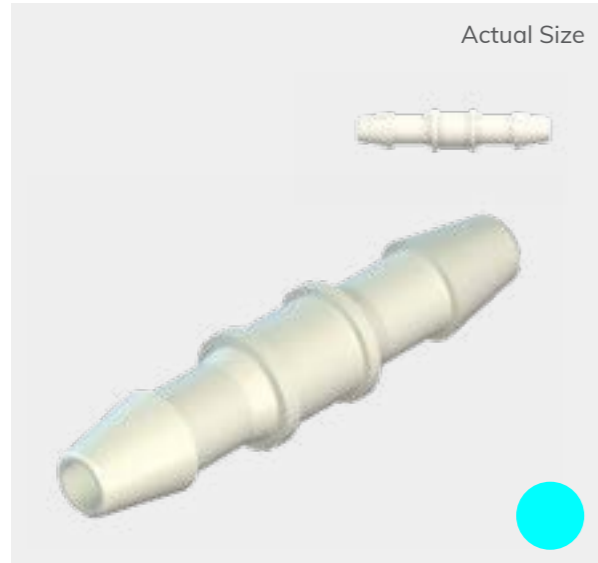
3/32" Animal Free Polypropylene  
E-F-160190



3/32" White ABS  
E-F-160188

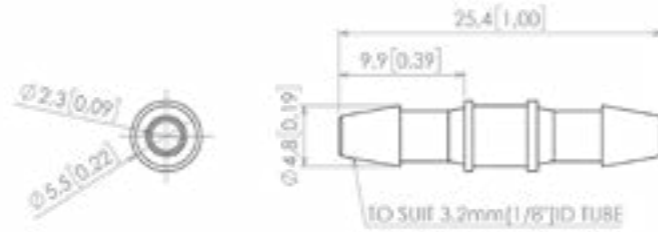
## Straight - Barb to Barb

### E-F-210289 - White Nylon Equal Straight Connector, 1/8" (3.2mm) ID Tube (x2)



#### Technical Data

**Connections:** 1/8" (3.2mm) ID Tube (x2)  
**Mounting Style:** In-Line  
**Wetted Materials:** Nylon  
**Non-wetted Materials:** Nylon  
**RoHS/REACH Compliant:** Yes  
**Cleanroom Manufactured:** Class 8 (100,000) cleanroom  
**Regulatory Information:** Meets Requirements for FDA 21 CFR 177.1500, California Prop. 65  
**Other Technical Data:** Phthalate Free. BPA Free. DEHP Free. Ozone depleting substances compliant. Compatible with EtO (Ethylene Oxide) sterilisation and can withstand gamma sterilisation to 50kGy.



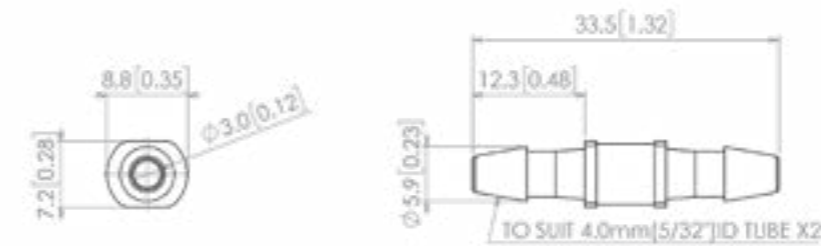
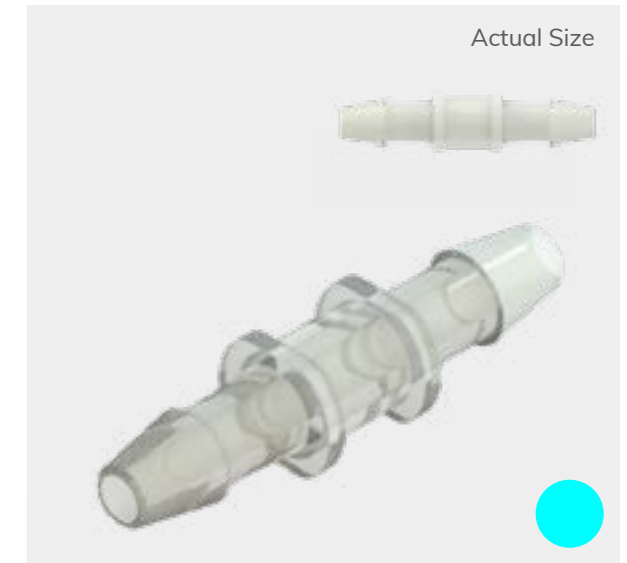
Price starting from: £0.55

\*Larger quantity price breaks available

### E-F-180078 - Natural Nylon Equal Straight Connector, 5/32" (4.0mm) ID Tube (x2)

#### Technical Data

**Connections:** 5/32" (4.0mm) ID Tube (x2)  
**Mounting Style:** In-Line  
**Wetted Materials:** Nylon  
**Non-wetted Materials:** Nylon  
**RoHS/REACH Compliant:** Yes  
**Cleanroom Manufactured:** Class 8 (100,000) cleanroom  
**Regulatory Information:** Meets Requirements for FDA 21 CFR 177.1500, California Prop. 65  
**Other Technical Data:** Phthalate Free. BPA Free. DEHP Free. Ozone depleting substances compliant. Compatible with EtO (Ethylene Oxide) sterilisation and can withstand gamma sterilisation to 50kGy.



Price starting from: £0.58

\*Larger quantity price breaks available

#### More from this range



1/16" Animal Free  
Polypropylene  
E-F-160186



1/16"  
Clear Polycarbonate  
E-F-160187



1/16"  
White ABS  
E-F-160184

#### More from this range



5/32" Animal Free  
Polypropylene  
E-F-180079



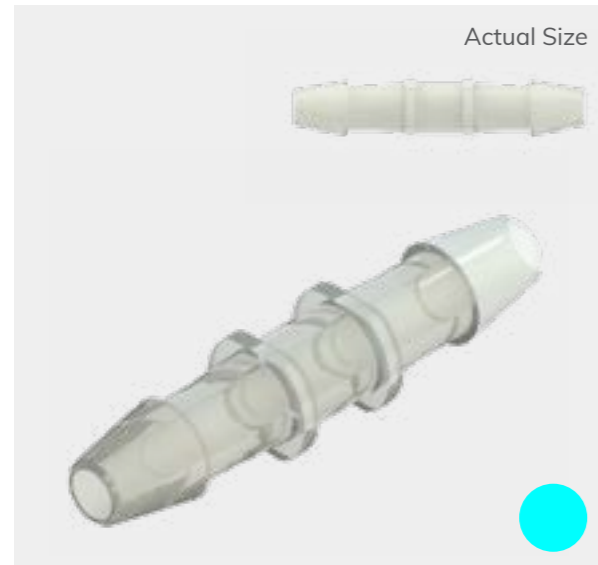
5/32"  
Clear Copolyester  
E-F-190041



5/32"  
Kynar  
E-F-180077

## Straight - Barb to Barb

### E-F-180075 - Natural Nylon Equal Straight Connector, 3/16" (4.8mm) ID Tube (x2)

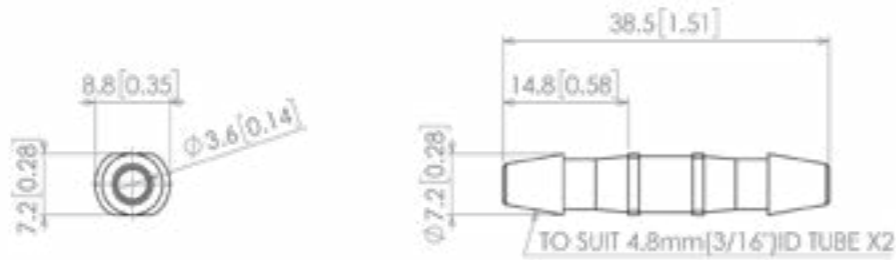


#### Technical Data

**Connections:** 3/16" (4.8mm) ID Tube (x2)  
**Mounting Style:** In-Line  
**Wetted Materials:** Nylon  
**Non-wetted Materials:** Nylon  
**RoHS/REACH Compliant:** Yes  
**Cleanroom Manufactured:** Class 8 (100,000) cleanroom  
**Regulatory Information:** Meets Requirements for FDA 21 CFR 177.1500, California Prop. 65  
**Other Technical Data:** Phthalate Free. BPA Free. DEHP Free. Ozone depleting substances compliant. Compatible with EtO (Ethylene Oxide) sterilisation and can withstand gamma sterilisation to 50kGy.

Price starting from: £0.63

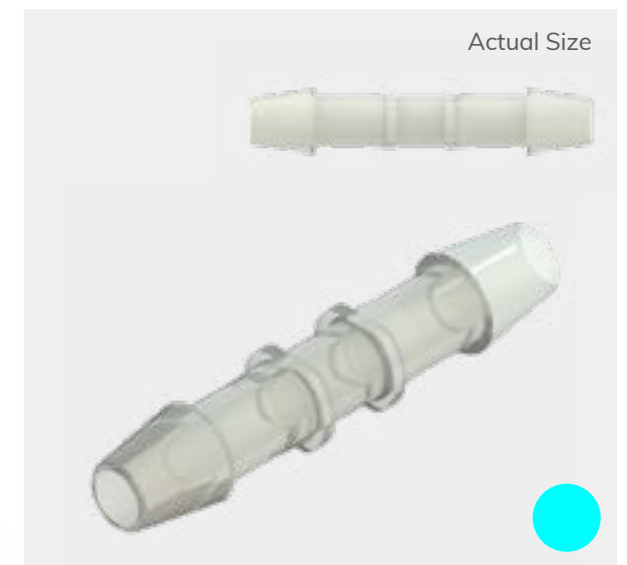
\*Larger quantity price breaks available



### E-F-180072 - Natural Nylon Equal Straight Connector, 1/4" (6.4mm) ID Tube (x2)

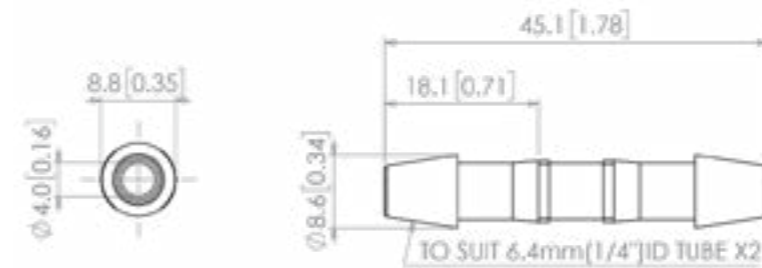
#### Technical Data

**Connections:** 1/4" (6.4mm) ID Tube (x2)  
**Mounting Style:** In-Line  
**Wetted Materials:** Nylon  
**Non-wetted Materials:** Nylon  
**RoHS/REACH Compliant:** Yes  
**Cleanroom Manufactured:** Class 8 (100,000) cleanroom  
**Regulatory Information:** Meets Requirements for FDA 21 CFR 177.1500, California Prop. 65  
**Other Technical Data:** Phthalate Free. BPA Free. DEHP Free. Ozone depleting substances compliant. Compatible with EtO (Ethylene Oxide) sterilisation and can withstand gamma sterilisation to 50kGy.



Price starting from: £0.73

\*Larger quantity price breaks available



#### More from this range



3/16" Animal Free Polypropylene  
E-F-180076



3/16" Clear Copolyester  
E-F-190042



3/16" Kynar  
E-F-180074

#### More from this range



1/4" Animal Free Polypropylene  
E-F-180073



1/4" Clear Copolyester  
E-F-190043



1/4" Kynar  
E-F-180071

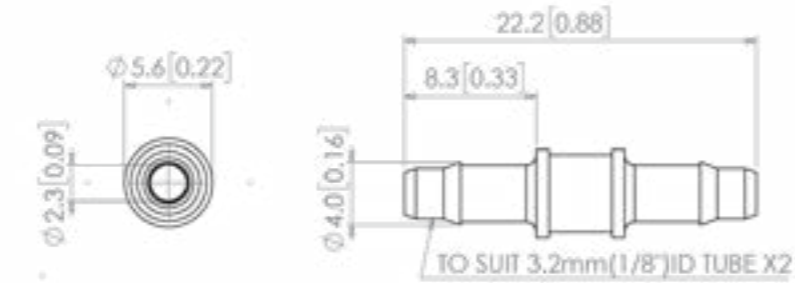
## Straight - Barb to Barb

### E-F-180158 - Animal Free Polypropylene Equal Straight Rigid Barb Connector, 1/8" (3.2mm) ID Tube (x2)



#### Technical Data

**Connections:** 1/8" (3.2mm) ID Tube (x2)  
**Mounting Style:** In-Line  
**Wetted Materials:** Animal Free Polypropylene  
**Non-wetted Materials:** Animal Free Polypropylene  
**RoHS/REACH Compliant:** Yes  
**Cleanroom Manufactured:** Class 8 (100,000) cleanroom  
**Regulatory Information:** Meets Requirements for USP Class VI, FDA 21 CFR 177.1500, ISO 10993-5, California Prop. 65  
**Other Technical Data:** Animal Derivative Free. Phthalate Free. BPA Free. Latex Free. DEHP Free. Highly compatible with EtO (Ethylene Oxide) sterilisation and compatible with gamma sterilisation in the range of 35-40kGy (higher doses may produce a slight colour shift).

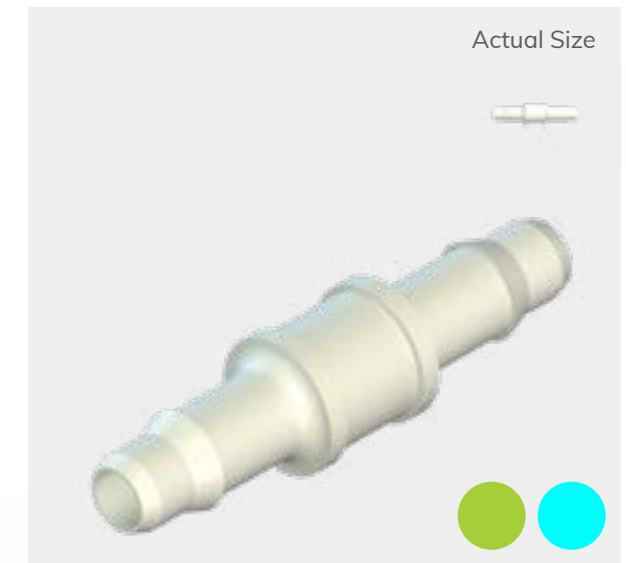


Price starting from: £0.74

\*Larger quantity price breaks available

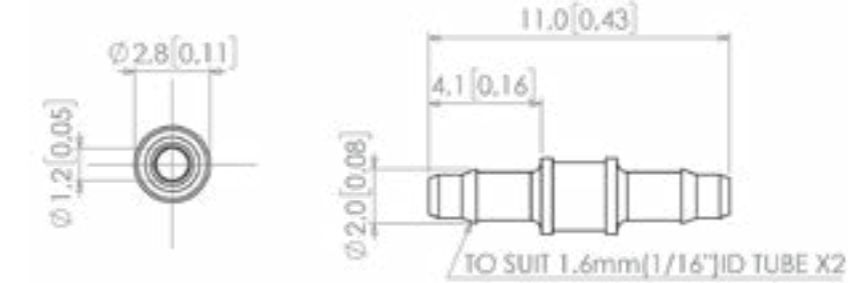
## Straight Connectors - Rigid Barb to Barb

### E-F-210275 - White Nylon Equal Straight Rigid Barb Connector, 1/16" (1.6mm) ID Tube (x2)



#### Technical Data

**Connections:** 1/16" (1.6mm) ID Tube (x2)  
**Mounting Style:** In-Line  
**Wetted Materials:** Nylon  
**Non-wetted Materials:** Nylon  
**RoHS/REACH Compliant:** Yes  
**Cleanroom Manufactured:** Class 8 (100,000) cleanroom  
**Regulatory Information:** Meets Requirements for FDA 21 CFR 177.1500, California Prop. 65  
**Other Technical Data:** Phthalate Free. Latex Free. DEHP Free. Ozone depleting substances compliant. Compatible with EtO (Ethylene Oxide) sterilisation and can withstand gamma sterilisation to 50kGy.



Price starting from: £0.60

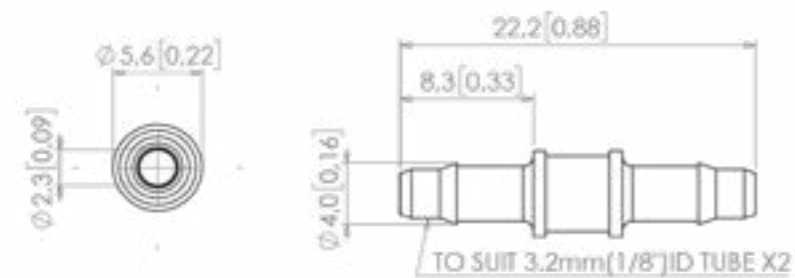
\*Larger quantity price breaks available

### E-F-180156 - Kynar Equal Straight Rigid Barb Connector, 1/8" (3.2mm) ID Tube (x2)



#### Technical Data

**Connections:** 1/8" (3.2mm) ID Tube (x2)  
**Mounting Style:** In-Line  
**Wetted Materials:** Kynar  
**Non-wetted Materials:** Kynar  
**RoHS/REACH Compliant:** Yes  
**Cleanroom Manufactured:** Class 8 (100,000) cleanroom  
**Regulatory Information:** Meets Requirements for USP Class VI, California Prop. 65  
**Other Technical Data:** Phthalate free. BPA free. DEHP free. Latex free. Conflict mineral compliant. Ozone depleting substances compliant. Compatible with high doses of gamma radiation and EtO (Ethylene Oxide) sterilisation.



Price starting from: £1.18

\*Larger quantity price breaks available

### More from this range



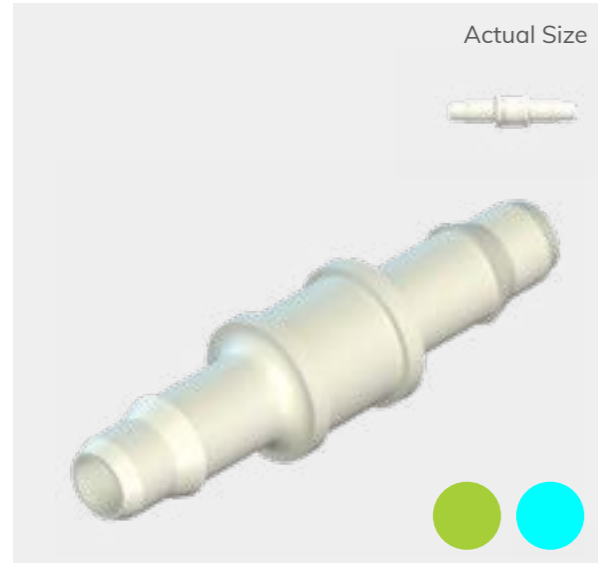
1/16" Animal Free Polypropylene  
E-F-160223



1/16" Kynar  
E-F-160224

## Straight - Rigid Barb to Barb

**E-F-210280** - White Nylon Equal Straight Rigid Barb Connector, 3/32" (2.4mm) ID Tube (x2)

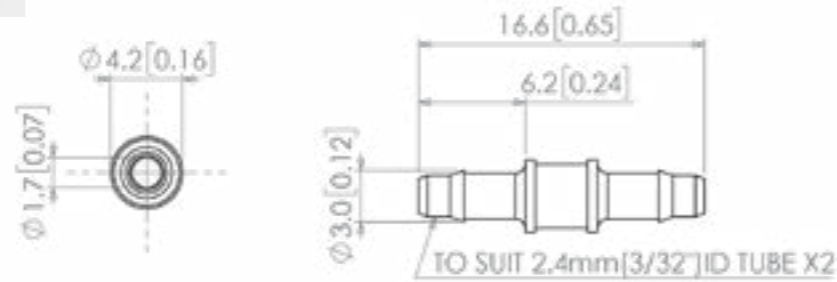


### Technical Data

**Connections:** 3/32" (2.4mm) ID Tube (x2)  
**Mounting Style:** In-Line  
**Wetted Materials:** Nylon  
**Non-wetted Materials:** Nylon  
**RoHS/REACH Compliant:** Yes  
**Cleanroom Manufactured:** Class 8 (100,000) cleanroom  
**Regulatory Information:** Meets Requirements for FDA 21 CFR 177.1500, California Prop. 65  
**Other Technical Data:** Phthalate Free. Latex Free. DEHP Free. Ozone depleting substances compliant. Compatible with EtO (Ethylene Oxide) sterilisation and can withstand gamma sterilisation to 50kGy.

Price starting from: £0.59

\*Larger quantity price breaks available

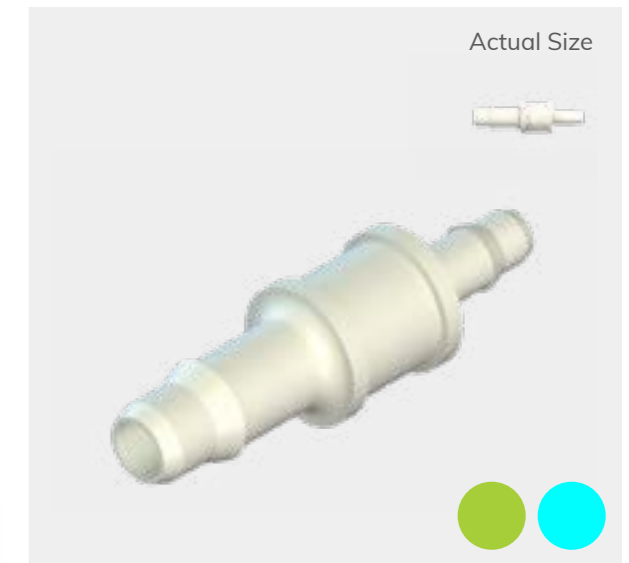


## Straight Connectors - Rigid Reducing Barb to Barb

**E-F-210281** - White Nylon Reducing Straight Rigid Barb Connector, 3/32" (2.4mm) ID Tube to 1/16" (1.6mm) ID Tube

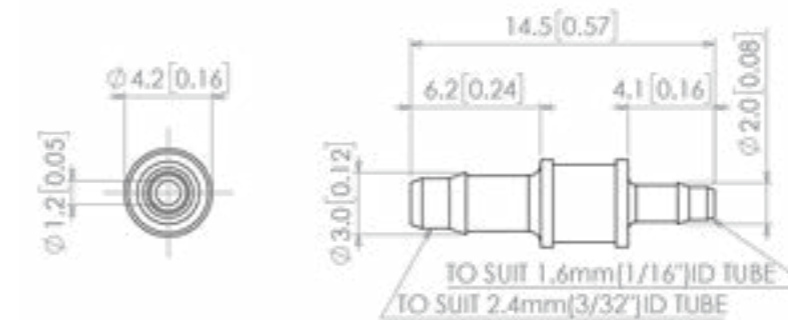
### Technical Data

**Connection 1:** 3/32" (2.4mm) ID Tube  
**Connection 2:** 1/16" (1.6mm) ID Tube  
**Mounting Style:** In-Line  
**Wetted Materials:** Nylon  
**Non-wetted Materials:** Nylon  
**RoHS/REACH Compliant:** Yes  
**Cleanroom Manufactured:** Class 8 (100,000) cleanroom  
**Regulatory Information:** Meets Requirements for FDA 21 CFR 177.1500, California Prop. 65  
**Other Technical Data:** Phthalate Free. Latex Free. DEHP Free. Ozone depleting substances compliant. Compatible with EtO (Ethylene Oxide) sterilisation and can withstand gamma sterilisation to 50kGy.



Price starting from: £0.59

\*Larger quantity price breaks available



### More from this range



3/32" Animal Free  
Polypropylene  
E-F-160226



3/32"  
Kynar  
E-F-160227

### More from this range



3/32" to 1/16" Animal  
Free Polypropylene  
E-F-160229

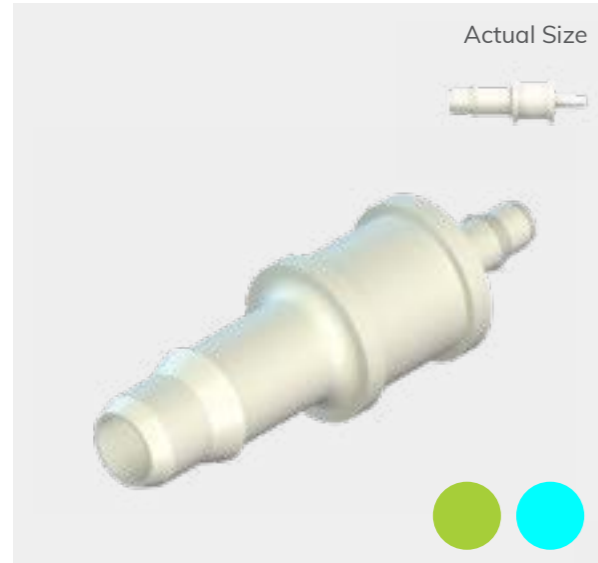


3/32" to 1/16"  
Kynar  
E-F-160230



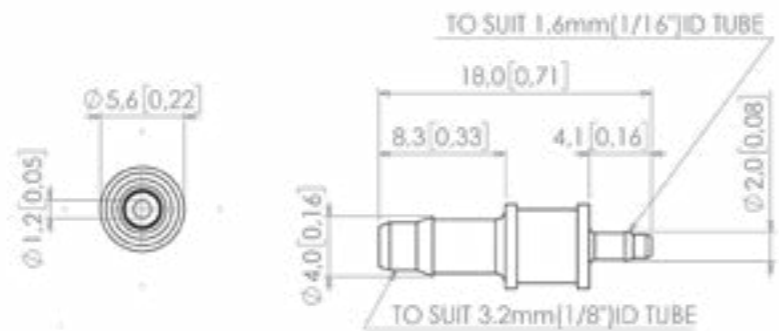
## Straight Connectors - Reducing/Rigid Barb to Barb

**E-F-210278** - White Nylon Reducing Straight Rigid Barb Connector, 1/8" (3.2mm) ID Tube to 1/16" (1.6mm) ID Tube



### Technical Data

**Connection 1:** 1/8" (3.2mm) ID Tube  
**Connection 2:** 1/16" (1.6mm) ID Tube  
**Mounting Style:** In-Line  
**Wetted Materials:** Nylon  
**Non-wetted Materials:** Nylon  
**RoHS/REACH Compliant:** Yes  
**Cleanroom Manufactured:** Class 8 (100,000) cleanroom  
**Regulatory Information:** Meets Requirements for FDA 21 CFR 177.1500, California Prop. 65  
**Other Technical Data:** Phthalate Free. Latex Free. DEHP Free. Ozone depleting substances compliant. Compatible with EtO (Ethylene Oxide) sterilisation and can withstand gamma sterilisation to 50kGy.

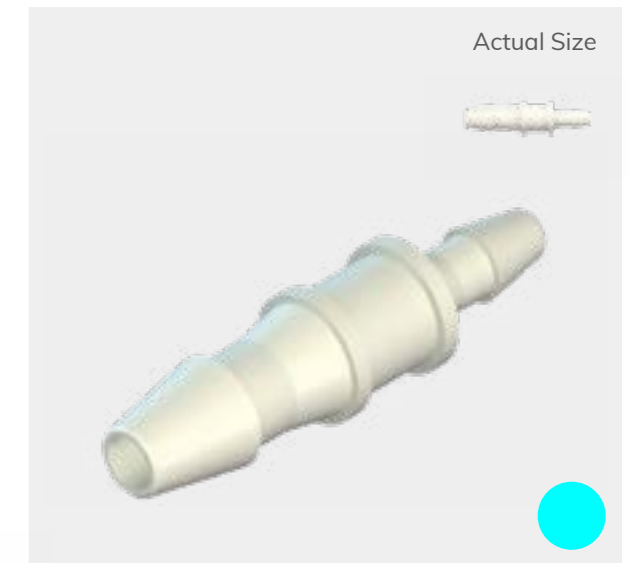


Price starting from: £0.59

\*Larger quantity price breaks available

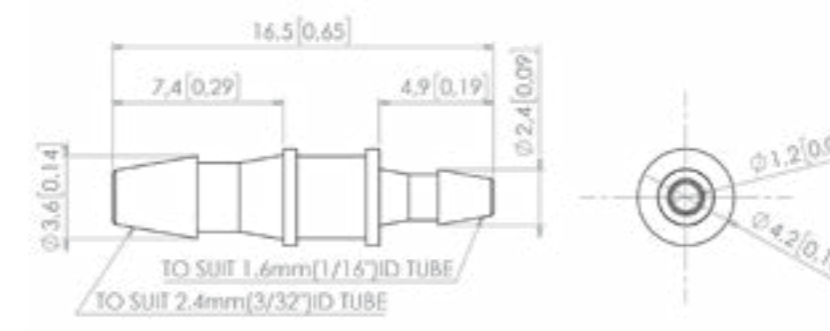
## Straight Connectors - Reducing Barb to Barb

**E-F-210271** - White Nylon Reducing Straight Connector, 3/32" (2.4mm) ID Tube to 1/16" (1.6mm) ID Tube



### Technical Data

**Connection 1:** 3/32" (2.4mm) ID Tube  
**Connection 2:** 1/16" (1.6mm) ID Tube  
**Mounting Style:** In-Line  
**Wetted Materials:** Nylon  
**Non-wetted Materials:** Nylon  
**RoHS/REACH Compliant:** Yes  
**Cleanroom Manufactured:** Class 8 (100,000) cleanroom  
**Regulatory Information:** Meets Requirements for FDA 21 CFR 177.1500, California Prop. 65  
**Other Technical Data:** Phthalate Free. Latex Free. DEHP Free. Ozone depleting substances compliant. Compatible with EtO (Ethylene Oxide) sterilisation and can withstand gamma sterilisation to 50kGy.



Price starting from: £0.54

\*Larger quantity price breaks available

### More from this range



1/8" to 1/16" Animal Free Polypropylene  
E-F-190060



1/8" to 1/16" Kynar  
E-F-190061



1/8" to 3/32" White Nylon  
E-F-210279



1/8" to 3/32" Animal Free Polypropylene  
E-F-180161



1/8" to 3/32" Kynar  
E-F-180159

### More from this range



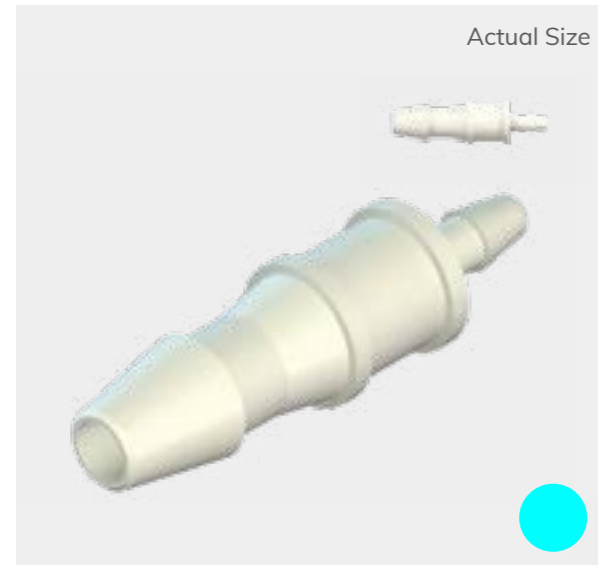
3/32" to 1/16" Animal Free Polypropylene  
E-F-160220



3/32" to 1/16" Kynar  
E-F-160221

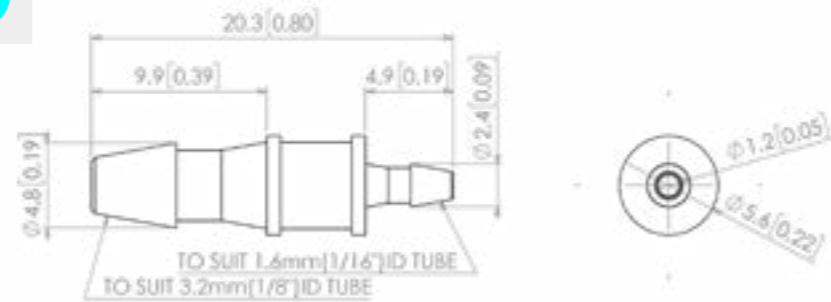
## Straight Connectors - Reducing Barb to Barb

### E-F-210268 - White Nylon Reducing Straight Connector, 1/8" (3.2mm) ID Tube to 1/16" (1.6mm) ID Tube



#### Technical Data

**Connection 1:** 1/8" (3.2mm) ID Tube  
**Connection 2:** 1/16" (1.6mm) ID Tube  
**Mounting Style:** In-Line  
**Wetted Materials:** Nylon  
**Non-wetted Materials:** Nylon  
**RoHS/REACH Compliant:** Yes  
**Cleanroom Manufactured:** Class 8 (100,000) cleanroom  
**Regulatory Information:** Meets Requirements for FDA 21 CFR 177.1500, California Prop. 65  
**Other Technical Data:** Phthalate Free. BPA Free. DEHP Free. Ozone depleting substances compliant. Compatible with EtO (Ethylene Oxide) sterilisation and can withstand gamma sterilisation to 50kGy.



Price starting from: £0.65

\*Larger quantity price breaks available

### E-F-180135 - Natural Nylon Reducing Straight Connector, 5/32" (4.0mm) ID Tube to 3/32" (2.4mm) ID Tube

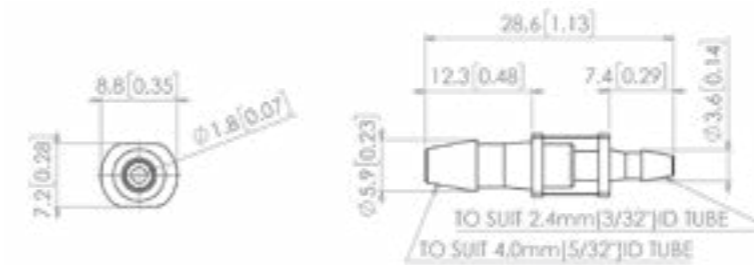
#### Technical Data

**Connection 1:** 5/32" (4.0mm) ID Tube  
**Connection 2:** 3/32" (2.4mm) ID Tube  
**Mounting Style:** In-Line  
**Wetted Materials:** Nylon  
**Non-wetted Materials:** Nylon  
**RoHS/REACH Compliant:** Yes  
**Cleanroom Manufactured:** Class 8 (100,000) cleanroom  
**Regulatory Information:** Meets Requirements for FDA 21 CFR 177.1500, California Prop. 65  
**Other Technical Data:** Phthalate Free. BPA Free. DEHP Free. Ozone depleting substances compliant. Compatible with EtO (Ethylene Oxide) sterilisation and can withstand gamma sterilisation to 50kGy.



Price starting from: £0.61

\*Larger quantity price breaks available



#### More from this range



1/8" to 1/16" Animal Free Polypropylene  
E-F-160214



1/8" to 1/16" Kynar  
E-F-160215



1/8" to 3/32" White Nylon  
E-F-210270



1/8" to 3/32" Animal Free Polypropylene  
E-F-160217



1/8" to 3/32" Kynar  
E-F-160218

#### More from this range



5/32" to 3/32" Animal Free Polypropylene  
E-F-180136



5/32" to 3/32" Kynar  
E-F-180134



5/32" to 1/8" Natural Nylon  
E-F-180138



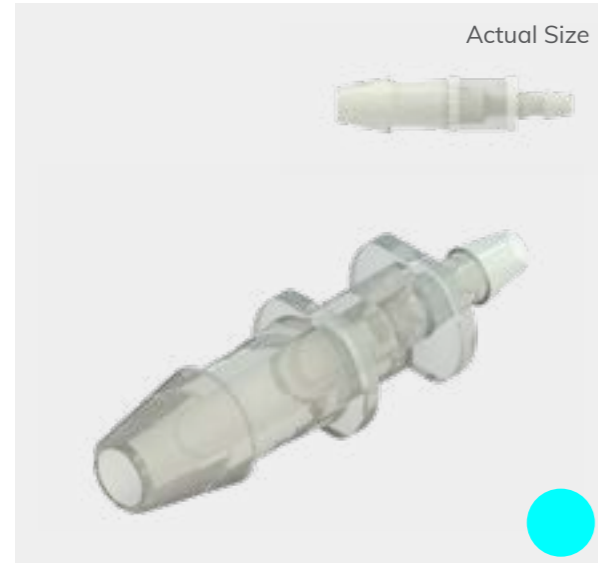
5/32" to 1/8" Animal Free Polypropylene  
E-F-180139



5/32" to 1/8" Kynar  
E-F-180137

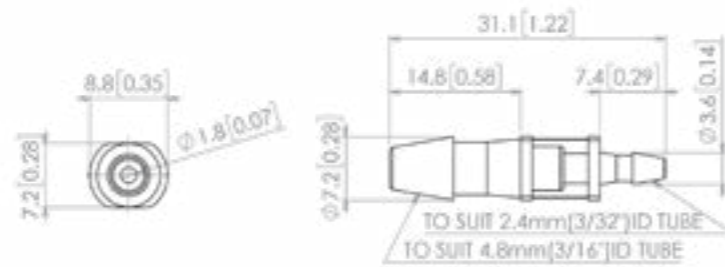
## Straight Connectors - Reducing Barb to Barb

### E-F-180141 - Natural Nylon Reducing Straight Connector, 3/16" (4.8mm) ID Tube to 3/32" (2.4mm) ID Tube



#### Technical Data

**Connection 1:** 3/16" (4.8mm) ID Tube  
**Connection 2:** 3/32" (2.4mm) ID Tube  
**Mounting Style:** In-Line  
**Wetted Materials:** Nylon  
**Non-wetted Materials:** Nylon  
**RoHS/REACH Compliant:** Yes  
**Cleanroom Manufactured:** Class 8 (100,000) cleanroom  
**Regulatory Information:** Meets Requirements for FDA 21 CFR 177.1500, California Prop. 65  
**Other Technical Data:** Phthalate Free. BPA Free. DEHP Free. Ozone depleting substances compliant. Compatible with EtO (Ethylene Oxide) sterilisation and can withstand gamma sterilisation to 50kGy.



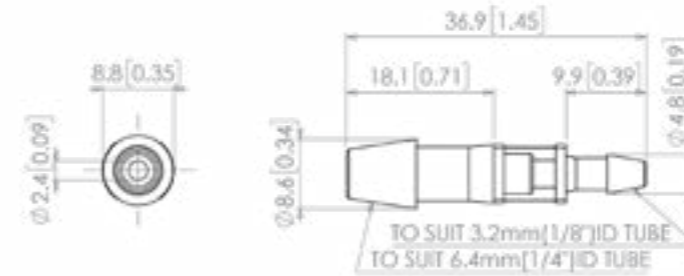
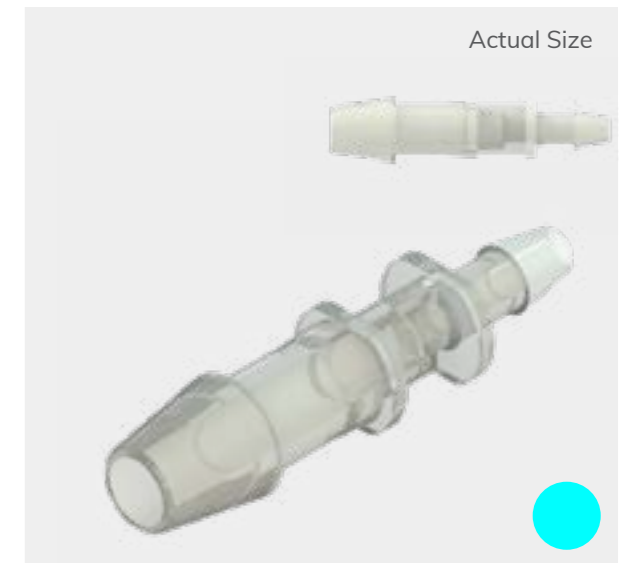
Price starting from: £0.61

\*Larger quantity price breaks available

### E-F-180149 - Natural Nylon Reducing Straight Connector, 1/4" (6.4mm) ID Tube to 1/8" (3.2mm) ID Tube

#### Technical Data

**Connection 1:** 1/4" (6.4mm) ID Tube  
**Connection 2:** 1/8" (3.2mm) ID Tube  
**Mounting Style:** In-Line  
**Wetted Materials:** Nylon  
**Non-wetted Materials:** Nylon  
**RoHS/REACH Compliant:** Yes  
**Cleanroom Manufactured:** Class 8 (100,000) cleanroom  
**Regulatory Information:** Meets Requirements for FDA 21 CFR 177.1500, California Prop. 65  
**Other Technical Data:** Phthalate Free. BPA Free. DEHP Free. Ozone depleting substances compliant. Compatible with EtO (Ethylene Oxide) sterilisation and can withstand gamma sterilisation to 50kGy.



Price starting from: £0.58

\*Larger quantity price breaks available

#### More from this range



3/16" to 3/32" Animal Free Polypropylene  
E-F-180142



3/16" to 3/32" Kynar  
E-F-180140



3/16" to 1/8" Natural Nylon  
E-F-180144



3/16" to 1/8" Animal Free Polypropylene  
E-F-180145



3/16" to 1/8" Kynar  
E-F-180143



3/16" to 5/32" Natural Nylon  
E-F-180147



3/16" to 5/32" Animal Free Polypropylene  
E-F-180125



3/16" to 5/32" Kynar  
E-F-180146

#### More from this range



1/4" to 1/8" Animal Free Polypropylene  
E-F-180150



1/4" to 1/8" Kynar  
E-F-180148



1/4" to 5/32" Natural Nylon  
E-F-180152



1/4" to 5/32" Animal Free Polypropylene  
E-F-180153



1/4" to 5/32" Kynar  
E-F-180151



1/4" to 3/16" Natural Nylon  
E-F-180155



1/4" to 3/16" Animal Free Polypropylene  
E-F-180126



1/4" to 3/16" Kynar  
E-F-180154

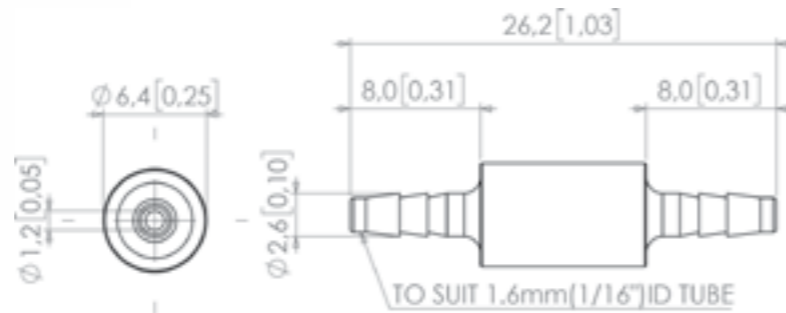
## Straight Connectors - Multi Barb

### E-F-170614 - Black Polysulfone Equal Straight Multi Barb Connector, 1/16" (1.6mm) ID Tube (x2)



#### Technical Data

Max. Inlet Pressure: 8.62 bar (125 psi)  
 Connections: 1/16" (1.6mm) ID Tube (x2)  
 Mounting Style: In-Line  
 Wetted Materials: Polysulfone  
 Non-wetted Materials: Polysulfone  
 RoHS/REACH Compliant: Yes  
 Cleanroom Manufactured: No  
 Other Technical Data: Suitable for compressed air and vacuum.



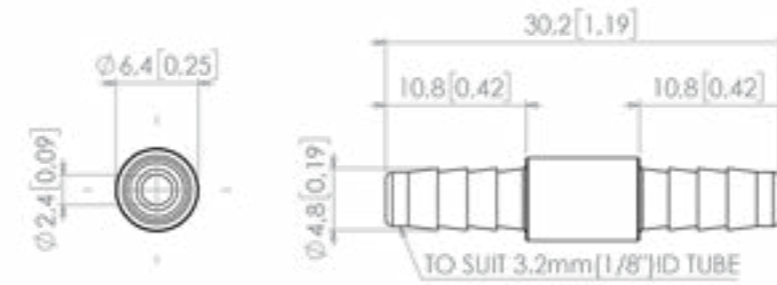
Price starting from: £1.38

\*Larger quantity price breaks available

### E-F-170615 - Black Polysulfone Equal Straight Multi Barb Connector, 1/8" (3.2mm) ID Tube (x2)

#### Technical Data

Max. Inlet Pressure: 8.62 bar (125 psi)  
 Connections: 1/8" (3.2mm) ID Tube (x2)  
 Mounting Style: In-Line  
 Wetted Materials: Polysulfone  
 Non-wetted Materials: Polysulfone  
 RoHS/REACH Compliant: Yes  
 Cleanroom Manufactured: No  
 Other Technical Data: Suitable for compressed air and vacuum.



Price starting from: £1.38

\*Larger quantity price breaks available

#### More from this range



1/16"  
 Grey Polypropylene  
 E-F-170619



1/16"  
 Black Nylon  
 E-F-170618

#### More from this range



1/8"  
 Grey Polypropylene  
 E-F-170621



1/8"  
 Black Nylon  
 E-F-170620



1/8" to 1/16"  
 Black Polysulfone  
 E-F-170617

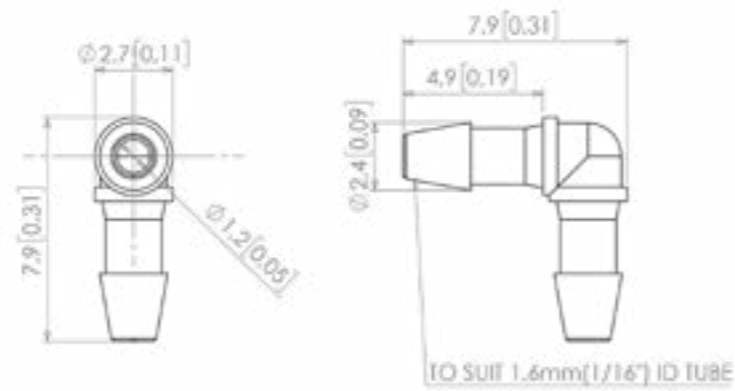
## Elbow Connectors - Barb to Barb

### E-F-210291 - White Nylon Equal Elbow Connector, 1/16" (1.6mm) ID Tube (x2)



#### Technical Data

**Connections:** 1/16" (1.6mm) ID Tube (x2)  
**Mounting Style:** In-Line  
**Wetted Materials:** Nylon  
**Non-wetted Materials:** Nylon  
**RoHS/REACH Compliant:** Yes  
**Cleanroom Manufactured:** Class 8 (100,000) cleanroom  
**Regulatory Information:** Meets Requirements for FDA 21 CFR 177.1500, California Prop. 65  
**Other Technical Data:** Phthalate Free. BPA Free. DEHP Free. Ozone depleting substances compliant. Compatible with EtO (Ethylene Oxide) sterilisation and can withstand gamma sterilisation to 50kGy.



Price starting from: £0.54

\*Larger quantity price breaks available

#### More from this range



1/16" Animal Free Polypropylene  
E-F-160196



1/16" White ABS  
E-F-160194



3/32" White ABS  
E-F-160198

## We have the perfect tubing for your application

#### Material Options:

- Kynar®
- LLDPE
- Nylon
- Polyethylene
- Polyurethane
- PVC
- Silicone
- TPE

#### Key Features:

- Different shore hardness
- Offered in Imperial and Metric
- Suitable in some cases for Biomedical & Bioprocess applications
- Optional application functionality includes Antimicrobial and Un-reinforced PVC



 Hard Tube Compatible  
90-95 Shore A

 Soft Tube Compatible  
50-85 Shore A

#### Custom Solutions

Our technical teams may advise on the different tube resistances we have within our range and their resistance measurement to indentation or bending



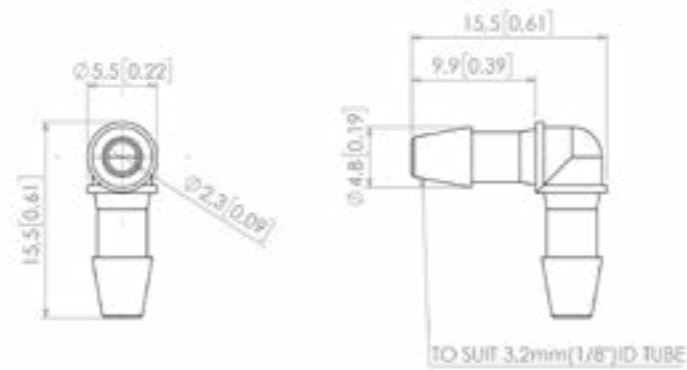
## Elbow Connectors - Barb to Barb

### E-F-210292 - White Nylon Equal Elbow Connector, 1/8" (3.2mm) ID Tube (x2)



#### Technical Data

**Connections:** 1/8" (3.2mm) ID Tube (x2)  
**Mounting Style:** In-Line  
**Wetted Materials:** Nylon  
**Non-wetted Materials:** Nylon  
**RoHS/REACH Compliant:** Yes  
**Cleanroom Manufactured:** Class 8 (100,000) cleanroom  
**Regulatory Information:** Meets Requirements for FDA 21 CFR 177.1500, California Prop. 65  
**Other Technical Data:** Phthalate Free. BPA Free. DEHP Free. Ozone depleting substances compliant. Compatible with EtO (Ethylene Oxide) sterilisation and can withstand gamma sterilisation to 50kGy.



Price starting from: £0.59

\*Larger quantity price breaks available

### E-F-180086 - Natural Nylon Equal Elbow Connector, 5/32" (4.0mm) ID Tube (x2)

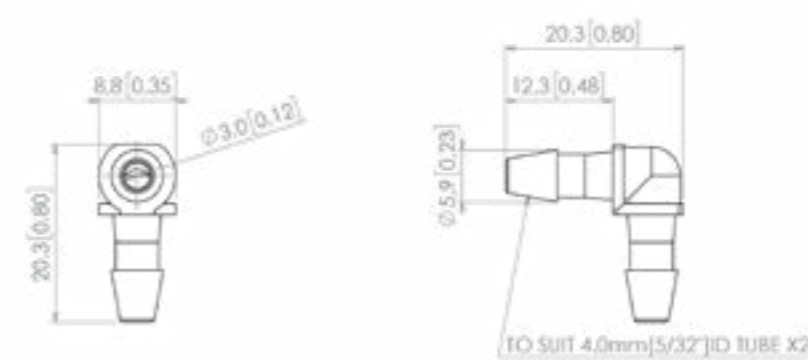
#### Technical Data

**Connections:** 5/32" (4.0mm) ID Tube (x2)  
**Mounting Style:** In-Line  
**Wetted Materials:** Nylon  
**Non-wetted Materials:** Nylon  
**RoHS/REACH Compliant:** Yes  
**Cleanroom Manufactured:** Class 8 (100,000) cleanroom  
**Regulatory Information:** Meets Requirements for FDA 21 CFR 177.1500, California Prop. 65  
**Other Technical Data:** Phthalate Free. BPA Free. DEHP Free. Ozone depleting substances compliant. Compatible with EtO (Ethylene Oxide) sterilisation and can withstand gamma sterilisation to 50kGy.



Price starting from: £0.92

\*Larger quantity price breaks available



#### More from this range



1/8" Animal Free  
Polypropylene  
E-F-160203



1/8"  
White ABS  
E-F-160201

#### More from this range



5/32" Animal Free  
Polypropylene  
E-F-180087



5/32"  
Clear Copolyester  
E-F-190044



5/32"  
Kynar  
E-F-180085

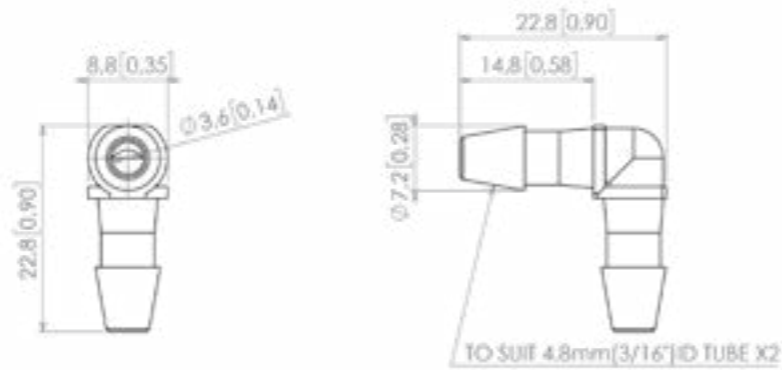
## Elbow Connectors - Barb to Barb

### E-F-180083 - Natural Nylon Equal Elbow Connector, 3/16" (4.8mm) ID Tube (x2)



#### Technical Data

**Connections:** 3/16" (4.8mm) ID Tube (x2)  
**Mounting Style:** In-Line  
**Wetted Materials:** Nylon  
**Non-wetted Materials:** Nylon  
**RoHS/REACH Compliant:** Yes  
**Cleanroom Manufactured:** Class 8 (100,000) cleanroom  
**Regulatory Information:** Meets Requirements for FDA 21 CFR 177.1500, California Prop. 65  
**Other Technical Data:** A Natural Nylon equal elbow connector with barbs to suit 3/16" (4.8mm) ID tube (x2). Phthalate Free. BPA Free. DEHP Free. Ozone depleting substances compliant. Compatible with EtO (Ethylene Oxide) sterilisation and can withstand gamma sterilisation to 50kGy.



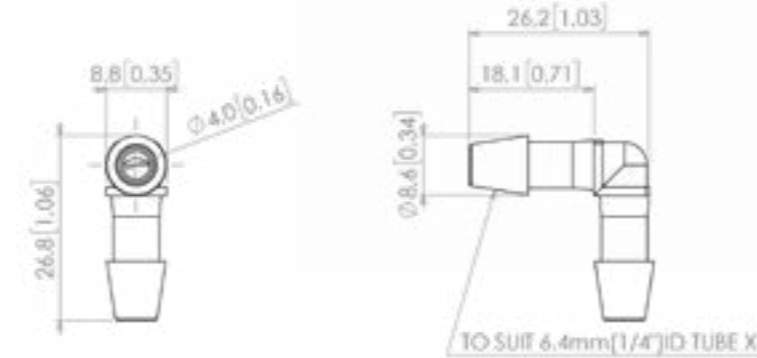
Price starting from: £1.06

\*Larger quantity price breaks available

### E-F-180131 - Natural Nylon Equal Elbow Connector, 1/4" (6.4mm) ID Tube (x2)

#### Technical Data

**Connections:** 1/4" (6.4mm) ID Tube (x2)  
**Mounting Style:** In-Line  
**Wetted Materials:** Nylon  
**Non-wetted Materials:** Nylon  
**RoHS/REACH Compliant:** Yes  
**Cleanroom Manufactured:** Class 8 (100,000) cleanroom  
**Regulatory Information:** Meets Requirements for FDA 21 CFR 177.1500, California Prop. 65  
**Other Technical Data:** A Natural Nylon equal elbow connector with barbs to suit 1/4" (6.4mm) ID tube (x2). Phthalate Free. BPA Free. DEHP Free. Ozone depleting substances compliant. Compatible with EtO (Ethylene Oxide) sterilisation and can withstand gamma sterilisation to 50kGy.



Price starting from: £1.22

\*Larger quantity price breaks available

#### More from this range



3/16" Animal Free Polypropylene  
E-F-180084



3/16" Clear Copolyester  
E-F-190045



3/16" Kynar  
E-F-180082

#### More from this range



1/4" Animal Free Polypropylene  
E-F-180081



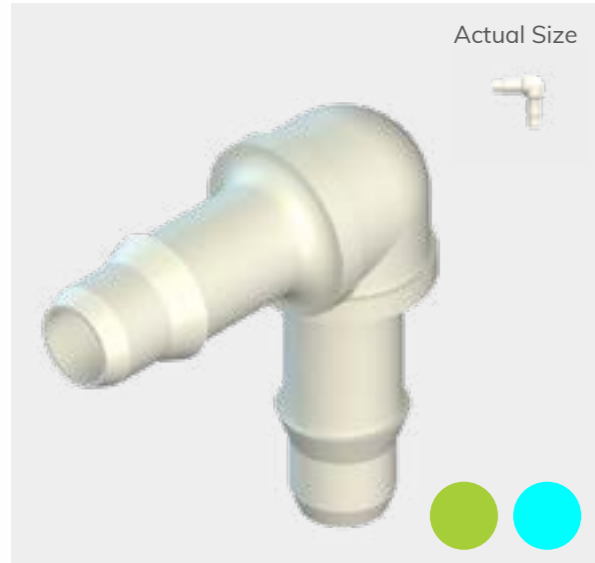
1/4" Clear Copolyester  
E-F-190046



1/4" Kynar  
E-F-180080

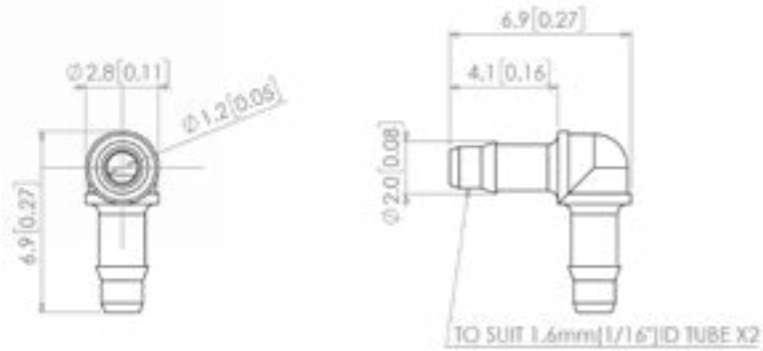
## Elbow Connectors - Rigid Barb to Barb

### E-F-210298 - White Nylon Equal Elbow Rigid Barb Connector, 1/16" (1.6mm) ID Tube (x2)



#### Technical Data

**Connections:** 1/16" (1.6mm) ID Tube (x2)  
**Mounting Style:** In-Line  
**Wetted Materials:** Nylon  
**Non-wetted Materials:** Nylon  
**RoHS/REACH Compliant:** Yes  
**Cleanroom Manufactured:** Class 8 (100,000) cleanroom  
**Regulatory Information:** Meets Requirements for FDA 21 CFR 177.1500, California Prop. 65  
**Other Technical Data:** Phthalate Free. BPA Free. DEHP Free. Ozone depleting substances compliant. Compatible with EtO (Ethylene Oxide) sterilisation and can withstand gamma sterilisation to 50kGy.



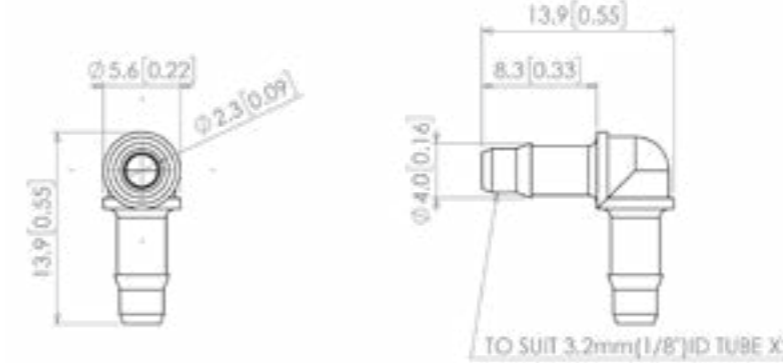
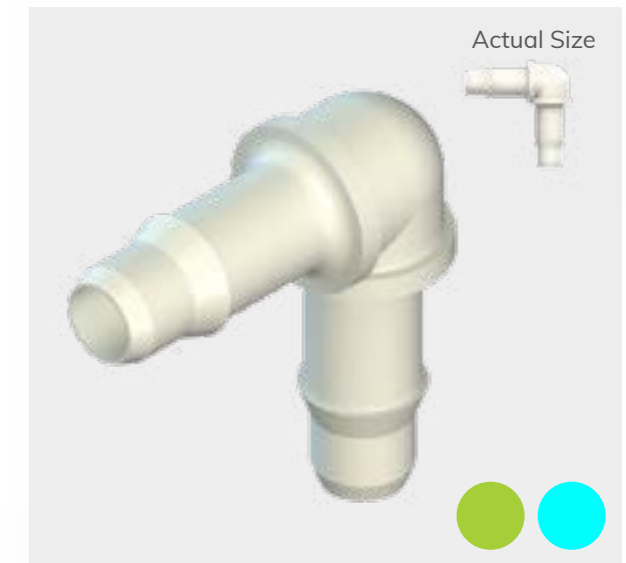
Price starting from: £0.66

\*Larger quantity price breaks available

### E-F-210316 - White Nylon Equal Elbow Rigid Barb Connector, 1/8" (3.2mm) ID Tube (x2)

#### Technical Data

**Connections:** 1/8" (3.2mm) ID Tube (x2)  
**Mounting Style:** In-Line  
**Wetted Materials:** Nylon  
**Non-wetted Materials:** Nylon  
**RoHS/REACH Compliant:** Yes  
**Cleanroom Manufactured:** Class 8 (100,000) cleanroom  
**Regulatory Information:** Meets Requirements for FDA 21 CFR 177.1500, California Prop. 65  
**Other Technical Data:** Phthalate Free. BPA Free. DEHP Free. Ozone depleting substances compliant. Compatible with EtO (Ethylene Oxide) sterilisation and can withstand gamma sterilisation to 50kGy.



Price starting from: £0.67

\*Larger quantity price breaks available

#### More from this range



1/16" Animal Free  
Polypropylene  
E-F-160235



1/16"  
Kynar  
E-F-160236

#### More from this range



1/8" Animal Free  
Polypropylene  
E-F-180006

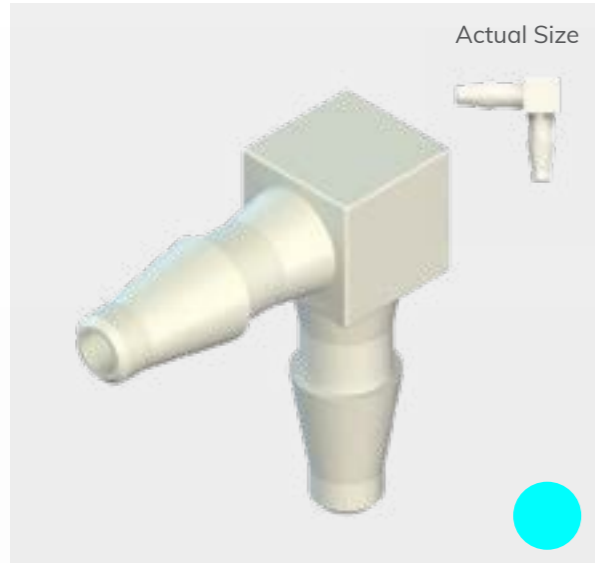


1/8"  
Kynar  
E-F-180162



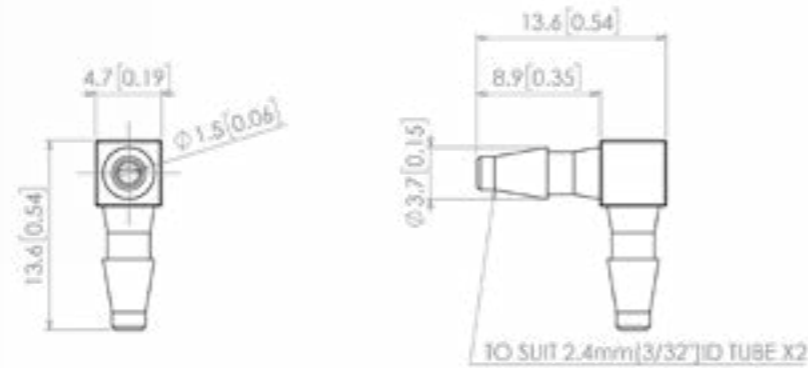
## Elbow Connectors - Barb to Barb Square Grip

### E-F-210297 - White Nylon Equal Elbow Connector (Square Grip Body), 3/32" (2.4mm) ID Tube (x2)



#### Technical Data

**Connections:** 3/32" (2.4mm) ID Tube (x2)  
**Mounting Style:** In-Line  
**Wetted Materials:** Nylon  
**Non-wetted Materials:** Nylon  
**RoHS/REACH Compliant:** Yes  
**Cleanroom Manufactured:** Class 8 (100,000) cleanroom  
**Regulatory Information:** Meets Requirements for FDA 21 CFR 177.1500, California Prop. 65  
**Other Technical Data:** Phthalate Free. BPA Free. DEHP Free. Ozone depleting substances compliant. Compatible with EtO (Ethylene Oxide) sterilisation and can withstand gamma sterilisation to 50kGy.



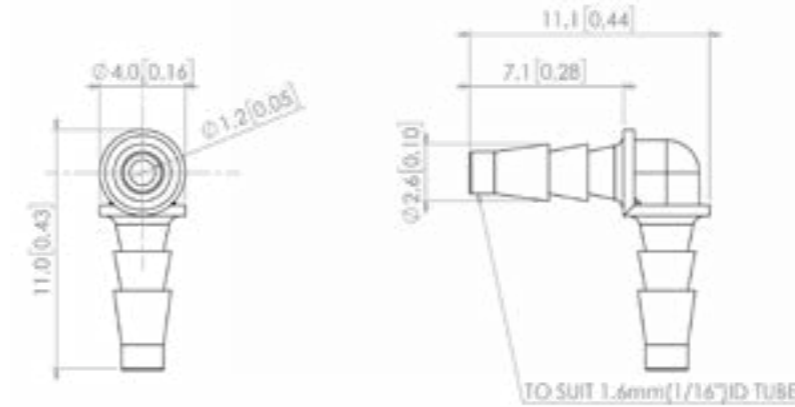
Price starting from: £0.68

\*Larger quantity price breaks available

### E-F-170622 - Black Nylon Equal Elbow Multi Barb Connector, 1/16" (1.6mm) ID Tube (x2)

#### Technical Data

**Max. Inlet Pressure:** 8.62 bar (125 psi)  
**Connections:** 1/16" (1.6mm) ID Tube (x2)  
**Mounting Style:** In-Line  
**Wetted Materials:** Nylon  
**Non-wetted Materials:** Nylon  
**RoHS/REACH Compliant:** Yes  
**Cleanroom Manufactured:** No  
**Other Technical Data:** Suitable for compressed air and vacuum.



Price starting from: £0.98

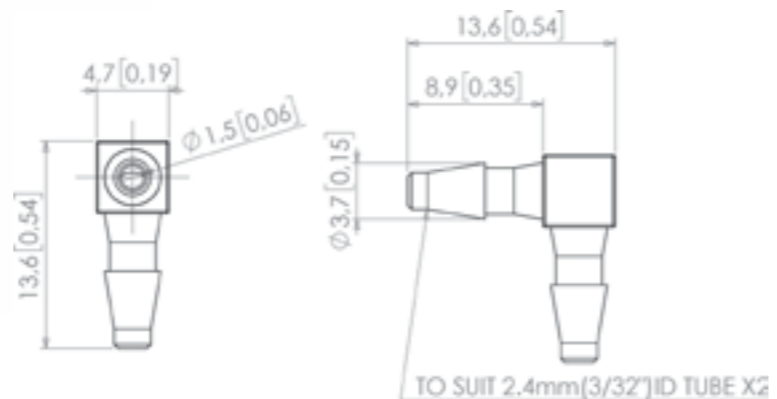
\*Larger quantity price breaks available

### E-F-160233 - Kynar Equal Elbow Connector (Square Grip Body), 3/32" (2.4mm) ID Tube (x2)



#### Technical Data

**Connections:** 3/32" (2.4mm) ID Tube (x2)  
**Mounting Style:** In-Line  
**Wetted Materials:** Kynar  
**Non-wetted Materials:** Kynar  
**RoHS/REACH Compliant:** Yes  
**Cleanroom Manufactured:** Class 8 (100,000) cleanroom  
**Regulatory Information:** Meets Requirements for USP Class VI, California Prop. 65  
**Other Technical Data:** Phthalate Free. BPA Free. DEHP Free. Ozone depleting substances compliant. Compatible with EtO (Ethylene Oxide) sterilisation and can withstand gamma sterilisation to 50kGy.



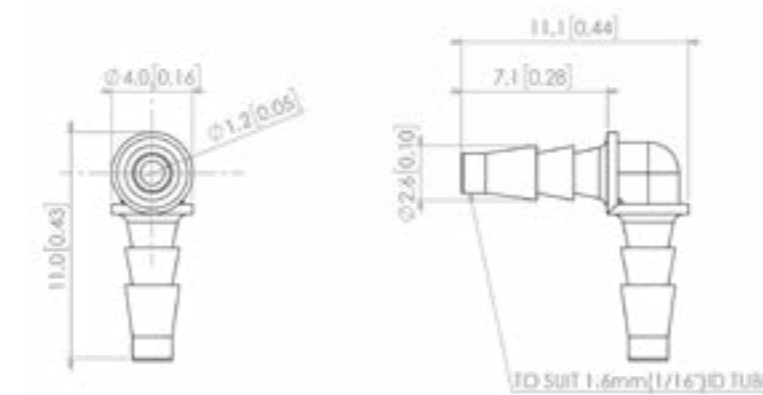
Price starting from: £1.27

\*Larger quantity price breaks available

### E-F-170623 - Grey Polypropylene Equal Elbow Multi Barb Connector, 1/16" (1.6mm) ID Tube (x2)

#### Technical Data

**Max. Inlet Pressure:** 8.62 bar (125 psi)  
**Connections:** 1/16" (1.6mm) ID Tube (x2)  
**Mounting Style:** In-Line  
**Wetted Materials:** Polypropylene  
**Non-wetted Materials:** Polypropylene  
**RoHS/REACH Compliant:** Yes  
**Cleanroom Manufactured:** No  
**Other Technical Data:** Suitable for compressed air and vacuum.



Price starting from: £0.98

\*Larger quantity price breaks available

## Elbow Connectors - Multi Barb

### E-F-170624 - Black Nylon Equal Elbow Multi Barb Connector, 1/8" (3.2mm) ID Tube (x2)

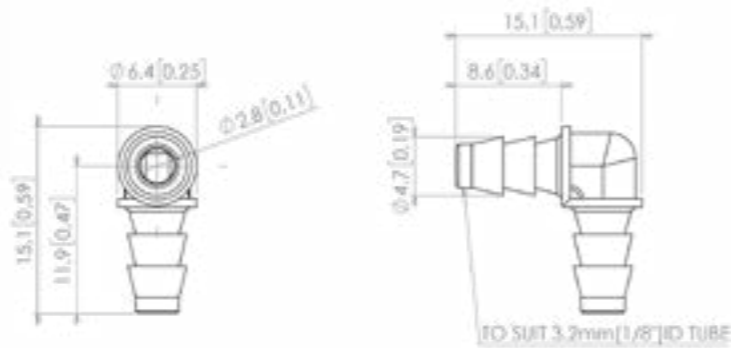


Price starting from: £0.98

\*Larger quantity price breaks available

#### Technical Data

Max. Inlet Pressure: 8.62 bar (125 psi)  
 Connections: 1/8" (3.2mm) ID Tube (x2)  
 Mounting Style: In-Line  
 Wetted Materials: Nylon  
 Non-wetted Materials: Nylon  
 RoHS/REACH Compliant: Yes  
 Cleanroom Manufactured: No  
 Other Technical Data: Suitable for compressed air and vacuum.

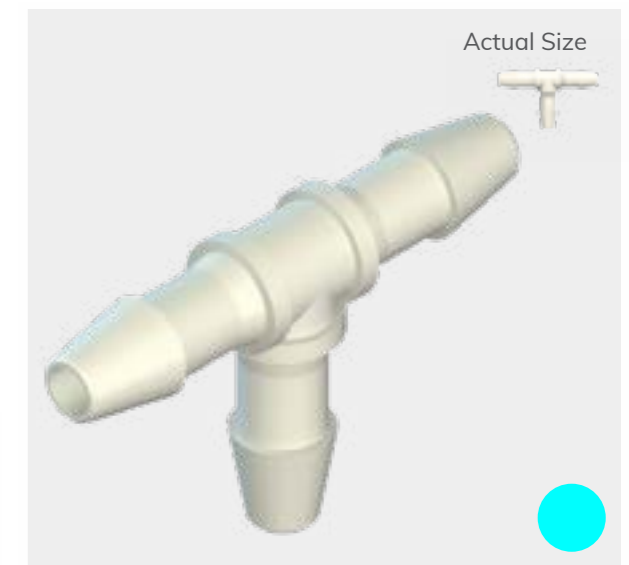
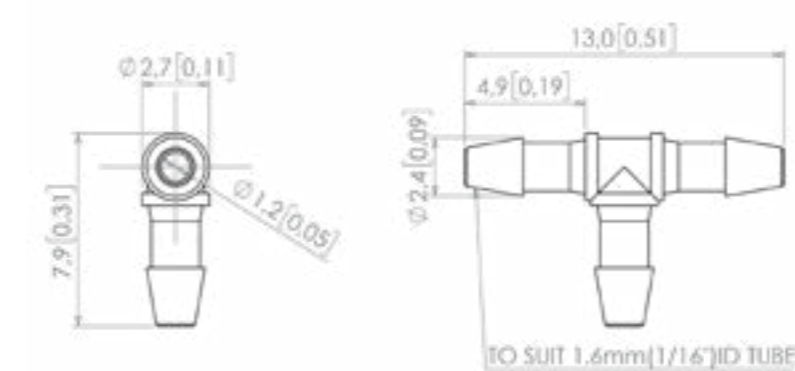


## Tee Connectors - Barb to Barb

### E-F-210294 - White Nylon Equal Tee Connector, 1/16" (1.6mm) ID Tube (x3)

#### Technical Data

Connections: 1/16" (1.6mm) ID Tube (x3)  
 Mounting Style: In-Line  
 Wetted Materials: Nylon  
 Non-wetted Materials: Nylon  
 RoHS/REACH Compliant: Yes  
 Cleanroom Manufactured: Class 8 (100,000) cleanroom  
 Regulatory Information: Meets Requirements for FDA 21 CFR 177.1500, California Prop. 65  
 Other Technical Data: Phthalate Free. BPA Free. DEHP Free. Ozone depleting substances compliant. Compatible with EtO (Ethylene Oxide) sterilisation and can withstand gamma sterilisation to 50kGy.



Price starting from: £0.57

\*Larger quantity price breaks available

### E-F-170625 - Grey Polypropylene Equal Elbow Multi Barb Connector, 1/8" (3.2mm) ID Tube (x2)

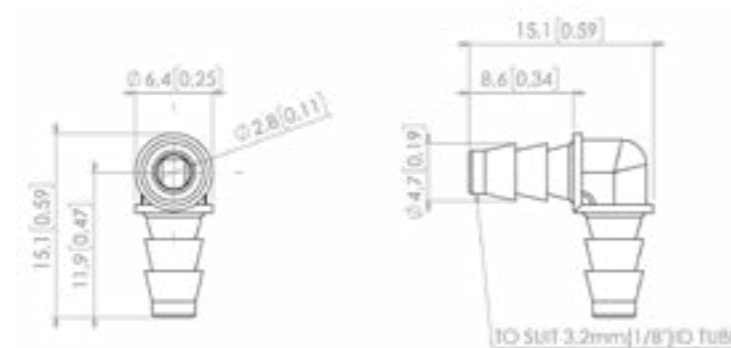


Price starting from: £0.98

\*Larger quantity price breaks available

#### Technical Data

Max. Inlet Pressure: 8.62 bar (125 psi)  
 Connections: 1/8" (3.2mm) ID Tube (x2)  
 Mounting Style: In-Line  
 Wetted Materials: Polypropylene  
 Non-wetted Materials: Polypropylene  
 RoHS/REACH Compliant: Yes  
 Cleanroom Manufactured: No  
 Other Technical Data: Suitable for compressed air and vacuum.



### More from this range



1/16" Animal Free Polypropylene  
E-F-160205



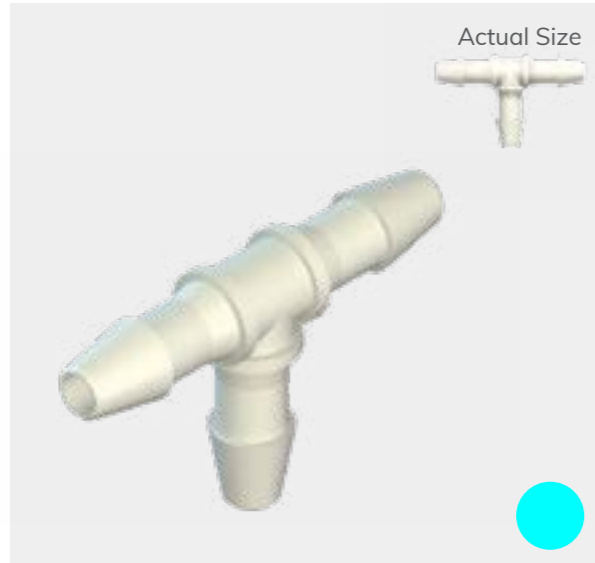
1/16" White ABS  
E-F-160204



1/16" Kynar  
E-F-180049

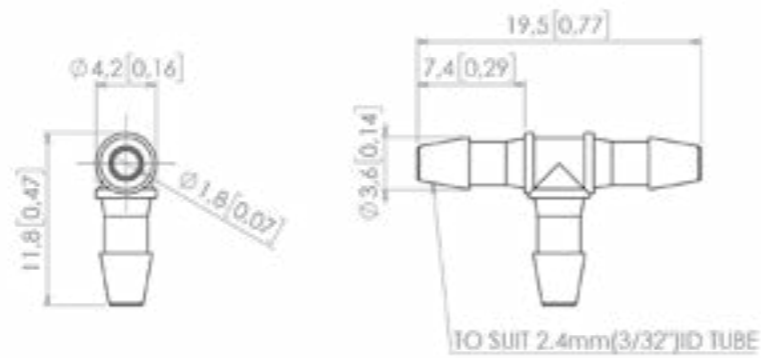
## Tee Connectors - Barb to Barb

### E-F-210296 - White Nylon Equal Tee Connector, 3/32" (2.4mm) ID Tube (x3)



#### Technical Data

**Connections:** 3/32" (2.4mm) ID Tube (x3)  
**Mounting Style:** In-Line  
**Wetted Materials:** Nylon  
**Non-wetted Materials:** Nylon  
**RoHS/REACH Compliant:** Yes  
**Cleanroom Manufactured:** Class 8 (100,000) cleanroom  
**Regulatory Information:** Meets Requirements for FDA 21 CFR 177.1500, California Prop. 65  
**Other Technical Data:** Phthalate Free. BPA Free. DEHP Free. Ozone depleting substances compliant. Compatible with EtO (Ethylene Oxide) sterilisation and can withstand gamma sterilisation to 50kGy.



Price starting from: £0.54

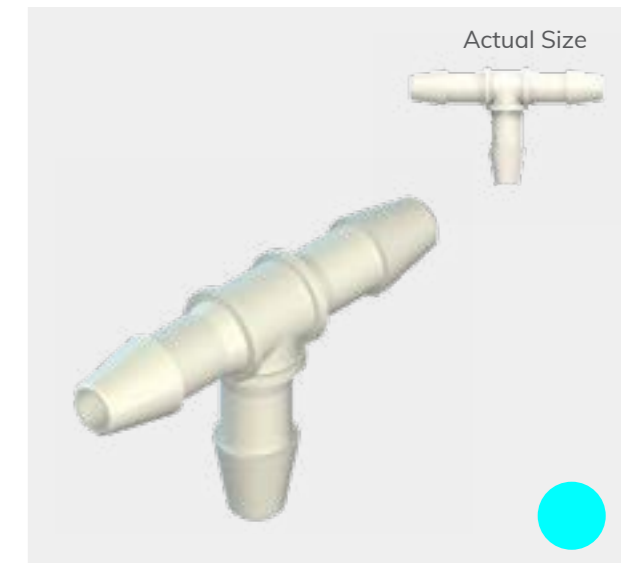
\*Larger quantity price breaks available

## Tee Connectors - Barb to Barb

### E-F-210295 - White Nylon Equal Tee Connector, 1/8" (3.2mm) ID Tube (x3)

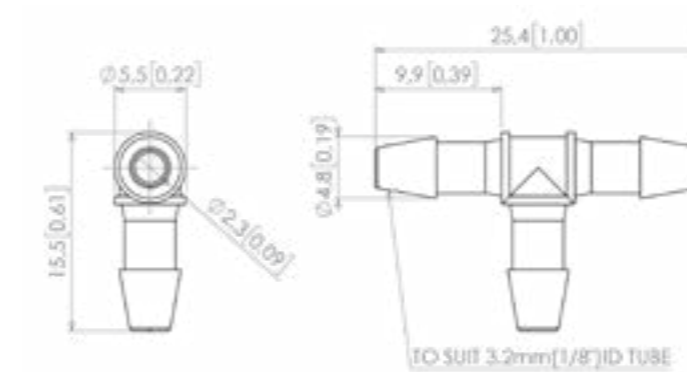
#### Technical Data

**Connections:** 1/8" (3.2mm) ID Tube (x3)  
**Mounting Style:** In-Line  
**Wetted Materials:** Nylon  
**Non-wetted Materials:** Nylon  
**RoHS/REACH Compliant:** Yes  
**Cleanroom Manufactured:** Class 8 (100,000) cleanroom  
**Regulatory Information:** Meets Requirements for FDA 21 CFR 177.1500, California Prop. 65  
**Other Technical Data:** Phthalate Free. BPA Free. DEHP Free. Ozone depleting substances compliant. Compatible with EtO (Ethylene Oxide) sterilisation and can withstand gamma sterilisation to 50kGy.



Price starting from: £0.68

\*Larger quantity price breaks available



#### More from this range



3/32" Animal Free  
Polypropylene  
E-F-160208



3/32"  
White ABS  
E-F-160206

#### More from this range



1/8" Animal Free  
Polypropylene  
E-F-160211



1/8"  
Clear Copolyester  
E-F-190047



1/8"  
White ABS  
E-F-160209



1/8"  
Kynar  
E-F-160212

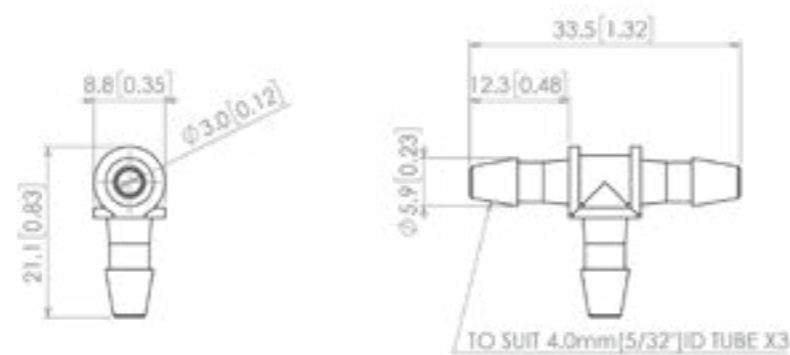
## Tee Connectors - Barb to Barb

### E-F-180095 - Natural Nylon Equal Tee Connector, 5/32" (4.0mm) ID Tube (x3)



#### Technical Data

**Connections:** 5/32" (4.0mm) ID Tube (x3)  
**Mounting Style:** In-Line  
**Wetted Materials:** Nylon  
**Non-wetted Materials:** Nylon  
**RoHS/REACH Compliant:** Yes  
**Cleanroom Manufactured:** Class 8 (100,000) cleanroom  
**Regulatory Information:** Meets Requirements for FDA 21 CFR 177.1500, California Prop. 65  
**Other Technical Data:** Phthalate Free. BPA Free. DEHP Free. Ozone depleting substances compliant. Compatible with EtO (Ethylene Oxide) sterilisation and can withstand gamma sterilisation to 50kGy.



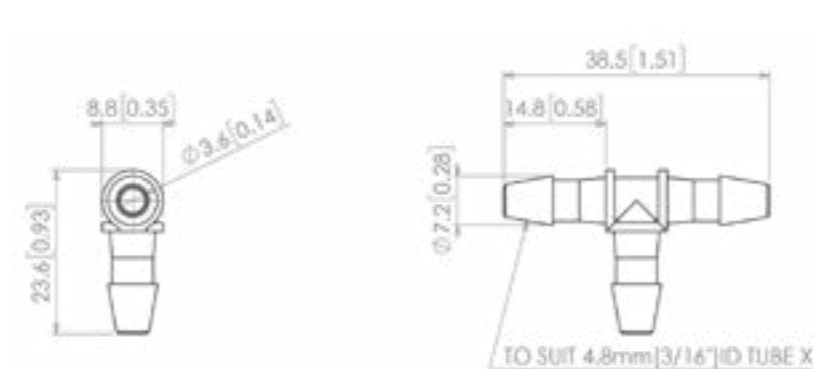
Price starting from: £0.75

\*Larger quantity price breaks available

### E-F-180092 - Natural Nylon Equal Tee Connector, 3/16" (4.8mm) ID Tube (x3)

#### Technical Data

**Connections:** 3/16" (4.8mm) ID Tube (x3)  
**Mounting Style:** In-Line  
**Wetted Materials:** Nylon  
**Non-wetted Materials:** Nylon  
**RoHS/REACH Compliant:** Yes  
**Cleanroom Manufactured:** Class 8 (100,000) cleanroom  
**Regulatory Information:** Meets Requirements for FDA 21 CFR 177.1500, California Prop. 65  
**Other Technical Data:** Phthalate Free. BPA Free. DEHP Free. Ozone depleting substances compliant. Compatible with EtO (Ethylene Oxide) sterilisation and can withstand gamma sterilisation to 50kGy.



Price starting from: £1.06

\*Larger quantity price breaks available

#### More from this range



5/32" Animal Free Polypropylene  
E-F-180096



5/32" Clear Copolyester  
E-F-190048



5/32" Kynar  
E-F-180094

#### More from this range



3/16" Animal Free Polypropylene  
E-F-180093



3/16" Clear Copolyester  
E-F-190049



3/16" Kynar  
E-F-180091

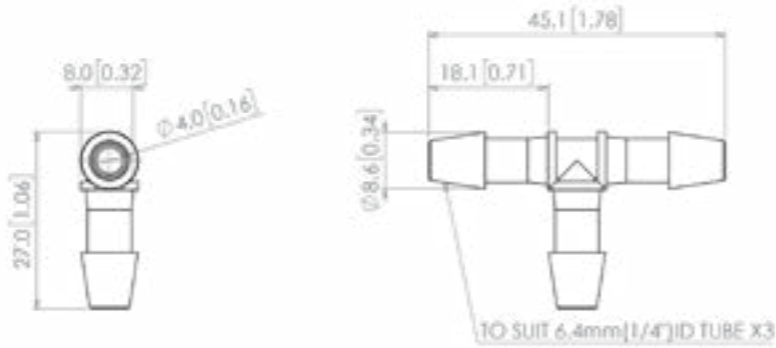
## Tee Connectors - Barb to Barb

### E-F-180089 - Natural Nylon Equal Tee Connector, 1/4" (6.4mm) ID Tube (x3)



#### Technical Data

**Connections:** 1/4" (6.4mm) ID Tube (x3)  
**Mounting Style:** In-Line  
**Wetted Materials:** Nylon  
**Non-wetted Materials:** Nylon  
**RoHS/REACH Compliant:** Yes  
**Cleanroom Manufactured:** Class 8 (100,000) cleanroom  
**Regulatory Information:** Meets Requirements for FDA 21 CFR 177.1500, California Prop. 65  
**Other Technical Data:** Phthalate Free. BPA Free. DEHP Free. Ozone depleting substances compliant. Compatible with EtO (Ethylene Oxide) sterilisation and can withstand gamma sterilisation to 50kGy.



Price starting from: £1.22

\*Larger quantity price breaks available

## Accessories - Press-In Plugs

### E-F-210394 - White Nylon Press-In Plug Fitting, 1/8" (3.2mm) ID Tube

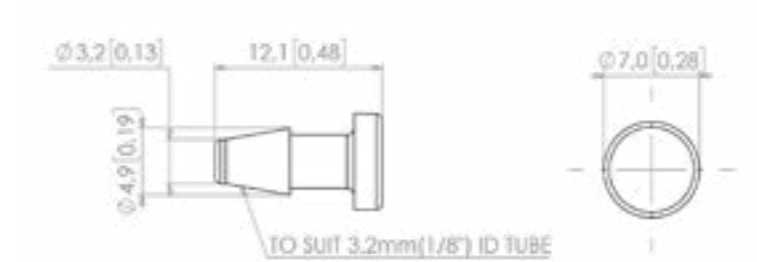
#### Technical Data

**Max. Inlet Pressure:** 8.62 bar (125 psi)  
**Connection 1:** 1/8" (3.2mm) ID Tube  
**Connection 2:** Closed End  
**Mounting Style:** In-Line  
**Wetted Materials:** Nylon  
**Non-wetted Materials:** Nylon  
**Media/Ambient Temperature:** -51°C to 93°C (-60°F to 200°F)  
**RoHS/REACH Compliant:** Yes  
**Cleanroom Manufactured:** No  
**Other Technical Data:** A White Nylon press-in plug fitting with barb to suit 1/8" (3.2mm) ID tube.



Price starting from: £0.15

\*Larger quantity price breaks available



### More from this range



1/4" Animal Free Polypropylene  
E-F-180090



1/4" Clear Copolyester  
E-F-190050



1/4" Kynar  
E-F-180088

### More from this range



1/8" Animal Free Polypropylene  
E-F-210374



1/16" White Nylon  
E-F-210133



1/16" Animal Free Polypropylene  
E-F-210054



1/4" White Nylon  
E-F-210395



1/4" Animal Free Polypropylene  
E-F-210089

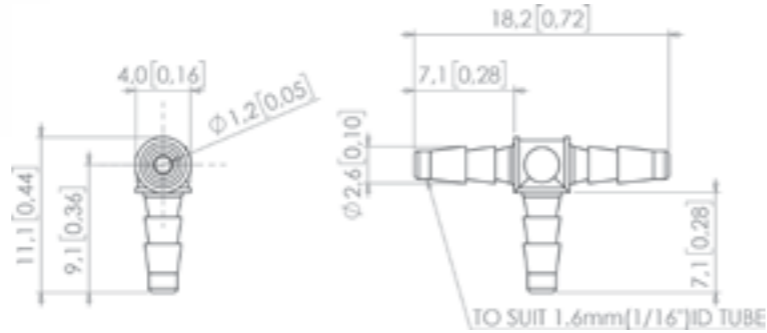
## Tee Connector - Multi Barb

### E-F-170627- Black Nylon Equal Tee Multi Barb Connector, 1/16" (1.6mm) ID Tube (x3)



#### Technical Data

Max. Inlet Pressure: 8.62 bar (125 psi)  
 Connections: 1/16" (1.6mm) ID Tube (x3)  
 Mounting Style: In-Line  
 Wetted Materials: Nylon  
 Non-wetted Materials: Nylon  
 RoHS/REACH Compliant: Yes  
 Cleanroom Manufactured: No  
 Other Technical Data: Suitable for compressed air and vacuum.



Price starting from: £0.98

\*Larger quantity price breaks available



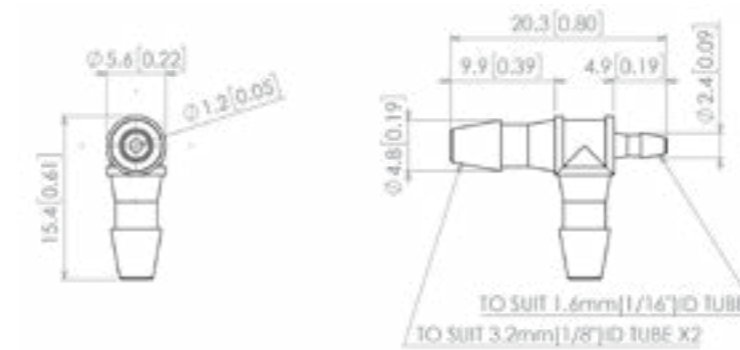
E-F-170628  
Grey Polypropylene

## Tee Connectors - Barb to Barb - Run

### E-F-210311 - White Nylon Run Tee Connector, 1/8" (3.2mm) ID Tube (x2) to 1/16" (1.6mm) ID Tube

#### Technical Data

Connection 1: 1/8" (3.2mm) ID Tube (x2)  
 Connection 2: 1/16" (1.6mm) ID Tube  
 Mounting Style: In-Line  
 Wetted Materials: Nylon  
 Non-wetted Materials: Nylon  
 RoHS/REACH Compliant: Yes  
 Cleanroom Manufactured: Class 8 (100,000) cleanroom  
 Regulatory Information: Meets Requirements for FDA 21 CFR 177.1500, California Prop. 65  
 Other Technical Data: Phthalate Free. BPA Free. DEHP Free. Ozone depleting substances compliant. Compatible with EtO (Ethylene Oxide) sterilisation and can withstand gamma sterilisation to 50kGy.



Price starting from: £0.78

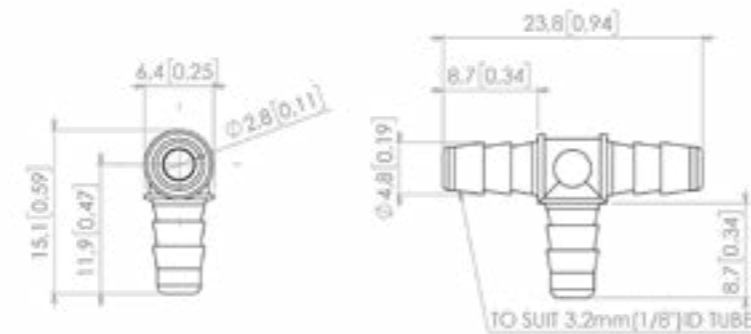
\*Larger quantity price breaks available

### E-F-170629 - Black Nylon Equal Tee Multi Barb Connector, 1/8" (3.2mm) ID Tube (x3)



#### Technical Data

Max. Inlet Pressure: 8.62 bar (125 psi)  
 Connections: 1/8" (3.2mm) ID Tube (x3)  
 Mounting Style: In-Line  
 Wetted Materials: Nylon  
 Non-wetted Materials: Nylon  
 RoHS/REACH Compliant: Yes  
 Cleanroom Manufactured: No  
 Other Technical Data: Suitable for flexible tubing. Suitable for compressed air and vacuum.



Price starting from: £0.98

\*Larger quantity price breaks available



E-F-170630  
Grey Polypropylene

### More from this range



1/16" to 1/8" (x2)  
Animal Free Poly.  
E-F-160244



1/16" to 1/8" (x2)  
Kynar  
E-F-160245



3/32" to 1/8" (x2)  
White Nylon  
E-F-210312



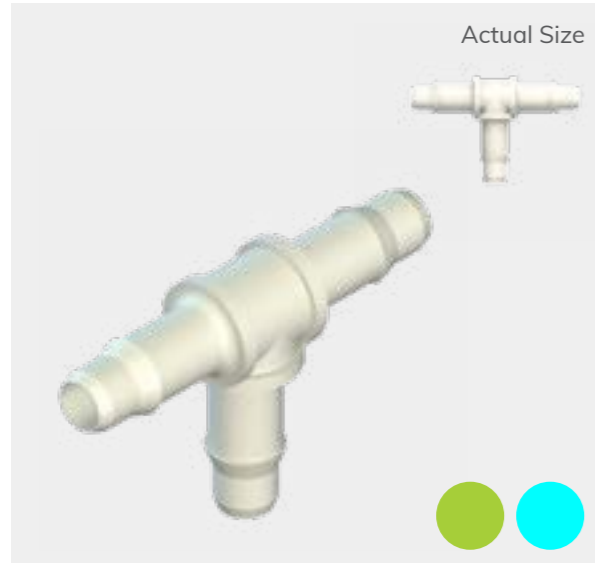
3/32" to 1/8" (x2)  
Animal Free Poly.  
E-F-160241



3/32" to 1/8" (x2)  
Kynar  
E-F-160242

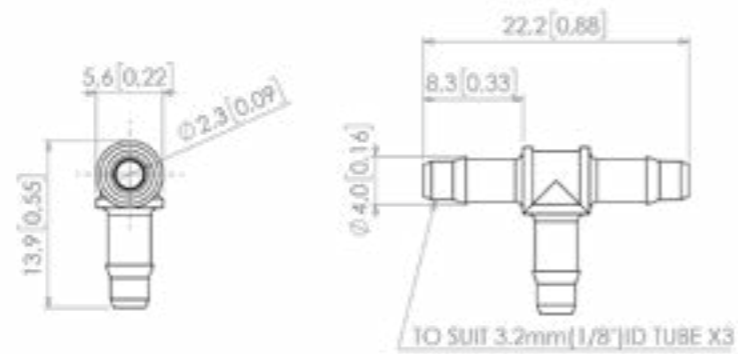
## Tee Connectors - Rigid Barb to Barb

### E-F-210317 - White Nylon Equal Tee Rigid Barb Connector, 1/8" (3.2mm) ID Tube (x3)



#### Technical Data

**Connections:** 1/8" (3.2mm) ID Tube (x3)  
**Mounting Style:** In-Line  
**Wetted Materials:** Nylon  
**Non-wetted Materials:** Nylon  
**RoHS/REACH Compliant:** Yes  
**Cleanroom Manufactured:** Class 8 (100,000) cleanroom  
**Regulatory Information:** Meets Requirements for FDA 21 CFR 177.1500, California Prop. 65  
**Other Technical Data:** Phthalate Free. BPA Free. DEHP Free. Ozone depleting substances compliant. Compatible with EtO (Ethylene Oxide) sterilisation and can withstand gamma sterilisation to 50kGy.



Price starting from: £0.65

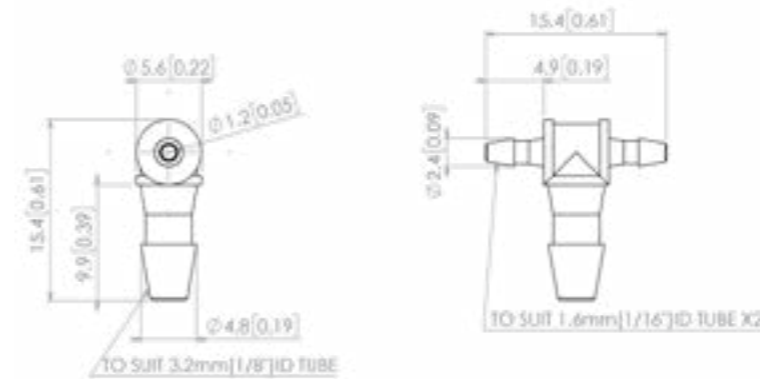
\*Larger quantity price breaks available

## Tee Connector - Barb to Barb

### E-F-210309 - White Nylon Branch Tee Connector, 1/8" (3.2mm) ID Tube to 1/16" (1.6mm) ID Tube (x2)

#### Technical Data

**Connection 1:** 1/16" (1.6mm) ID Tube (x2)  
**Connection 2:** 1/8" (3.2mm) ID Tube  
**Mounting Style:** In-Line  
**Wetted Materials:** Nylon  
**Non-wetted Materials:** Nylon  
**RoHS/REACH Compliant:** Yes  
**Cleanroom Manufactured:** Class 8 (100,000) cleanroom  
**Regulatory Information:** Meets Requirements for FDA 21 CFR 177.1500, California Prop. 65  
**Other Technical Data:** Phthalate Free. BPA Free. DEHP Free. Ozone depleting substances compliant. Compatible with EtO (Ethylene Oxide) sterilisation and can withstand gamma sterilisation to 50kGy.



Price starting from: £0.78

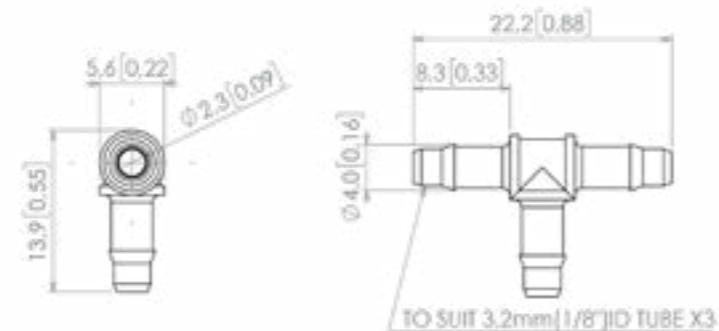
\*Larger quantity price breaks available

### E-F-180180 - Animal Free Polypropylene Equal Tee Rigid Barb Connector, 1/8" (3.2mm) ID Tube (x3)



#### Technical Data

**Connections:** 1/8" (3.2mm) ID Tube (x3)  
**Mounting Style:** In-Line  
**Wetted Materials:** Animal Free Polypropylene  
**Non-wetted Materials:** Animal Free Polypropylene  
**RoHS/REACH Compliant:** Yes  
**Cleanroom Manufactured:** Class 8 (100,000) cleanroom  
**Regulatory Information:** Meets Requirements for USP Class VI, FDA 21 CFR 177.1500, ISO 10993-5, California Prop. 65  
**Other Technical Data:** Animal Derivative Free. Phthalate Free. BPA Free. Latex Free. DEHP Free. Conflict mineral compliant.



Price starting from: £0.99

\*Larger quantity price breaks available

## More from this range



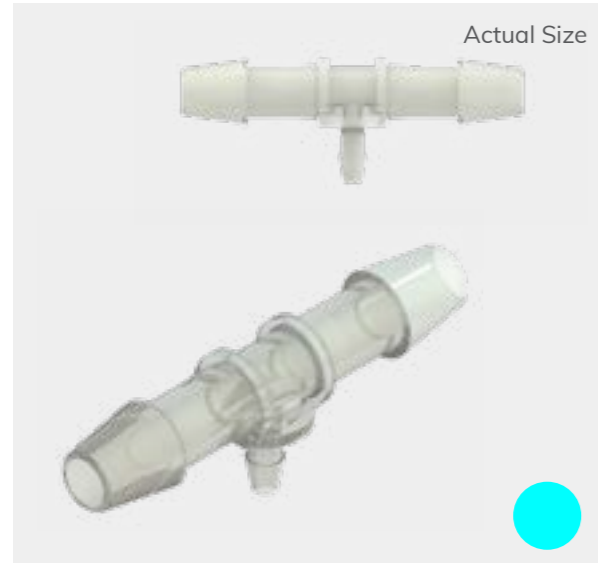
1/8" to 1/16" (x2)  
 Animal Free Poly.  
 E-F-160238



1/8" to 1/16" (x2)  
 Kynar  
 E-F-160239

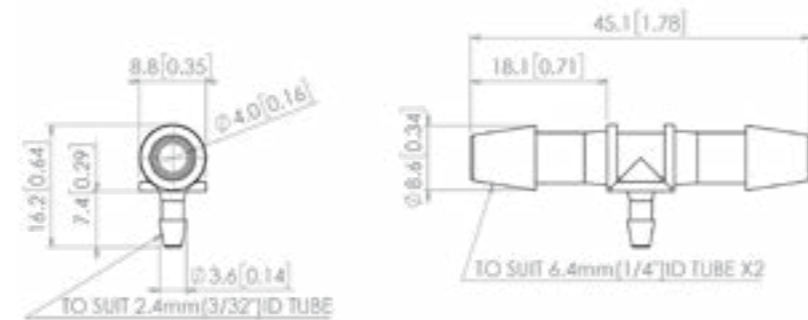
## Tee Connector - Barb to Barb

### E-F-180165 - Natural Nylon Branch Tee Connector, 1/4" (6.4mm) ID Tube (x2) to 3/32" (2.4mm) ID Tube



#### Technical Data

**Connection 1:** 1/4" (6.4mm) ID Tube (x2)  
**Connection 2:** 3/32" (2.4mm) ID Tube  
**Mounting Style:** In-Line  
**Wetted Materials:** Nylon  
**Non-wetted Materials:** Nylon  
**RoHS/REACH Compliant:** Yes  
**Cleanroom Manufactured:** Class 8 (100,000) cleanroom  
**Regulatory Information:** Meets Requirements for FDA 21 CFR 177.1500, California Prop. 65  
**Other Technical Data:** Phthalate Free. BPA Free. DEHP Free. Ozone depleting substances compliant. Compatible with EtO (Ethylene Oxide) sterilisation and can withstand gamma sterilisation to 50kGy.



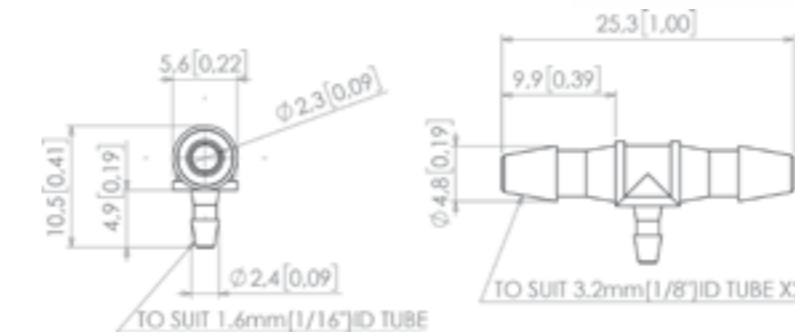
Price starting from: £1.22

\*Larger quantity price breaks available

### E-F-190052 - Animal Free Polypropylene Branch Tee Connector, 1/8" (3.2mm) ID Tube (x2) to 1/16" (1.6mm) ID Tube

#### Technical Data

**Connection 1:** 1/16" (1.6mm) ID Tube  
**Connection 2:** 1/8" (3.2mm) ID Tube (x2)  
**Mounting Style:** In-Line  
**Wetted Materials:** Animal Free Polypropylene  
**Non-wetted Materials:** Animal Free Polypropylene  
**RoHS/REACH Compliant:** Yes  
**Cleanroom Manufactured:** Class 8 (100,000) cleanroom  
**Regulatory Information:** Meets Requirements for USP Class VI, FDA 21 CFR 177.1500, ISO 10993-5, California Prop. 65  
**Other Technical Data:** Phthalate Free. BPA Free. DEHP Free. Ozone depleting substances compliant. Compatible with EtO (Ethylene Oxide) sterilisation and can withstand gamma sterilisation to 50kGy.



Price starting from: £1.18

\*Larger quantity price breaks available

#### More from this range



1/4" (x2) to 3/32"  
Animal Free Poly.  
E-F-180166



1/4" (x2) to 3/32"  
Kynar  
E-F-180164



1/4" (x2) to 1/8"  
Natural Nylon  
E-F-180168



1/4" (x2) to 1/8"  
Animal Free Poly.  
E-F-180169



1/4" (x2) to 1/8"  
Kynar  
E-F-180167



1/4" (x2) to 3/16"  
Natural Nylon  
E-F-180171



1/4" (x2) to 3/16"  
Animal Free Poly.  
E-F-180172



1/4" (x2) to 3/16"  
Kynar  
E-F-180170

#### More from this range



1/8" (x2) to 1/16"  
Kynar  
E-F-190053



1/8" (x2) to 3/32"  
Animal Free Poly.  
E-F-190055

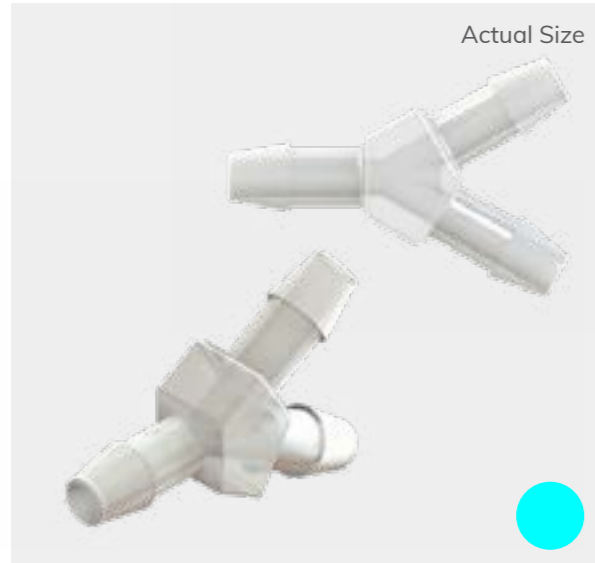


1/8" (x2) to 3/32"  
Kynar  
E-F-190056



## Y Connectors - Barb to Barb

### E-F-210429 - Kynar Equal Y Connector, 1/4" (6.4mm) ID Tube (x3)



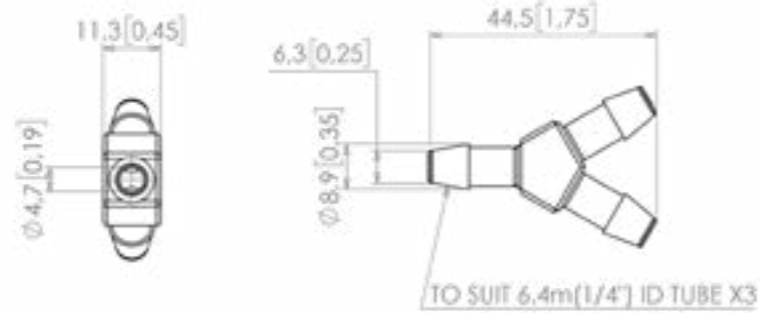
Actual Size

#### Technical Data

**Max. Inlet Pressure:** 8.62 bar (125 psi)  
**Connections:** 1/4" (6.4mm) ID Tube (x3)  
**Mounting Style:** In-Line  
**Wetted Materials:** Kynar  
**Non-wetted Materials:** Kynar  
**RoHS/REACH Compliant:** Yes  
**Cleanroom Manufactured:** No  
**Regulatory Information:** California Prop. 65  
**Other Technical Data:** A Kynar equal Y connector with barbs to suit 1/4" (6.4mm) ID tube.

Price starting from: £3.63

\*Larger quantity price breaks available

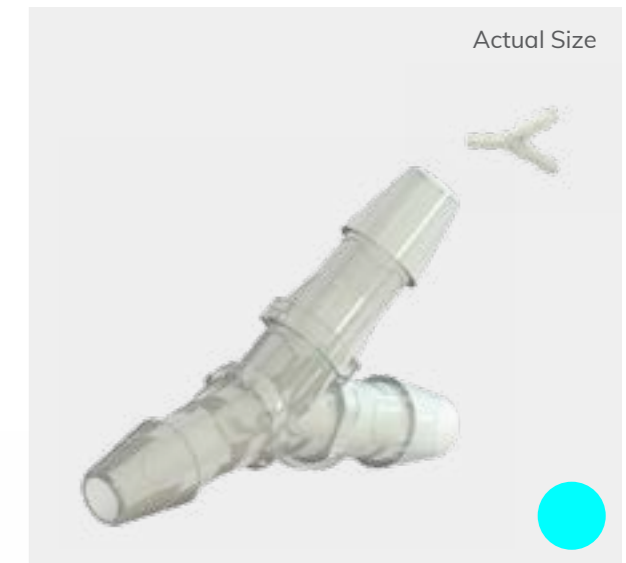
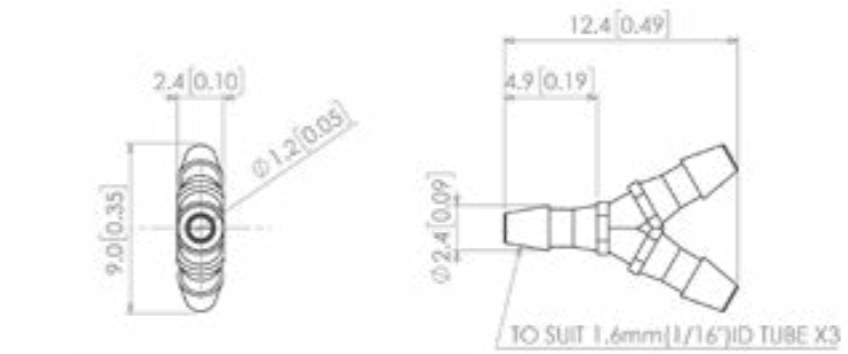


## Y Connectors - Barb to Barb

### E-F-180173 - Natural Nylon Equal Y Connector, 1/16" (1.6mm) ID Tube (x3)

#### Technical Data

**Connections:** 1/16" (1.6mm) ID Tube (x3)  
**Mounting Style:** In-Line  
**Wetted Materials:** Nylon  
**Non-wetted Materials:** Nylon  
**RoHS/REACH Compliant:** Yes  
**Cleanroom Manufactured:** Class 8 (100,000) cleanroom  
**Regulatory Information:** Meets Requirements for FDA 21 CFR 177.1500, California Prop. 65  
**Other Technical Data:** Phthalate Free. BPA Free. DEHP Free. Ozone depleting substances compliant. Compatible with EtO (Ethylene Oxide) sterilisation and can withstand gamma sterilisation to 50kGy.

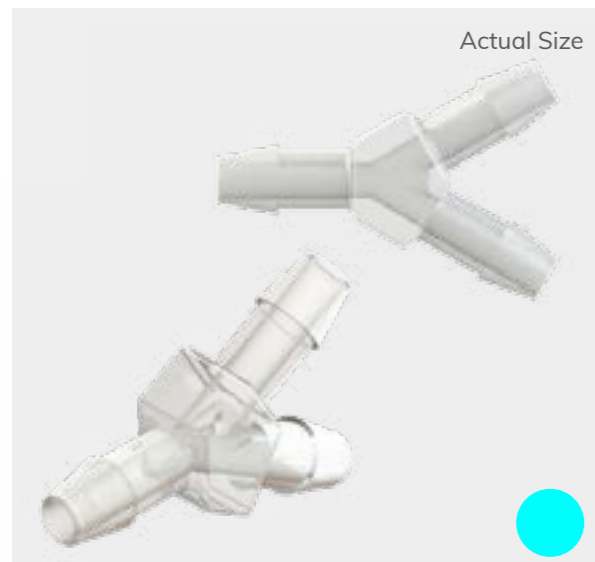


Actual Size

Price starting from: £0.64

\*Larger quantity price breaks available

### E-F-210430 - Animal Free Polypropylene Equal Y Connector, 1/4" (6.4mm) ID Tube (x3)



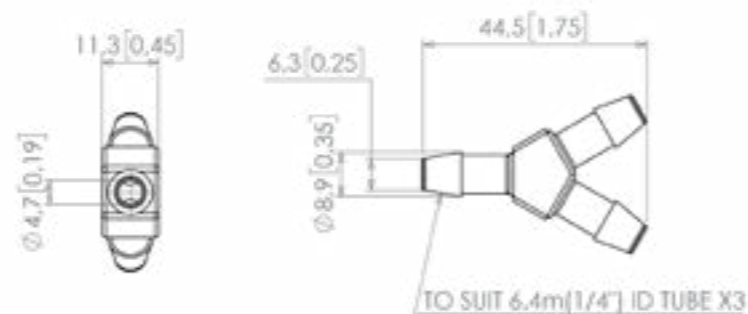
Actual Size

#### Technical Data

**Max. Inlet Pressure:** 8.62 bar (125 psi)  
**Connections:** 1/4" (6.4mm) ID Tube (x3)  
**Mounting Style:** In-Line  
**Wetted Materials:** Animal Free Polypropylene  
**Non-wetted Materials:** Animal Free Polypropylene  
**RoHS/REACH Compliant:** Yes  
**Cleanroom Manufactured:** No  
**Regulatory Information:** USP Class VI, FDA 21 CFR 177.1520(c) 1.1a  
**Other Technical Data:** An Animal Free Polypropylene equal Y connector with barbs to suit 1/4" (6.4mm) ID tube.

Price starting from: £1.74

\*Larger quantity price breaks available



### More from this range



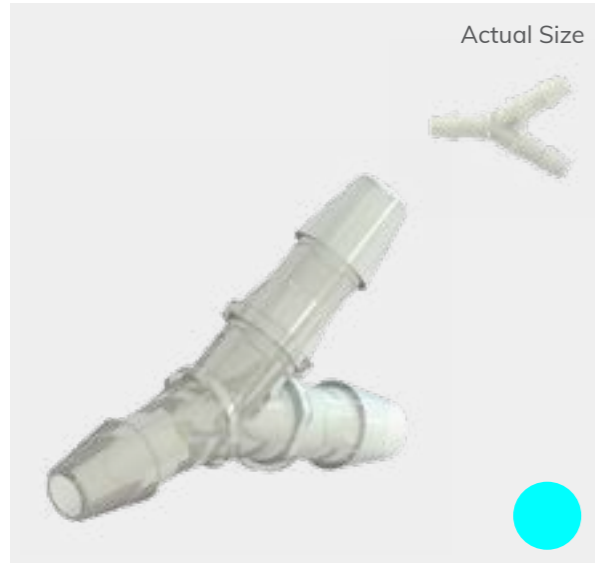
1/16" Animal Free Polypropylene  
E-F-180173



1/16" Kynar  
E-F-180048

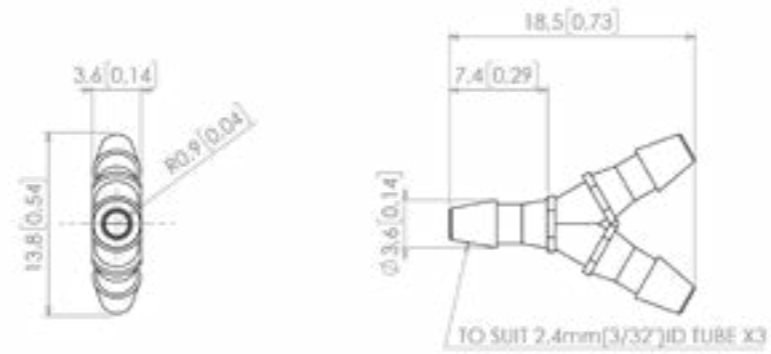
## Y Connectors - Barb to Barb

### E-F-180177 - Natural Nylon Equal Y Connector, 3/32" (2.4mm) ID Tube (x3)



#### Technical Data

**Connections:** 3/32" (2.4mm) ID Tube (x3)  
**Mounting Style:** In-Line  
**Wetted Materials:** Nylon  
**Non-wetted Materials:** Nylon  
**RoHS/REACH Compliant:** Yes  
**Cleanroom Manufactured:** Class 8 (100,000) cleanroom  
**Regulatory Information:** Meets Requirements for FDA 21 CFR 177.1500, California Prop. 65  
**Other Technical Data:** Phthalate Free. BPA Free. DEHP Free. Ozone depleting substances compliant. Compatible with EtO (Ethylene Oxide) sterilisation and can withstand gamma sterilisation to 50kGy.



Price starting from: £0.71

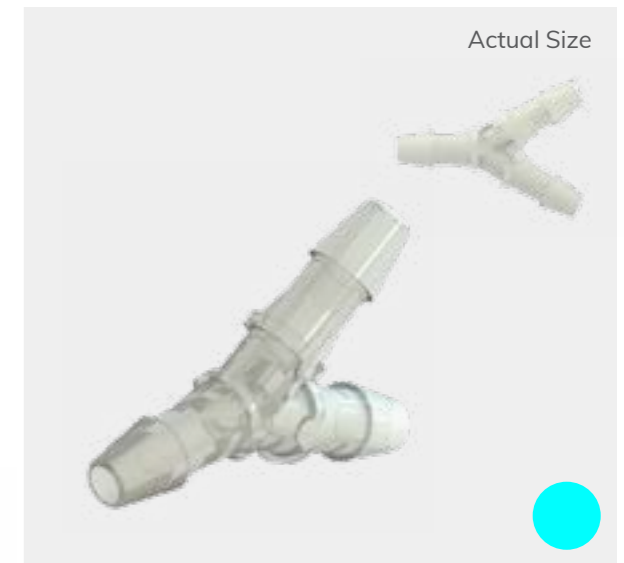
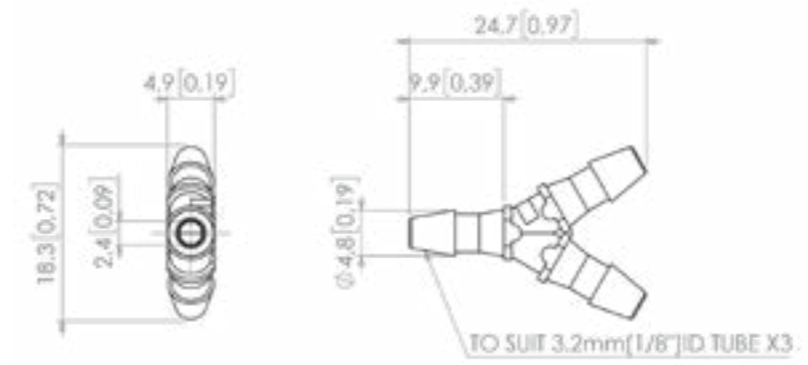
\*Larger quantity price breaks available

## Y Connectors - Barb to Barb

### E-F-171513 - Natural Nylon Equal Y Connector, 1/8" (3.2mm) ID Tube (x3)

#### Technical Data

**Connections:** 1/8" (3.2mm) ID Tube (x3)  
**Mounting Style:** In-Line  
**Wetted Materials:** Nylon  
**Non-wetted Materials:** Nylon  
**RoHS/REACH Compliant:** Yes  
**Cleanroom Manufactured:** Class 8 (100,000) cleanroom  
**Regulatory Information:** Meets Requirements for FDA 21 CFR 177.1500, California Prop. 65  
**Other Technical Data:** Phthalate Free. BPA Free. DEHP Free. Ozone depleting substances compliant. Compatible with EtO (Ethylene Oxide) sterilisation and can withstand gamma sterilisation to 50kGy.



Price starting from: £0.74

\*Larger quantity price breaks available

#### More from this range



3/32" Animal Free  
Polypropylene  
E-F-180098



3/32"  
Kynar  
E-F-180176

#### More from this range



1/8" Animal Free  
Polypropylene  
E-F-171456



1/8"  
Kynar  
E-F-180025

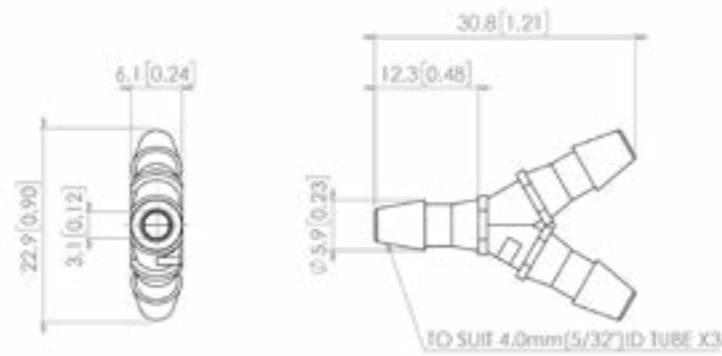
## Y Connectors - Barb to Barb

### E-F-170562 - Natural Nylon Equal Y Connector, 5/32" (4.0mm) ID Tube (x3)



#### Technical Data

**Connections:** 5/32" (4.0mm) ID Tube (x3)  
**Mounting Style:** In-Line  
**Wetted Materials:** Nylon  
**Non-wetted Materials:** Nylon  
**RoHS/REACH Compliant:** Yes  
**Cleanroom Manufactured:** Class 8 (100,000) cleanroom  
**Regulatory Information:** Meets Requirements for FDA 21 CFR 177.1500, California Prop. 65  
**Other Technical Data:** Phthalate Free. BPA Free. DEHP Free. Ozone depleting substances compliant. Compatible with EtO (Ethylene Oxide) sterilisation and can withstand gamma sterilisation to 50kGy.



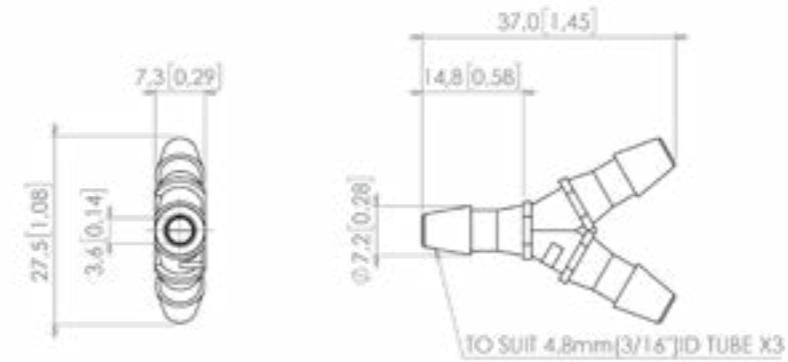
Price starting from: £0.97

\*Larger quantity price breaks available

### E-F-170566 - Natural Nylon Equal Y Connector, 3/16" (4.8mm) ID Tube (x3)

#### Technical Data

**Connections:** 3/16" (4.8mm) ID Tube (x3)  
**Mounting Style:** In-Line  
**Wetted Materials:** Nylon  
**Non-wetted Materials:** Nylon  
**RoHS/REACH Compliant:** Yes  
**Cleanroom Manufactured:** Class 8 (100,000) cleanroom  
**Regulatory Information:** Meets Requirements for FDA 21 CFR 177.1500, California Prop. 65  
**Other Technical Data:** Phthalate Free. BPA Free. DEHP Free. Ozone depleting substances compliant. Compatible with EtO (Ethylene Oxide) sterilisation and can withstand gamma sterilisation to 50kGy.



Price starting from: £0.97

\*Larger quantity price breaks available

#### More from this range



5/32" Animal Free Polypropylene  
E-F-170564



5/32" Kynar  
E-F-170565

#### More from this range



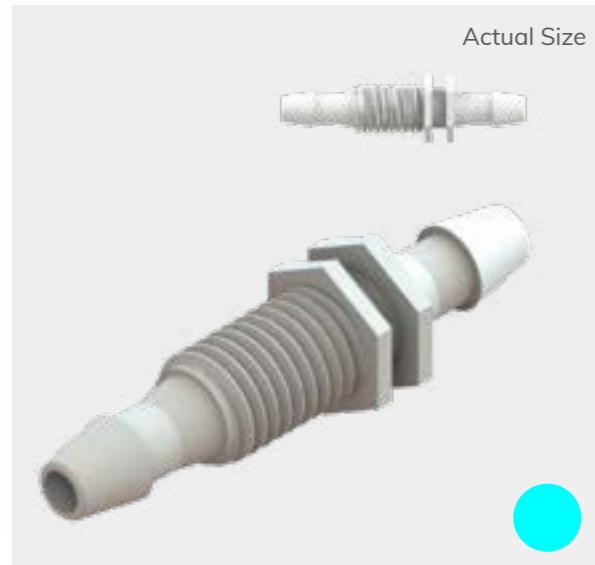
3/16" Animal Free Polypropylene  
E-F-170568



3/16" Kynar  
E-F-170569

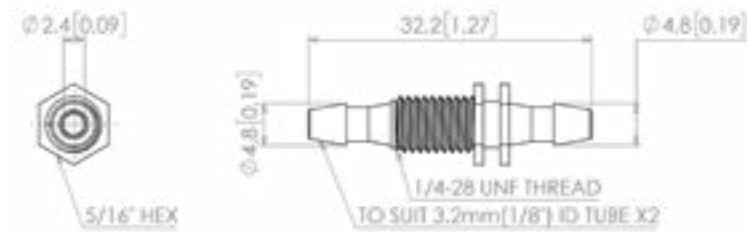
## Panel Mount Connectors

### E-F-160296 - White Nylon Equal Straight Panel Mount Barb Connector, 1/8" (3.2mm) ID Tube (x2)



#### Technical Data

**Max. Inlet Pressure:** 8.62 bar (125 psi)  
**Connections:** 1/8" (3.2mm) ID Tube (x2)  
**Mounting Style:** Panel Mount  
**Wetted Materials:** Nylon  
**Non-wetted Materials:** Nylon  
**Media/Ambient Temperature:** -45°C to 135°C (-50°F to 275°F)  
**RoHS/REACH Compliant:** Yes  
**Cleanroom Manufactured:** No  
**Regulatory Information:** Meets FDA requirements 21 CFR 178.3297, California Prop. 65  
**Other Technical Data:** A White Nylon equal panel mount connector with 1/4-28 UNF thread and barbs to suit 1/8" (3.2mm) ID tube. Animal Derivative Free.



Price starting from: £1.21

\*Larger quantity price breaks available

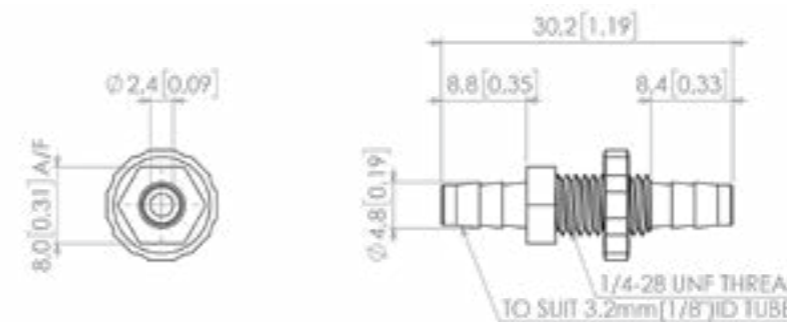
## Panel Mount Connectors

### E-F-170609 - Black Nylon Equal Straight Panel Mount Multi Barb Connector, 1/8" (3.2mm) ID Tube (x2)



#### Technical Data

**Max. Inlet Pressure:** 8.62 bar (125 psi)  
**Connections:** 1/8" (3.2mm) ID Tube (x2)  
**Mounting Style:** Panel Mount  
**Wetted Materials:** Nylon  
**Non-wetted Materials:** Nylon  
**RoHS/REACH Compliant:** Yes  
**Cleanroom Manufactured:** No  
**Other Technical Data:** A Black Nylon equal bulkhead connector with barbed ports for 1/8" (3.2mm) ID flexible tubing and a 1/4-28 UNF panel mounting thread complete with lock nut. Suitable for compressed air and vacuum.



Price starting from: £1.43

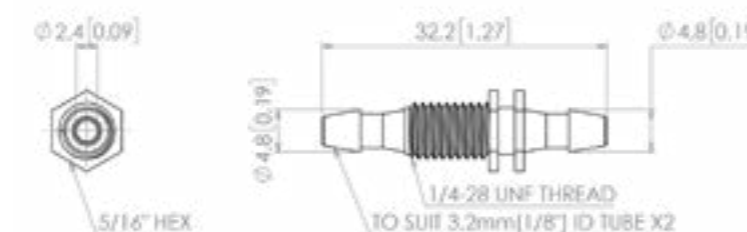
\*Larger quantity price breaks available

### E-F-210156 - Animal Free Polypropylene Equal Straight Panel Mount Barb Connector, 1/8" (3.2mm) ID Tube (x2)



#### Technical Data

**Max. Inlet Pressure:** 8.62 bar (125 psi)  
**Connections:** 1/8" (3.2mm) ID Tube (x2)  
**Mounting Style:** Panel Mount  
**Wetted Materials:** Animal Free Polypropylene  
**Non-wetted Materials:** Animal Free Polypropylene  
**Media/Ambient Temperature:** -22°C to 65°C (-9°F to 150°F)  
**RoHS/REACH Compliant:** Yes  
**Cleanroom Manufactured:** No  
**Regulatory Information:** USP Class VI, Meets FDA requirements 21 CFR 177.1520(a)(3)(i) and (c)3.1a  
**Other Technical Data:** An Animal Free Polypropylene equal panel mount connector with 1/4-28 UNF thread and barbs to suit 1/8" (3.2mm) ID tube.



Price starting from: £1.10

\*Larger quantity price breaks available

### More from this range



1/8"  
Grey Polypropylene  
E-F-170610



1/16"  
Black Nylon  
E-F-170607



1/16"  
Grey Polypropylene  
E-F-170608



.170"  
Black Nylon  
E-F-170611



.170"  
Grey Polypropylene  
E-F-170612

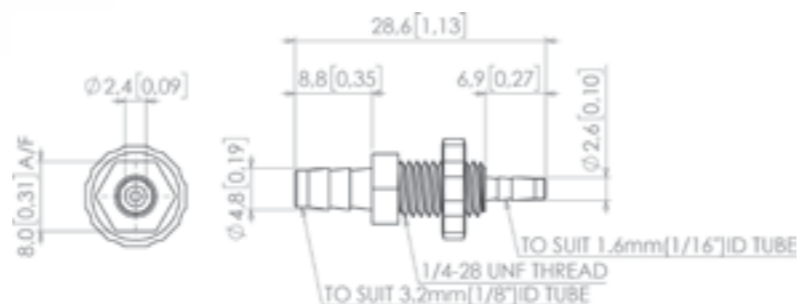
## Panel Mount Connectors

**E-F-170603** - Black Nylon Reducing Straight Panel Mount Multi Barb Connector, 1/8" (3.2mm) ID Tube to 1/16" (1.6mm) ID Tube



### Technical Data

Max. Inlet Pressure: 8.62 bar (125 psi)  
 Connection 1: 1/8" (3.2mm) ID Tube  
 Connection 2: 1/16" (1.6mm) ID Tube  
 Mounting Style: Panel Mount  
 Wetted Materials: Nylon  
 Non-wetted Materials: Nylon  
 RoHS/REACH Compliant: Yes  
 Cleanroom Manufactured: No  
**Other Technical Data:** A Black Nylon bulkhead connector with barbed ports for 1/8" (3.2mm) ID x 1/16" (1.6mm) ID flexible tubing and a 1/4-28 UNF panel mounting thread complete with lock nut.



Price starting from: £1.43

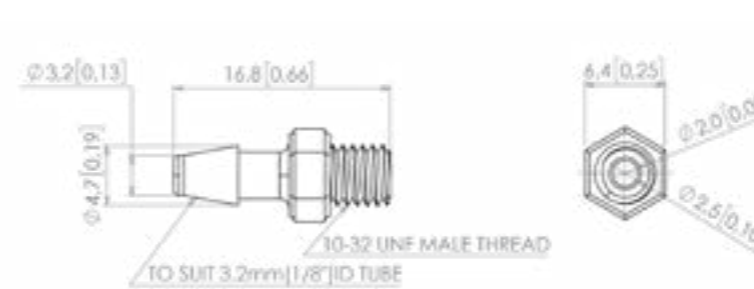
\*Larger quantity price breaks available

## Straight Connectors - Threaded

**E-F-210385** - White Nylon Straight Threaded Adaptor, 10-32 UNF Male Thread to 1/8" (3.2mm) ID Tube

### Technical Data

Max. Inlet Pressure: 8.62 bar (125 psi)  
 Connection 1: 1/8" (3.2mm) ID Tube  
 Connection 2: 10-32 UNF Male Thread  
 Mounting Style: Threaded  
 Wetted Materials: Nylon  
 Non-wetted Materials: Nylon  
 Media/Ambient Temperature: -51°C to 93°C (-60°F to 200°F)  
 RoHS/REACH Compliant: Yes  
 Cleanroom Manufactured: No  
**Other Technical Data:** A White Nylon straight adaptor with 10-32 UNF male thread and barb to suit 1/8" (3.2mm) ID tube.



Price starting from: £0.49

\*Larger quantity price breaks available

### More from this range



1/8" to 1/16"  
 Grey Polypropylene  
 E-F-170604



.170" to 1/8"  
 Black Nylon  
 E-F-170605



.170" to 1/8"  
 Grey Polypropylene  
 E-F-170606



.170" to 1/16"  
 Black Nylon  
 E-F-170601



.170" to 1/16"  
 Grey Polypropylene  
 E-F-170602

### More from this range



1/16" to 10-32 UNF  
 Animal Free Poly.  
 E-F-210424



1/16" to 10-32 UNF  
 White Nylon  
 E-F-210023

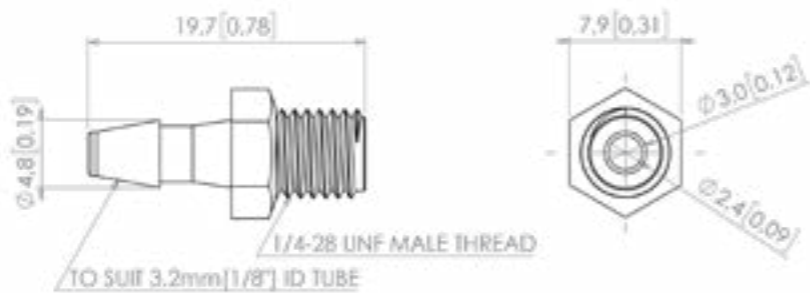
## Straight Connectors - Threaded

### E-F-210398 - Animal Free Polypropylene Straight Threaded Adaptor, 1/4-28 UNF Male Thread to 1/8" (3.2mm) ID Tube



#### Technical Data

**Max. Inlet Pressure:** 8.62 bar (125 psi)  
**Connection 1:** 1/8" (3.2mm) ID Tube  
**Connection 2:** 1/4-28 UNF Male Thread  
**Mounting Style:** Threaded  
**Wetted Materials:** Animal Free Polypropylene  
**Non-wetted Materials:** Animal Free Polypropylene  
**Media/Ambient Temperature:** -22°C to 65°C (-9°F to 150°F)  
**RoHS/REACH Compliant:** Yes  
**Cleanroom Manufactured:** No  
**Regulatory Information:** USP Class VI, Meets FDA requirements 21 CFR 177.1520(a)(3)(i) and (c)3.1a  
**Other Technical Data:** An Animal Free Polypropylene straight threaded adaptor with 1/4-28 UNF male thread and barb to suit 1/8" (3.2mm) ID tube.



Price starting from: £0.91

\*Larger quantity price breaks available

### E-F-210406 - Kynar Straight Threaded Adaptor, 1/4-28 UNF Male Thread to 1/8" (3.2mm) ID Tube

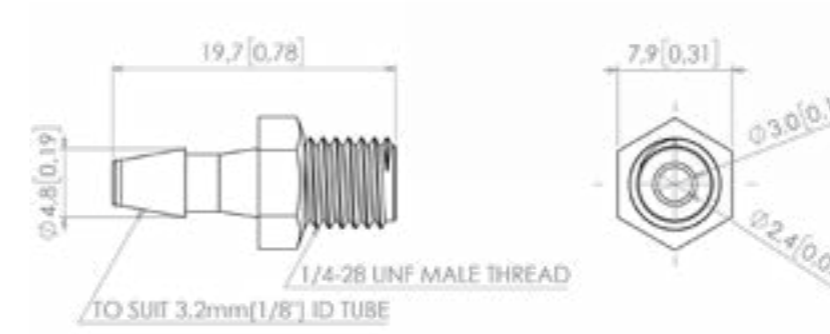
#### Technical Data

**Max. Inlet Pressure:** 17.92 bar (260 psi)  
**Connection 1:** 1/8" (3.2mm) ID Tube  
**Connection 2:** 1/4-28 UNF Male Thread  
**Mounting Style:** Threaded  
**Wetted Materials:** Kynar  
**Non-wetted Materials:** Kynar  
**Media/Ambient Temperature:** -62°C to 107°C (-80°F to 226°F)  
**RoHS/REACH Compliant:** Yes  
**Cleanroom Manufactured:** No  
**Regulatory Information:** USP Class VI, Meets FDA requirements 21 CFR 177.1510, California Prop. 65  
**Other Technical Data:** A Kynar straight threaded adaptor with 1/4-28 UNF male thread and barb to suit 1/8" (3.2mm) ID tube.



Price starting from: £1.22

\*Larger quantity price breaks available



#### More from this range



1/16" Animal Free Polypropylene  
E-F-210112



3/32" Animal Free Polypropylene  
E-F-210396



3/16" Animal Free Polypropylene  
E-F-210399

#### More from this range



1/16" Kynar  
E-F-210404



3/32" Kynar  
E-F-210397



3/16" Kynar  
E-F-210407

## Straight Connectors - Threaded

### E-F-210206 - Animal Free Polypropylene Straight Threaded Adaptor, 10-32 Male Tapered Thread to 1/8" (3.2mm) ID Tube

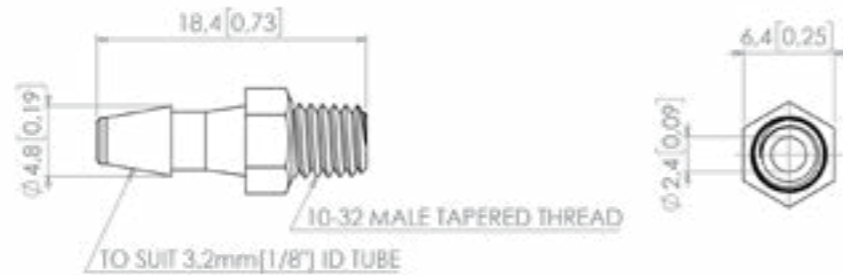


#### Technical Data

**Max. Inlet Pressure:** 8.62 bar (125 psi)  
**Connection 1:** 1/8" (3.2mm) ID Tube  
**Connection 2:** 10-32 Male Tapered Thread  
**Mounting Style:** Threaded  
**Wetted Materials:** Animal Free Polypropylene  
**Non-wetted Materials:** Animal Free Polypropylene  
**Media/Ambient Temperature:** -22°C to 65°C (-9°F to 150°F)  
**RoHS/REACH Compliant:** Yes  
**Cleanroom Manufactured:** No  
**Regulatory Information:** USP Class VI, Meets FDA requirements 21 CFR 177.1520(a)(3)(i) and (c)3.1a  
**Other Technical Data:** An Animal Free Polypropylene straight threaded adaptor with 10-32 male tapered thread and barb to suit 1/8" (3.2mm) ID tube.

Price starting from: £0.53

\*Larger quantity price breaks available



### E-F-210401 - Kynar Straight Threaded Adaptor, 10-32 Male Tapered Thread to 1/8" (3.2mm) ID Tube

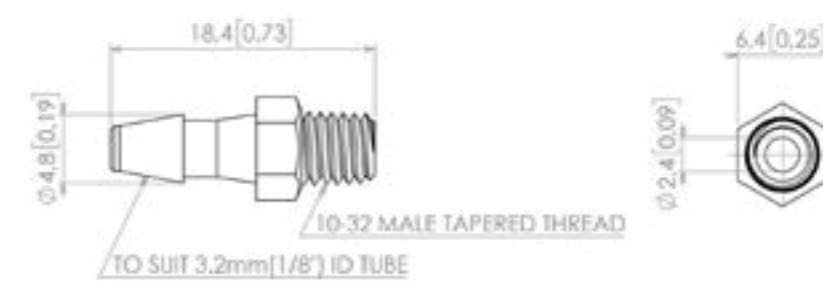


#### Technical Data

**Max. Inlet Pressure:** 17.92 bar (260 psi)  
**Connection 1:** 1/8" (3.2mm) ID Tube  
**Connection 2:** 10-32 Male Tapered Thread  
**Mounting Style:** Threaded  
**Wetted Materials:** Kynar  
**Non-wetted Materials:** Kynar  
**Media/Ambient Temperature:** -62°C to 107°C (-80°F to 226°F)  
**RoHS/REACH Compliant:** Yes  
**Cleanroom Manufactured:** No  
**Regulatory Information:** USP Class VI, Meets FDA requirements 21 CFR 177.1510, California Prop.65  
**Other Technical Data:** A Kynar straight threaded adaptor with 10-32 male tapered thread and barb to suit 1/8" (3.2mm) ID tube.

Price starting from: £0.83

\*Larger quantity price breaks available



#### More from this range



1/16" Animal Free Polypropylene  
E-F-160290



3/32" Animal Free Polypropylene  
E-F-210400

#### More from this range



1/16" Kynar  
E-F-210408



3/32" Kynar  
E-F-210409

## Straight Connectors - Threaded

### E-F-210061 - Animal Free Polypropylene Straight Threaded Adaptor, M6x1 Male Thread to 1/8" (3.2mm) ID Tube

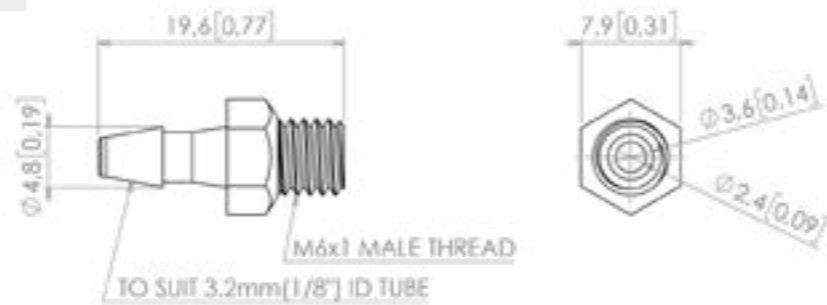


#### Technical Data

**Max. Inlet Pressure:** 8.62 bar (125 psi)  
**Connection 1:** 1/8" (3.2mm) ID Tube  
**Connection 2:** M6x1 Male Thread  
**Mounting Style:** Threaded  
**Wetted Materials:** Animal Free Polypropylene  
**Non-wetted Materials:** Animal Free Polypropylene  
**Media/Ambient Temperature:** -22°C to 65°C (-9°F to 150°F)  
**RoHS/REACH Compliant:** Yes  
**Cleanroom Manufactured:** No  
**Regulatory Information:** USP Class VI, Meets FDA requirements 21 CFR 177.1520(a)(3)(i) and (c)3.1a  
**Other Technical Data:** An Animal Free Polypropylene straight threaded adaptor with M6x1 male thread and barb to suit 1/8" (3.2mm) ID tube.

Price starting from: £0.91

\*Larger quantity price breaks available



### E-F-210403 - Kynar Straight Threaded Adaptor, M6x1 Male Thread to 1/8" (3.2mm) ID Tube

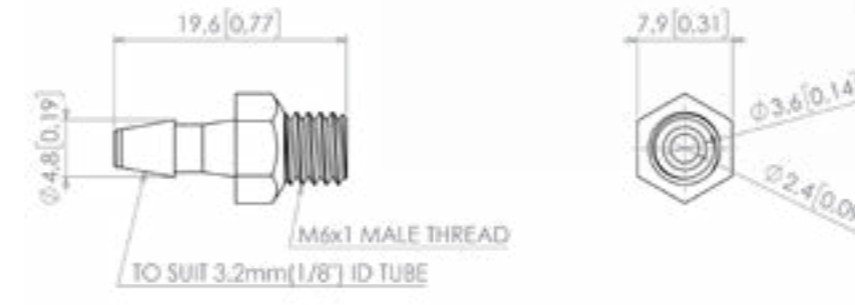
#### Technical Data

**Max. Inlet Pressure:** 17.92 bar (260 psi)  
**Connection 1:** 1/8" (3.2mm) ID Tube  
**Connection 2:** M6x1 Male Thread  
**Mounting Style:** Threaded  
**Wetted Materials:** Kynar  
**Non-wetted Materials:** Kynar  
**Media/Ambient Temperature:** -62°C to 107°C (-80°F to 226°F)  
**RoHS/REACH Compliant:** Yes  
**Cleanroom Manufactured:** No  
**Regulatory Information:** USP Class VI, Meets FDA requirements 21 CFR 177.1510, California Prop.65  
**Other Technical Data:** A Kynar straight threaded adaptor with M6x1 male thread and barb to suit 1/8" (3.2mm) ID tube.



Price starting from: £1.22

\*Larger quantity price breaks available



#### More from this range



3/32" Animal Free Polypropylene  
E-F-210135



3/16" Animal Free Polypropylene  
E-F-210079

#### More from this range



3/32" Kynar  
E-F-210402



3/16" Kynar  
E-F-210410



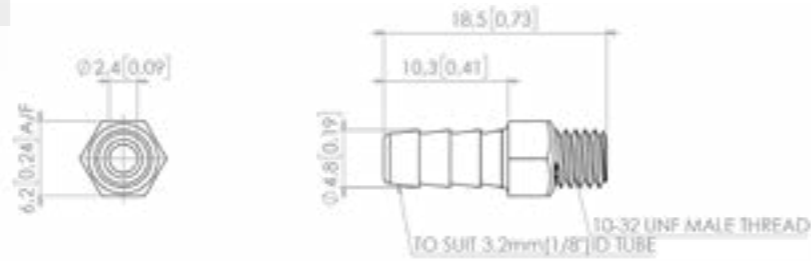
## Straight Connectors - Multi Barb

**E-F-170637** - Black Nylon Straight Multi Barb Adaptor, 1/8" (3.2mm) ID Tube to 10-32 UNF Male Thread



### Technical Data

Max. Inlet Pressure: 8.62 bar (125 psi)  
 Connection 1: 1/8" (3.2mm) ID Tube  
 Connection 2: 10-32 UNF Male Thread  
 Mounting Style: Threaded  
 Wetted Materials: Nylon  
 Non-wetted Materials: Nylon  
 RoHS/REACH Compliant: Yes  
 Cleanroom Manufactured: No  
 Other Technical Data: Suitable for compressed air and vacuum.



Price starting from: £0.48

\*Larger quantity price breaks available

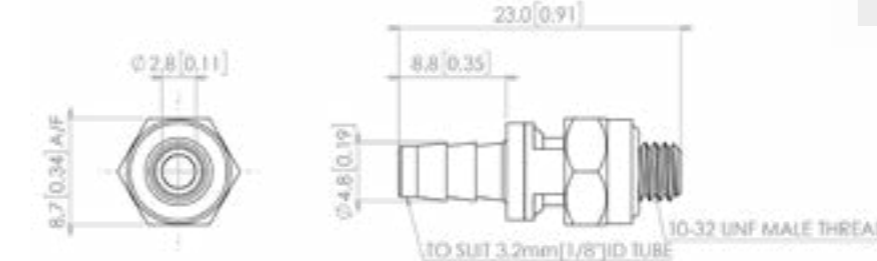
## Straight Connectors - Multi Barb - Swivel

**E-F-170654** - Black Nylon Swivel Straight Multi Barb Adaptor (Undercut with O-ring Seal), Buna-N Seal, 1/8" (3.2mm) ID Tube to 10-32 UNF Male Thread



### Technical Data

Max. Inlet Pressure: 8.62 bar (125 psi)  
 Connection 1: 1/8" (3.2mm) ID Tube  
 Connection 2: 10-32 UNF Male Thread  
 Mounting Style: Threaded  
 Wetted Materials: Nylon, Buna-N  
 Non-wetted Materials: Nylon  
 RoHS/REACH Compliant: Yes  
 Cleanroom Manufactured: No  
 Other Technical Data: A black nylon swivel straight adaptor with a 10-32 UNF male thread and a barbed port for 1/8" (3.2mm) ID flexible tubing comes with an undercut O-ring seal. The 10-32 UNF threads are self-sealing and do not require a gasket.



Price starting from: £4.79

\*Larger quantity price breaks available

### More from this range



1/8"  
Grey Polypropylene  
E-F-170638



1/16"  
Black Nylon  
E-F-170635



1/16"  
Grey Polypropylene  
E-F-170636



.170"  
Black Nylon  
E-F-170639



.170"  
Grey Polypropylene  
E-F-170640

### More from this range



1/8" to 10-32 UNF  
Clear Polypropylene  
E-F-170655



1/16" to 10-32 UNF  
Black Nylon  
E-F-170650



1/16" to 10-32 UNF  
Clear Polypropylene  
E-F-170651



3/32" to 10-32 UNF  
Black Nylon  
E-F-170652



3/32" to 10-32 UNF  
Clear Polypropylene  
E-F-170653



.170" to 10-32 UNF  
Black Nylon  
E-F-170656



.170" to 10-32 UNF  
Clear Polypropylene  
E-F-170657

## Straight Connectors - Multi Barb - Swivel

### E-F-170643 - Black Nylon Swivel Straight Multi Barb Adaptor, Buna-N Seal, 1/8" (3.2mm) ID Tube to 10-32 UNF Male Thread

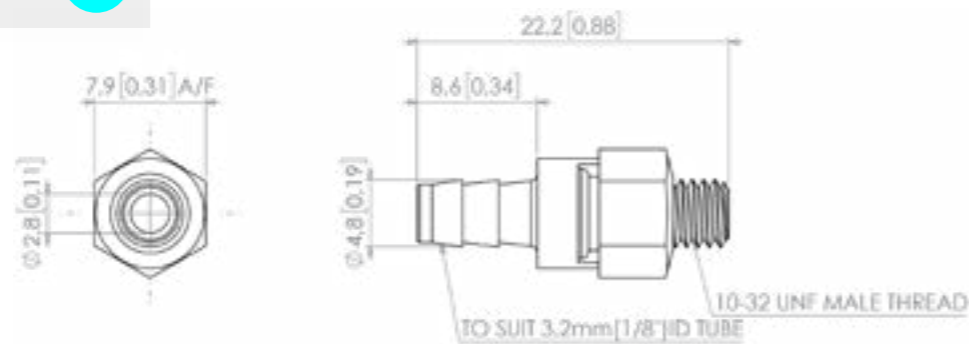


#### Technical Data

**Max. Inlet Pressure:** 8.62 bar (125 psi)  
**Connection 1:** 1/8" (3.2mm) ID Tube  
**Connection 2:** 10-32 UNF Male Thread  
**Mounting Style:** Threaded  
**Wetted Materials:** Nylon, Buna-N  
**Non-wetted Materials:** Nylon  
**RoHS/REACH Compliant:** Yes  
**Cleanroom Manufactured:** No  
**Other Technical Data:** The unique design of the swivel fitting allows the barb to swivel 360° in the threaded base. The 10-32 UNF threads are self-sealing and do not require a gasket.

Price starting from: £3.31

\*Larger quantity price breaks available



More from this range

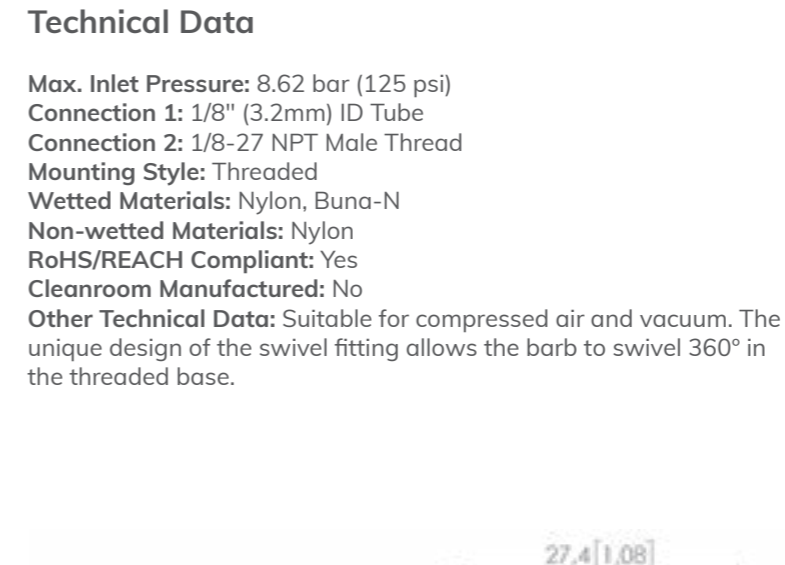


1/16" to 10-32 UNF  
Black Nylon  
E-F-170641



3/32" to 10-32 UNF  
Black Nylon  
E-F-170642

### E-F-170646 - Black Nylon Swivel Straight Multi Barb Adaptor, Buna-N Seal, 1/8" (3.2mm) ID Tube to 1/8-27 NPT Male Thread

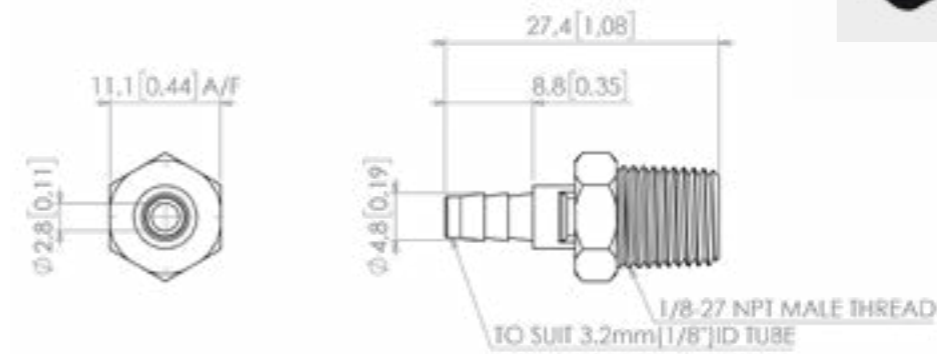


#### Technical Data

**Max. Inlet Pressure:** 8.62 bar (125 psi)  
**Connection 1:** 1/8" (3.2mm) ID Tube  
**Connection 2:** 1/8-27 NPT Male Thread  
**Mounting Style:** Threaded  
**Wetted Materials:** Nylon, Buna-N  
**Non-wetted Materials:** Nylon  
**RoHS/REACH Compliant:** Yes  
**Cleanroom Manufactured:** No  
**Other Technical Data:** Suitable for compressed air and vacuum. The unique design of the swivel fitting allows the barb to swivel 360° in the threaded base.

Price starting from: £3.31

\*Larger quantity price breaks available



More from this range



1/16" to 1/8-27 NPT  
Black Nylon  
E-F-170644



3/32" to 1/8-27 NPT  
Black Nylon  
E-F-170645

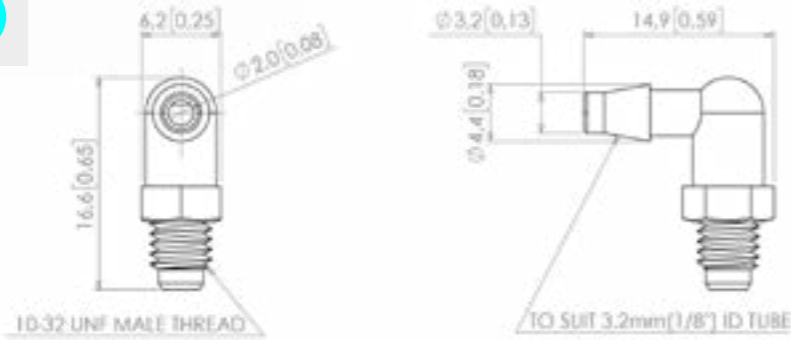
## Elbow Connectors - Threaded

### E-F-200126 - White Nylon Elbow Threaded Adaptor, 10-32 UNF Male Thread to 1/8" (3.2mm) ID Tube



#### Technical Data

**Max. Inlet Pressure:** 8.62 bar (125 psi)  
**Connection 1:** 1/8" (3.2mm) ID Tube (x2)  
**Connection 2:** 10-32 UNF Male Thread  
**Mounting Style:** Threaded  
**Wetted Materials:** Nylon  
**Non-wetted Materials:** Nylon  
**Media/Ambient Temperature:** -51°C to 93°C (-60°F to 200°F)  
**RoHS/REACH Compliant:** Yes  
**Cleanroom Manufactured:** No  
**Other Technical Data:** A White Nylon elbow adaptor with 10-32 UNF male thread and barb to suit 1/8" (3.2mm) ID tube.



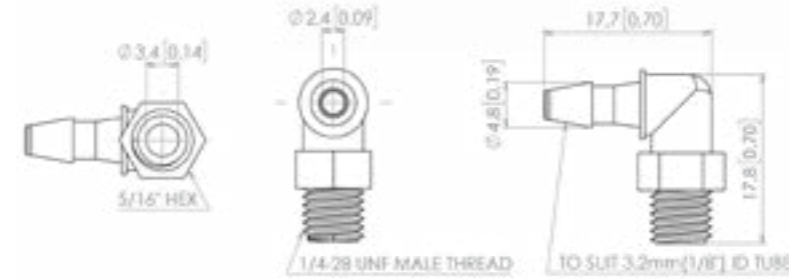
Price starting from: £0.51

\*Larger quantity price breaks available

### E-F-210431 - Animal Free Polypropylene Elbow Threaded Adaptor, 1/4-28 UNF Male Thread to 1/8" (3.2mm) ID Tube

#### Technical Data

**Max. Inlet Pressure:** 8.62 bar (125 psi)  
**Connection 1:** 1/8" (3.2mm) ID Tube  
**Connection 2:** 1/4-28 UNF Male Tapered Thread  
**Mounting Style:** Threaded  
**Wetted Materials:** Animal Free Polypropylene  
**Non-wetted Materials:** Animal Free Polypropylene  
**Media/Ambient Temperature:** -22°C to 65°C (-9°F to 150°F)  
**RoHS/REACH Compliant:** Yes  
**Cleanroom Manufactured:** No  
**Regulatory Information:** USP Class VI, Meets FDA requirements 21 CFR 177.1520(a)(3)(i) and (c)3.1a  
**Other Technical Data:** An Animal Free Polypropylene elbow threaded adaptor with 1/4-28 UNF male thread and barb to suit 1/8" (3.2mm) ID tube.



Price starting from: £1.75

\*Larger quantity price breaks available

#### More from this range



1/16"  
White Nylon  
E-F-210426



1/8" Animal Free  
Polypropylene  
E-F-210428



1/16" Animal Free  
Polypropylene  
E-F-210427

#### More from this range



1/4-28 UNF to 3/16"  
Animal Free Poly.  
E-F-210433



10-32 to 1/8"  
Animal Free Poly.  
E-F-210367

## Elbow Connectors - Threaded

**E-F-210435** - Kynar Elbow Threaded Adaptor, 10-32 Male Tapered Thread to 1/8" (3.2mm) ID Tube



### Technical Data

**Max. Inlet Pressure:** 17.92 bar (260 psi)  
**Connection 1:** 1/8" (3.2mm) ID Tube  
**Connection 2:** 10-32 Male Tapered Thread  
**Mounting Style:** Threaded  
**Wetted Materials:** Kynar  
**Non-wetted Materials:** Kynar  
**Media/Ambient Temperature:** -62°C to 107°C (-80°F to 226°F)  
**RoHS/REACH Compliant:** Yes  
**Cleanroom Manufactured:** No  
**Regulatory Information:** USP Class VI, Meets FDA requirements 21 CFR 177.1510, California Prop. 65  
**Other Technical Data:** A Kynar elbow threaded adaptor with 10-32 male tapered thread and barb to suit 1/8" (3.2mm) ID tube.

Price starting from: £1.55

\*Larger quantity price breaks available



## Straight Connectors - Multi Barb - Swivel

**E-F-170663** - Black Nylon Swivel Elbow Multi Barb Adaptor, Buna-N Seal, 1/8" (3.2mm) ID Tube to 1/8-27 NPT Male Thread

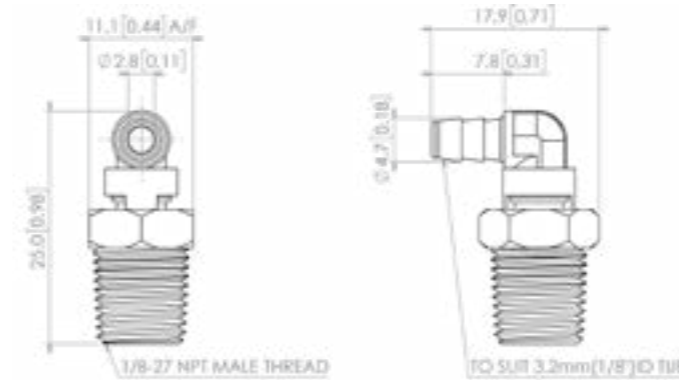
### Technical Data

**Max. Inlet Pressure:** 8.62 bar (125 psi)  
**Connection 1:** 1/8" (3.2mm) ID Tube  
**Connection 2:** 1/8-27 NPT Male Thread  
**Mounting Style:** Threaded  
**Wetted Materials:** Nylon, Buna-N  
**Non-wetted Materials:** Nylon  
**RoHS/REACH Compliant:** Yes  
**Cleanroom Manufactured:** No  
**Other Technical Data:** A black nylon swivel straight adaptor with a 1/8-27 NPT male thread and a barbed port for 1/8" (3.2mm) ID flexible tubing. Suitable for compressed air and vacuum. The unique design of the swivel fitting allows the barb to swivel 360° in the threaded base.



Price starting from: £3.31

\*Larger quantity price breaks available



### More from this range



1/4-28 UNF to 1/8"  
Kynar  
E-F-210432



1/4-28 UNF to 3/16"  
Kynar  
E-F-210434

### More from this range



1/16" to 1/8-27 NPT  
Black Nylon  
E-F-170661



3/32" to 1/8-27 NPT  
Black Nylon  
E-F-170662

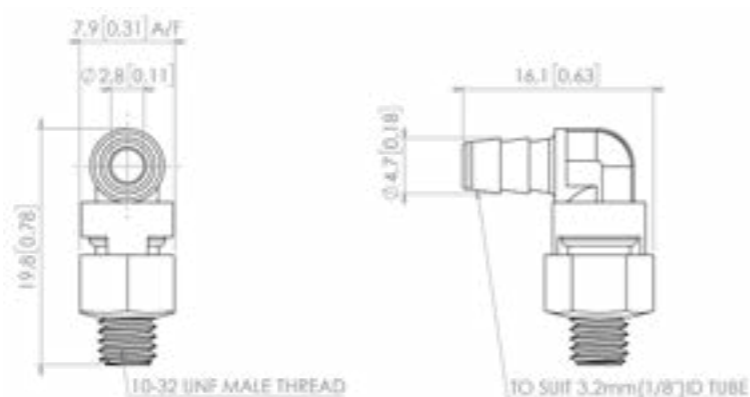
## Elbow Connectors - Multi Barb - Swivel

### E-F-170660 - Black Nylon Swivel Elbow Multi Barb Adaptor, Buna-N Seal, 1/8" (3.2mm) ID Tube to 10-32 UNF Male Thread



#### Technical Data

**Max. Inlet Pressure:** 8.62 bar (125 psi)  
**Connection 1:** 1/8" (3.2mm) ID Tube  
**Connection 2:** 10-32 UNF Male Thread  
**Mounting Style:** Threaded  
**Wetted Materials:** Nylon, Buna-N  
**Non-wetted Materials:** Nylon  
**RoHS/REACH Compliant:** Yes  
**Cleanroom Manufactured:** No  
**Other Technical Data:** A black nylon swivel elbow adaptor with a 10-32 UNF male thread and a barbed port for 1/8" (3.2mm) ID flexible tubing. The unique design of the swivel fitting allows the barb to swivel 360° in the threaded base. The 10-32 UNF threads are self-sealing and do not require a gasket.



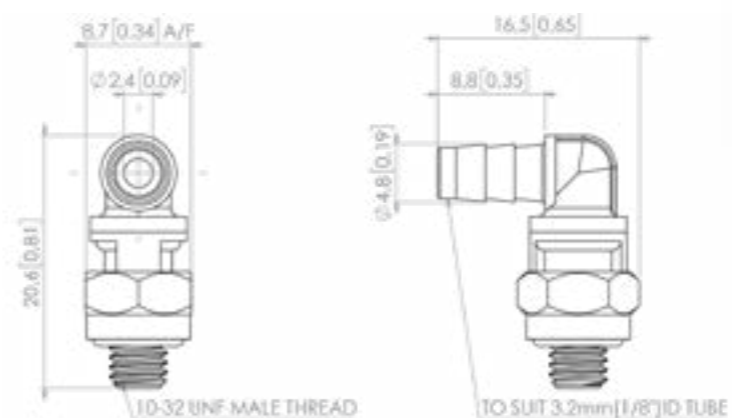
Price starting from: £3.31

\*Larger quantity price breaks available

### E-F-170671 - Black Nylon Swivel Elbow Multi Barb Adaptor (Undercut with O-ring Seal), Buna-N Seal, 1/8" (3.2mm) ID Tube to 10-32 UNF Male Thread

#### Technical Data

**Max. Inlet Pressure:** 8.62 bar (125 psi)  
**Connection 1:** 1/8" (3.2mm) ID Tube  
**Connection 2:** 10-32 UNF Male Thread  
**Mounting Style:** Threaded  
**Wetted Materials:** Nylon, Buna-N  
**Non-wetted Materials:** Nylon  
**RoHS/REACH Compliant:** Yes  
**Cleanroom Manufactured:** No  
**Other Technical Data:** A black nylon swivel elbow adaptor with a 10-32 UNF male thread and a barbed port for 1/8" (3.2mm) ID flexible tubing. The unique design of the swivel fitting allows the barb to swivel 360° in the threaded base. The 10-32 UNF threads are self-sealing and do not require a gasket.



Price starting from: £4.79

\*Larger quantity price breaks available

#### More from this range



1/16" to 10-32 UNF  
Black Nylon  
E-F-170658



3/32" to 10-32 UNF  
Black Nylon  
E-F-170659

#### More from this range



1/8" to 10-32 UNF  
Clear Polypropylene  
E-F-170672



1/16" to 10-32 UNF  
Black Nylon  
E-F-170667



1/16" to 10-32 UNF  
Clear Polypropylene  
E-F-170668



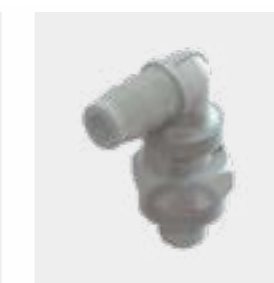
3/32" to 10-32 UNF  
Black Nylon  
E-F-170669



3/32" to 10-32 UNF  
Clear Polypropylene  
E-F-170670



.170" to 10-32 UNF  
Black Nylon  
E-F-170673



.170" to 10-32 UNF  
Clear Polypropylene  
E-F-170674

## Tee Connectors - Multi Barb - Swivel

**E-F-170677** - Black Nylon Swivel Tee Multi Barb Adaptor, Buna-N Seal, 1/8" (3.2mm) ID Tube (x2) to 10-32 UNF Male Thread

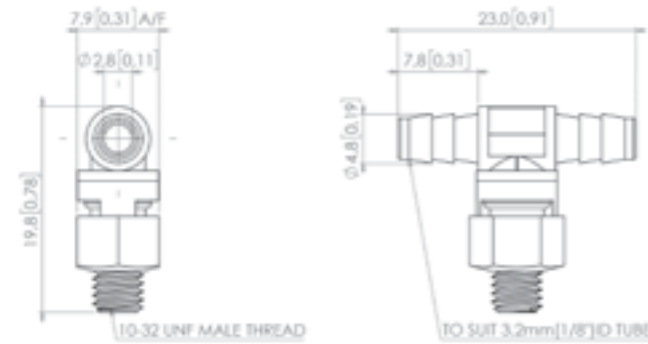


Price starting from: £3.31

\*Larger quantity price breaks available

### Technical Data

Max. Inlet Pressure: 8.62 bar (125 psi)  
 Connection 1: 1/8" (3.2mm) ID Tube (x2)  
 Connection 2: 10-32 UNF Male Thread  
 Mounting Style: Threaded  
 Wetted Materials: Nylon, Buna-N  
 Non-wetted Materials: Nylon  
 RoHS/REACH Compliant: Yes  
 Cleanroom Manufactured: No  
**Other Technical Data:** A Black Nylon swivel tee adaptor with a 10-32 UNF male thread and a barbed port for 1/8" (3.2mm) ID flexible tubing. The unique design of the swivel fitting allows the barb to swivel 360° in the threaded base. The 10-32 UNF threads are self-sealing and do not require a gasket.



**E-F-170680** - Black Nylon Swivel Tee Multi Barb Adaptor, Buna-N Seal, 1/8" (3.2mm) ID Tube (x2) to 1/8-27 NPT Male Thread

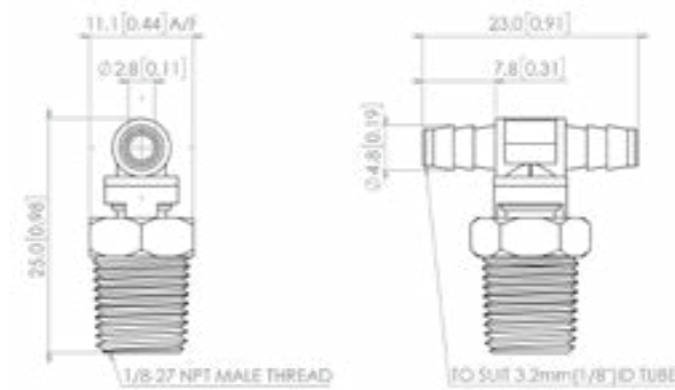


Price starting from: £3.31

\*Larger quantity price breaks available

### Technical Data

Max. Inlet Pressure: 8.62 bar (125 psi)  
 Connection 1: 1/8" (3.2mm) ID Tube (x2)  
 Connection 2: 1/8-27 NPT Male Thread  
 Mounting Style: Threaded  
 Wetted Materials: Nylon, Buna-N  
 Non-wetted Materials: Nylon  
 RoHS/REACH Compliant: Yes  
 Cleanroom Manufactured: No  
**Other Technical Data:** A Black Nylon swivel tee adaptor with a 1/8-27 NPT male thread and a barbed port for 1/8" (3.2mm) ID flexible tubing. Suitable for compressed air and vacuum. The unique design of the swivel fitting allows the barb to swivel 360° in the threaded base.



### More from this range



1/16" (x2) to 10-32 UNF Black Nylon  
E-F-170675



3/32" (x2) to 10-32 UNF Black Nylon  
E-F-170676

### More from this range



1/16" (x2) to 1/8-27 NPT Black Nylon  
E-F-170678



3/32" (x2) to 1/8-27 NPT Black Nylon  
E-F-170679

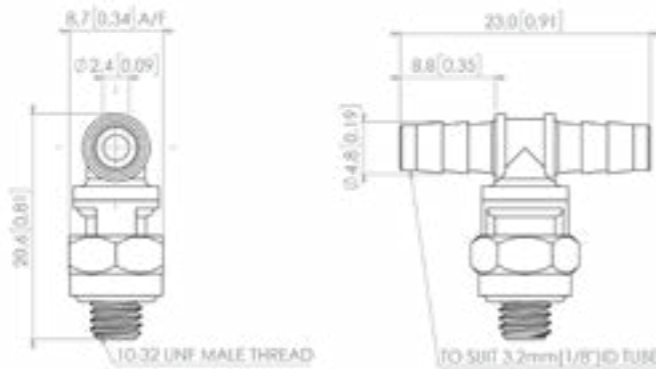
## Tee Connectors - Multi Barb - Undercut Swivel

**E-F-170688** - Black Nylon Swivel Tee Multi Barb Adaptor (Undercut with O-ring Seal), Buna-N Seal, 1/8" (3.2mm) ID Tube (x2) to 10-32 UNF Male Thread



### Technical Data

Max. Inlet Pressure: 8.62 bar (125 psi)  
 Connection 1: 1/8" (3.2mm) ID Tube (x2)  
 Connection 2: 10-32 UNF Male Thread  
 Mounting Style: Threaded  
 Wetted Materials: Nylon, Buna-N  
 Non-wetted Materials: Nylon  
 RoHS/REACH Compliant: Yes  
 Cleanroom Manufactured: No  
**Other Technical Data:** A Black Nylon swivel tee adaptor with a 10-32 UNF male thread and a barbed port for 1/8" (3.2mm) ID flexible tubing come with an undercut O-ring seal. The unique design of the swivel fitting allows the barb to swivel 360° in the threaded base. The 10-32 UNF threads are self-sealing and do not require a gasket.



Price starting from: £4.79

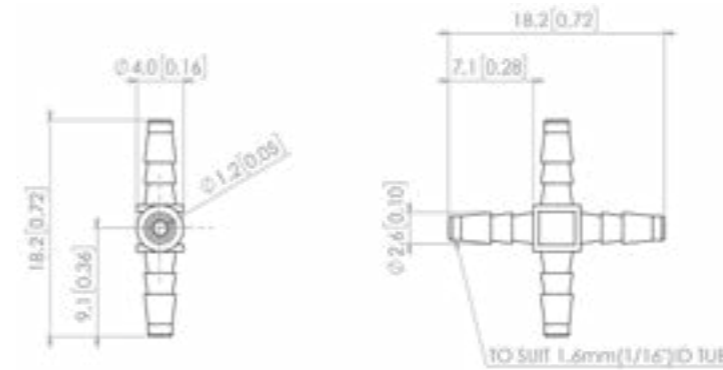
\*Larger quantity price breaks available

## Cross Connectors - Multi Barb

**E-F-170631** - Black Nylon Equal Cross Multi Barb Connector, 1/16" (1.6mm) ID Tube (x4)

### Technical Data

Max. Inlet Pressure: 8.62 bar (125 psi)  
 Connections: 1/16" (1.6mm) ID Tube (x4)  
 Mounting Style: In-Line  
 Wetted Materials: Nylon  
 Non-wetted Materials: Nylon  
 RoHS/REACH Compliant: Yes  
 Cleanroom Manufactured: No  
**Other Technical Data:** A black nylon equal cross connector with barbed ports for 1/16" (1.6mm) ID flexible tubing. Suitable for compressed air and vacuum.



Price starting from: £2.12

\*Larger quantity price breaks available

Grey Polypropylene  
**E-F-170632**



### More from this range



1/8" (x2) to 10-32 UNF Clear Poly.  
**E-F-170689**



1/16" (x2) to 10-32 UNF Black Nylon  
**E-F-170684**



1/16" (x2) to 10-32 UNF Clear Poly.  
**E-F-170685**



3/32" (x2) to 10-32 UNF Black Nylon  
**E-F-170686**



3/32" (x2) to 10-32 UNF Clear Poly.  
**E-F-170687**



.170" (x2) to 10-32 UNF Black Nylon  
**E-F-170690**

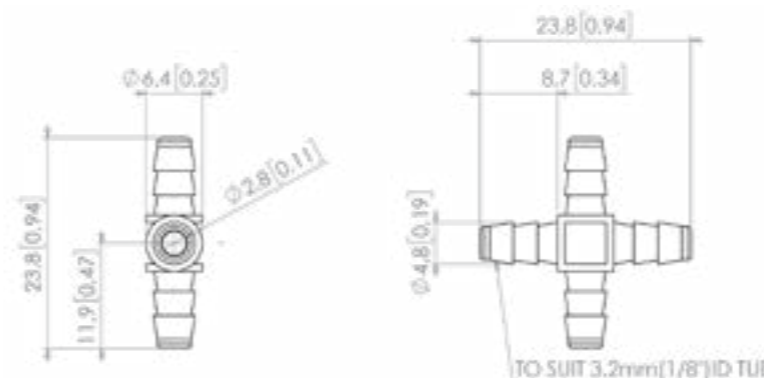


.170" (x2) to 10-32 UNF Clear Poly.  
**E-F-170691**

**E-F-170633** - Black Nylon Equal Cross Multi Barb Connector, 1/8" (3.2mm) ID Tube (x4)

### Technical Data

Max. Inlet Pressure: 8.62 bar (125 psi)  
 Connections: 1/8" (3.2mm) ID Tube (x4)  
 Mounting Style: In-Line  
 Wetted Materials: Nylon  
 Non-wetted Materials: Nylon  
 RoHS/REACH Compliant: Yes  
 Cleanroom Manufactured: No  
**Other Technical Data:** A black nylon equal cross connector with barbed ports for 1/8" (3.2mm) ID flexible tubing. Suitable for compressed air and vacuum.



Price starting from: £2.12

\*Larger quantity price breaks available

Grey Polypropylene  
**E-F-170634**



# Metal Fittings



## Key features include:

- Optional style and size of connection
- RoHS and REACH compliant
- Compatible tubing available



Soft tubing - 50-85 Shore A

## Miniature metal fittings are vital components in all fluidic applications.

We have a large selection of fittings and adaptors that are suitable for various markets such as medical, scientific, analytical and industrial.

There are many different material options available which include Stainless Steel 316 and Nickel Plated Brass. Types of fittings we include are straight, elbows, tees, crosses, panel mounts and accessories. We also offer different styles including barb to barb, barb to thread and threaded adaptors.

Fittings are a vital part in all fluidic applications and, with our varied selection, you are sure to find the part you are looking for.

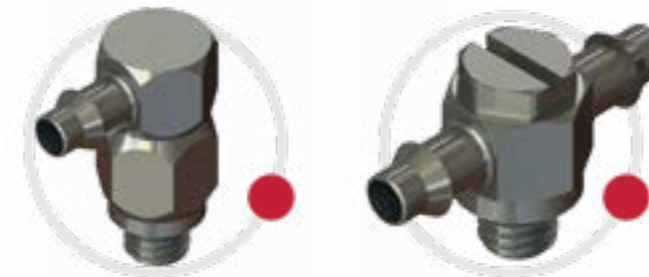
Tubing is a perfect partner to our fittings range – throughout we are offering guidance on which is best suited to our fittings: the green dot fittings are compatible with hard tubing and the blue dot fittings are compatible with soft tubing.

## Types of fittings we offer:

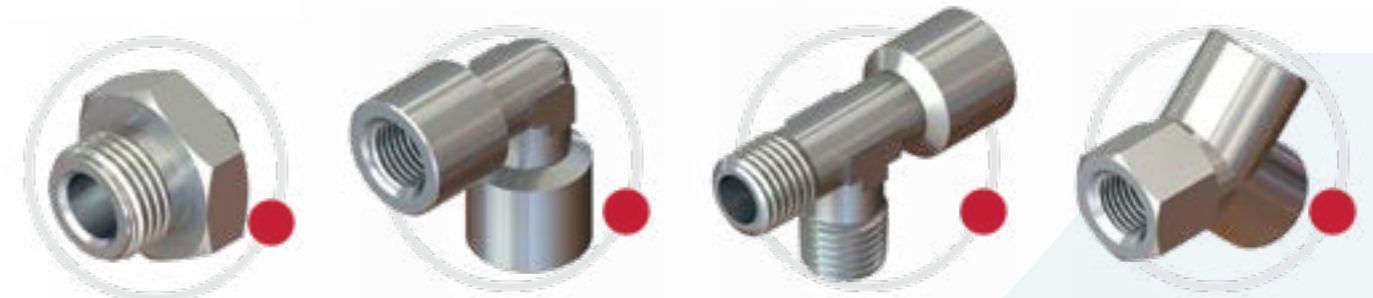
### Barb to Barb



### Barb to Thread



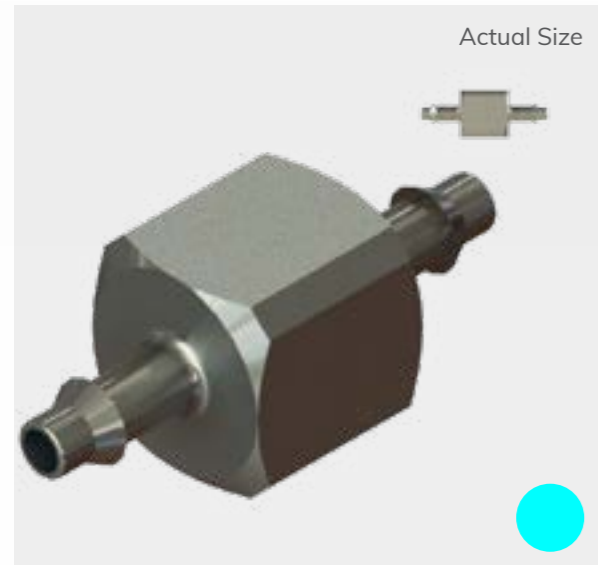
### Accessories





## Straight Connector - Barb to Barb

### E-F-210438 - Nickel Plated Brass Equal Straight Connector, 1/16" (1.6mm) ID Tube (x2)

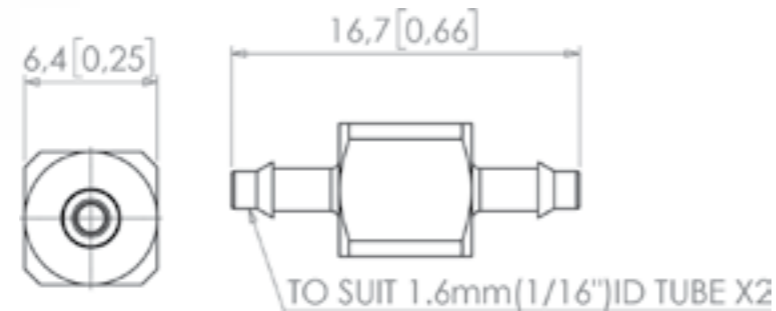


Price starting from: £16.21

\*Larger quantity price breaks available

#### Technical Data

Max. Inlet Pressure: 10.34 bar (150 psi)  
 Connections: 1/16" (1.6mm) ID Tube (x2)  
 Mounting Style: In-Line  
 Wetted Materials: Nickel Plated Brass  
 Non-wetted Materials: Nickel Plated Brass  
 Media/Ambient Temperature: -0 to 60°C (-32 to 140°F)  
 RoHS/REACH Compliant: Yes  
 Cleanroom Manufactured: No  
 Other Technical Data: Compatible with pneumatic applications. The product is designed for use with flexible tube or stiff tube made with Nylon, Polyurethane, Polyethylene or Polypropylene.

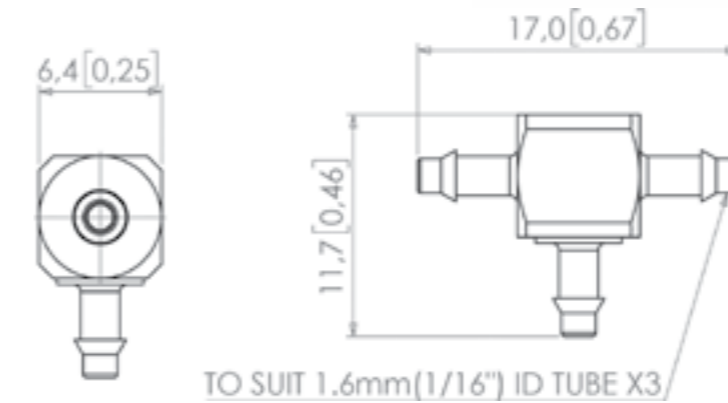


## Tee Connectors - Barb to Barb

### E-F-210440 - Nickel Plated Brass Equal Tee Connector, 1/16" (1.6mm) ID Tube (x3)

#### Technical Data

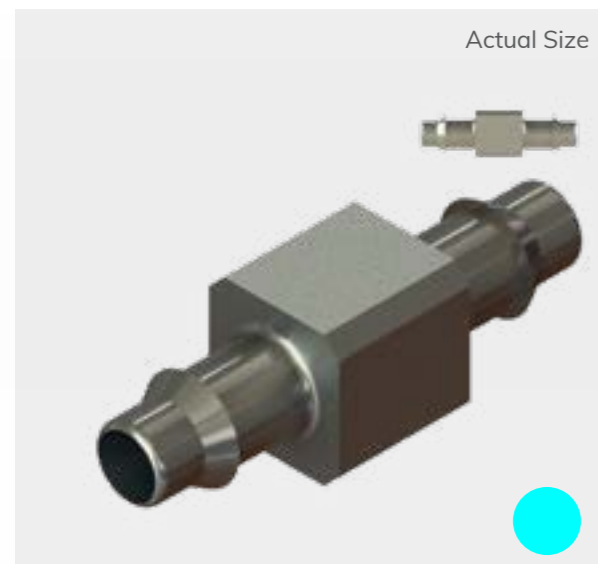
Max. Inlet Pressure: 10.34 bar (150 psi)  
 Connections: 1/16" (1.6mm) ID Tube (x3)  
 Mounting Style: In-Line  
 Wetted Materials: Nickel Plated Brass  
 Non-wetted Materials: Nickel Plated Brass  
 Media/Ambient Temperature: -0 to 60°C (-32 to 140°F)  
 RoHS/REACH Compliant: Yes  
 Cleanroom Manufactured: No  
 Other Technical Data: Compatible with pneumatic applications. The product is designed for use with flexible tube or stiff tube made with Nylon, Polyurethane, Polyethylene or Polypropylene.



Price starting from: £24.99

\*Larger quantity price breaks available

### E-F-210439 - Nickel Plated Brass Equal Straight Connector, 1/8" (3.2mm) ID Tube (x2)

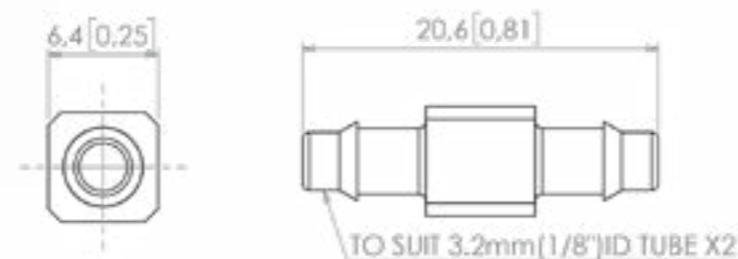


Price starting from: £14.23

\*Larger quantity price breaks available

#### Technical Data

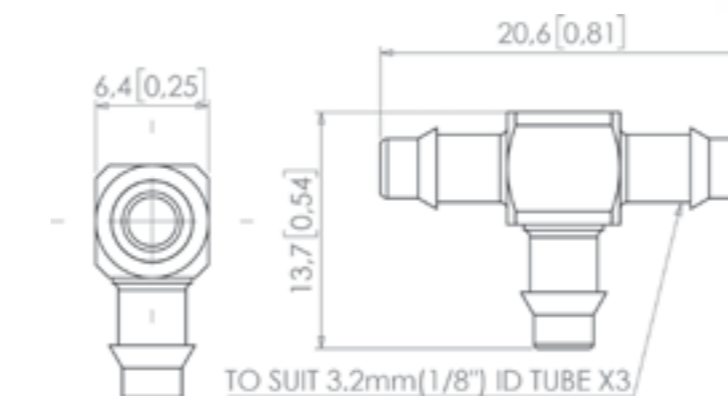
Max. Inlet Pressure: 10.34 bar (150 psi)  
 Connections: 1/8" (3.2mm) ID Tube (x2)  
 Mounting Style: In-Line  
 Wetted Materials: Nickel Plated Brass  
 Non-wetted Materials: Nickel Plated Brass  
 Media/Ambient Temperature: -0 to 60°C (-32 to 140°F)  
 RoHS/REACH Compliant: Yes  
 Cleanroom Manufactured: No  
 Other Technical Data: Compatible with pneumatic applications. The product is designed for use with flexible tube or stiff tube made with Nylon, Polyurethane, Polyethylene or Polypropylene.



### E-F-210441 - Nickel Plated Brass Equal Tee Connector, 1/8" (3.2mm) ID Tube (x3)

#### Technical Data

Max. Inlet Pressure: 10.34 bar (150 psi)  
 Connections: 1/8" (3.2mm) ID Tube (x3)  
 Mounting Style: In-Line  
 Wetted Materials: Nickel Plated Brass  
 Non-wetted Materials: Nickel Plated Brass  
 Media/Ambient Temperature: -0 to 60°C (-32 to 140°F)  
 RoHS/REACH Compliant: Yes  
 Cleanroom Manufactured: No  
 Other Technical Data: Compatible with pneumatic applications. The product is designed for use with flexible tube or stiff tube made with Nylon, Polyurethane, Polyethylene or Polypropylene.

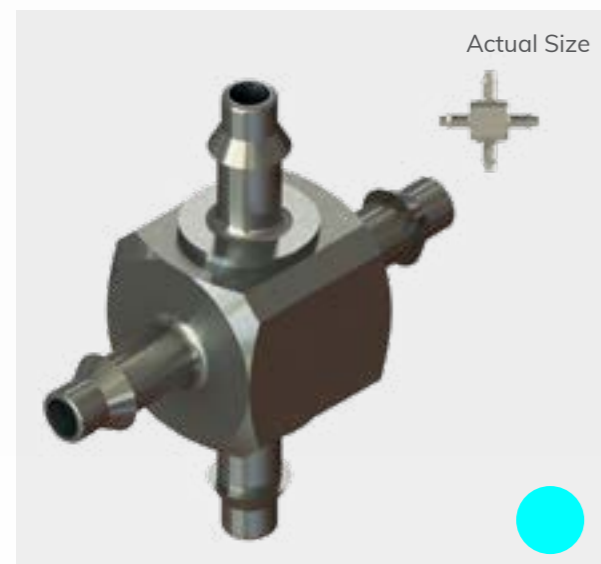


Price starting from: £29.53

\*Larger quantity price breaks available

## Cross Connectors - Barb to Barb

### E-F-210442 - Nickel Plated Brass Equal Cross Connector, 1/16" (1.6mm) ID Tube (x4)

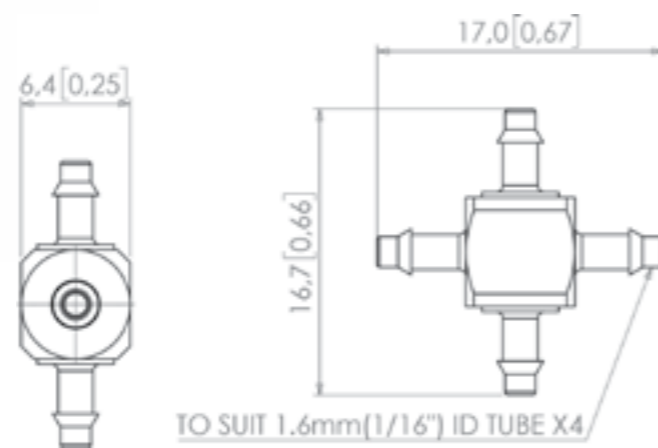


Price starting from: £35.99

\*Larger quantity price breaks available

#### Technical Data

**Max. Inlet Pressure:** 10.34 bar (150 psi)  
**Connections:** 1/16" (1.6mm) ID Tube (x4)  
**Mounting Style:** In-Line  
**Wetted Materials:** Nickel Plated Brass  
**Non-wetted Materials:** Nickel Plated Brass  
**Media/Ambient Temperature:** -0 to 60°C (-32 to 140°F)  
**RoHS/REACH Compliant:** Yes  
**Cleanroom Manufactured:** No  
**Other Technical Data:** Compatible with pneumatic applications. The product is designed for use with flexible tube or stiff tube made with Nylon, Polyurethane, Polyethylene or Polypropylene.

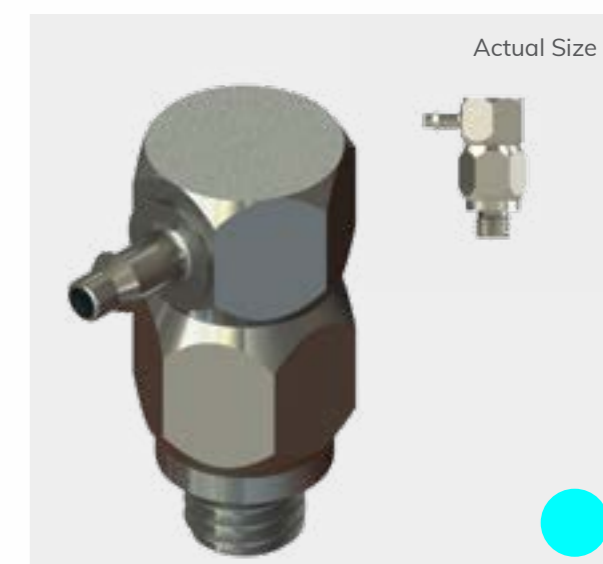
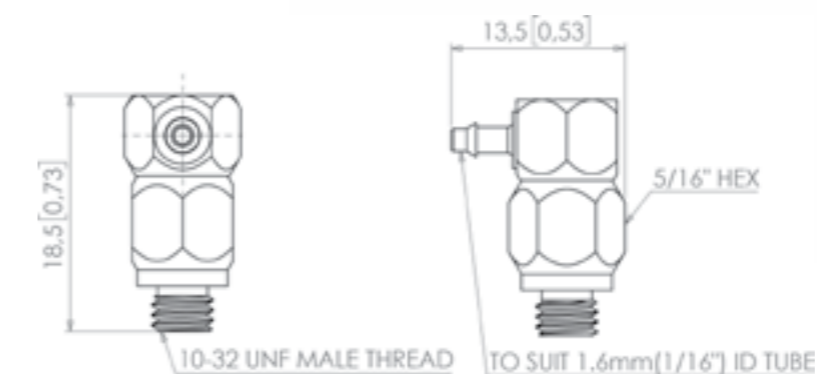


## Elbow Connectors - Barb to Thread

### E-F-210452 - Nickel Plated Brass Swivel Elbow Adaptor, Buna-N Seal, 10-32 UNF Male Thread to 1/16" (1.6mm) ID Tube

#### Technical Data

**Max. Inlet Pressure:** 10.34 bar (150 psi)  
**Connection 1:** 1/16" (1.6mm) ID Tube  
**Connection 2:** 10-32 UNF Male Thread  
**Mounting Style:** Threaded  
**Wetted Materials:** Nickel Plated Brass, Buna-N  
**Non-wetted Materials:** Nickel Plated Brass  
**Media/Ambient Temperature:** -0 to 60°C (-32 to 140°F)  
**RoHS/REACH Compliant:** Yes  
**Cleanroom Manufactured:** No  
**Other Technical Data:** Compatible with pneumatic applications. The product is designed for use with flexible tube or stiff tube made with Nylon, Polyurethane, Polyethylene or Polypropylene.



Price starting from: £59.56

\*Larger quantity price breaks available

### E-F-210443 - Nickel Plated Brass Equal Cross Connector, 1/8" (3.2mm) ID Tube (x4)

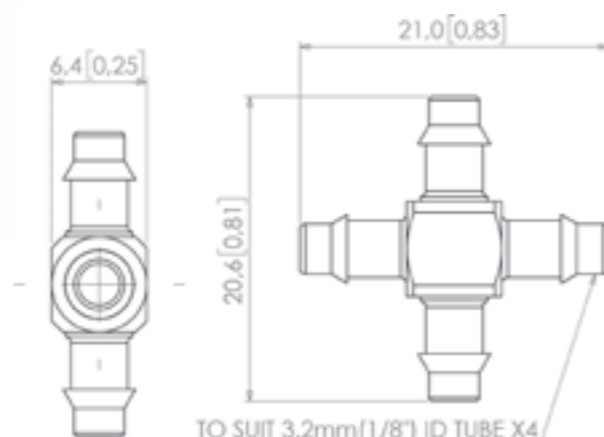


Price starting from: £36.42

\*Larger quantity price breaks available

#### Technical Data

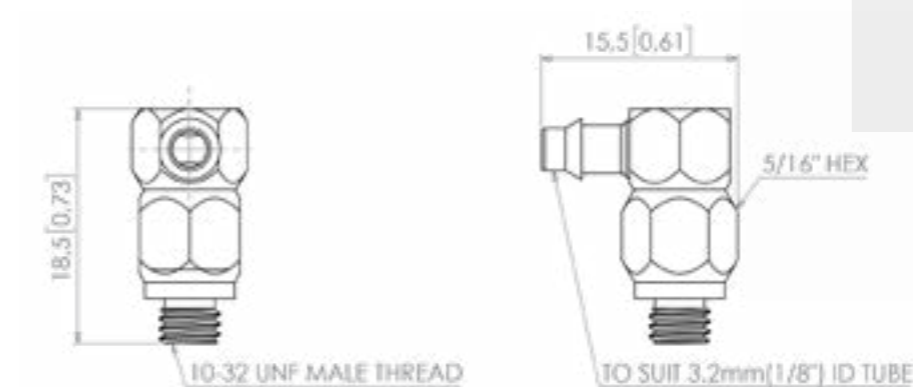
**Max. Inlet Pressure:** 10.34 bar (150 psi)  
**Connections:** 1/8" (3.2mm) ID Tube (x4)  
**Mounting Style:** In-Line  
**Wetted Materials:** Nickel Plated Brass  
**Non-wetted Materials:** Nickel Plated Brass  
**Media/Ambient Temperature:** -0 to 60°C (-32 to 140°F)  
**RoHS/REACH Compliant:** Yes  
**Cleanroom Manufactured:** No  
**Other Technical Data:** Compatible with pneumatic applications. The product is designed for use with flexible tube or stiff tube made with Nylon, Polyurethane, Polyethylene or Polypropylene.



### E-F-200039 - Nickel Plated Brass Swivel Elbow Adaptor, Buna-N Seal, 10-32 UNF Male Thread to 1/8" (3.2mm) ID Tube

#### Technical Data

**Max. Inlet Pressure:** 10.34 bar (150 psi)  
**Connection 1:** 1/8" (3.2mm) ID Tube  
**Connection 2:** 10-32 UNF Male Thread  
**Mounting Style:** Threaded  
**Wetted Materials:** Nickel Plated Brass, Buna-N  
**Non-wetted Materials:** Nickel Plated Brass  
**Media/Ambient Temperature:** -0 to 60°C (-32 to 140°F)  
**RoHS/REACH Compliant:** Yes  
**Cleanroom Manufactured:** No  
**Other Technical Data:** Compatible with pneumatic applications. The product is designed for use with flexible tube or stiff tube made with Nylon, Polyurethane, Polyethylene or Polypropylene.



Price starting from: £56.58

\*Larger quantity price breaks available

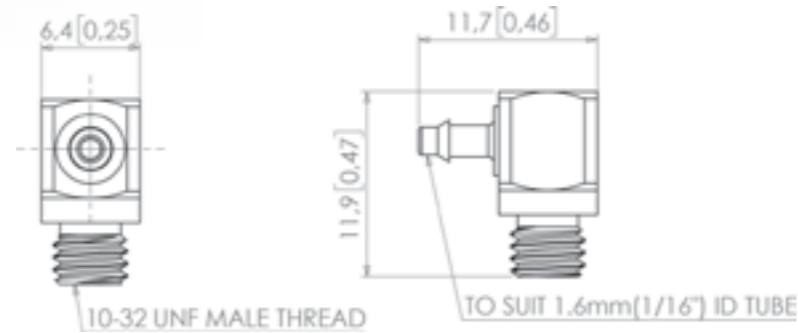
**E-F-210444 - Nickel Plated Brass Elbow Threaded Adaptor, 10-32 UNF Male Thread to 1/16" (1.6mm) ID Tube**



Price starting from: £26.68  
\*Larger quantity price breaks available

**Technical Data**

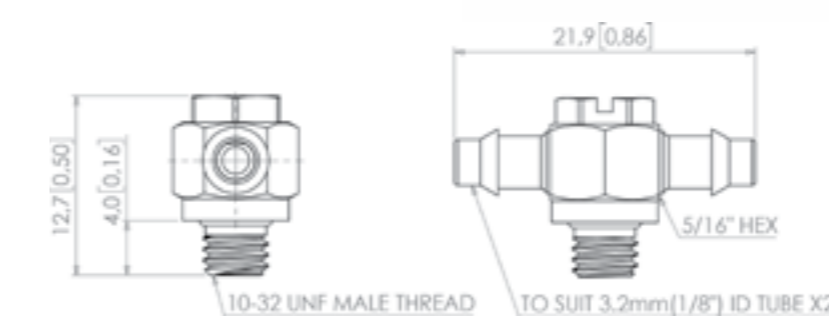
Max. Inlet Pressure: 10.34 bar (150 psi)  
 Connection 1: 1/16" (1.6mm) ID Tube  
 Connection 2: 10-32 UNF Male Thread  
 Mounting Style: Threaded  
 Wetted Materials: Nickel Plated Brass  
 Non-wetted Materials: Nickel Plated Brass  
 Media/Ambient Temperature: -0 to 60°C (-32 to 140°F)  
 RoHS/REACH Compliant: Yes  
 Cleanroom Manufactured: No  
 Other Technical Data: Compatible with pneumatic applications. The product is designed for use with flexible tube or stiff tube made with Nylon, Polyurethane, Polyethylene or Polypropylene.



**Tee Connectors - Barb to Thread**

**E-F-210451 - Nickel Plated Brass Positionable Tee Threaded Adaptor, Buna-N Seal, 10-32 UNF Male Thread to 1/8" (3.2mm) ID Tube (x2)**

Max. Inlet Pressure: 10.34 bar (150 psi)  
 Connection 1: 1/8" (3.2mm) ID Tube (x2)  
 Connection 2: 10-32 UNF Male Thread  
 Mounting Style: Threaded  
 Wetted Materials: Nickel Plated Brass, Buna-N  
 Non-wetted Materials: Nickel Plated Brass  
 Media/Ambient Temperature: -0 to 60°C (-32 to 140°F)  
 RoHS/REACH Compliant: Yes  
 Cleanroom Manufactured: No  
 Other Technical Data: Compatible with pneumatic applications. The product is designed for use with flexible tube or stiff tube made with Nylon, Polyurethane, Polyethylene or Polypropylene.



Price starting from: £52.28  
\*Larger quantity price breaks available

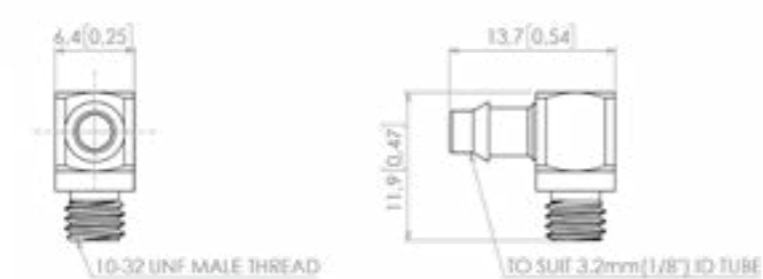
**E-F-210445 - Nickel Plated Brass Elbow Threaded Adaptor, Buna-N Seal, 10-32 UNF Male Thread to 1/8" (3.2mm) ID Tube**



Price starting from: £27.33  
\*Larger quantity price breaks available

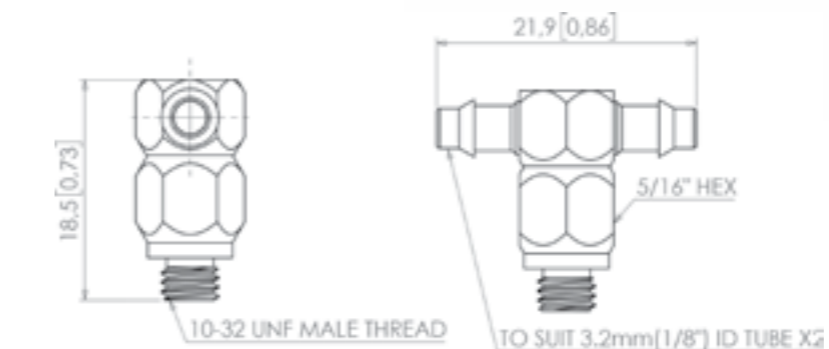
**Technical Data**

Max. Inlet Pressure: 10.34 bar (150 psi)  
 Connection 1: 1/8" (3.2mm) ID Tube  
 Connection 2: 10-32 UNF Male Thread  
 Mounting Style: Threaded  
 Wetted Materials: Nickel Plated Brass  
 Non-wetted Materials: Nickel Plated Brass  
 Media/Ambient Temperature: -0 to 60°C (-32 to 140°F)  
 RoHS/REACH Compliant: Yes  
 Cleanroom Manufactured: No  
 Other Technical Data: Compatible with pneumatic applications. The product is designed for use with flexible tube or stiff tube made with Nylon, Polyurethane, Polyethylene or Polypropylene.



**E-F-210454 - Nickel Plated Brass Swivel Tee Adaptor, Buna-N Seal, 10-32 UNF Male Thread to 1/8" (3.2mm) ID Tube (x2)**

Max. Inlet Pressure: 10.34 bar (150 psi)  
 Connection 1: 1/8" (3.2mm) ID Tube (x2)  
 Connection 2: 10-32 UNF Male Thread  
 Mounting Style: Threaded  
 Wetted Materials: Nickel Plated Brass, Buna-N  
 Non-wetted Materials: Nickel Plated Brass  
 Media/Ambient Temperature: -0 to 60°C (-32 to 140°F)  
 RoHS/REACH Compliant: Yes  
 Cleanroom Manufactured: No  
 Other Technical Data: Compatible with pneumatic applications. The product is designed for use with flexible tube or stiff tube made with Nylon, Polyurethane, Polyethylene or Polypropylene.



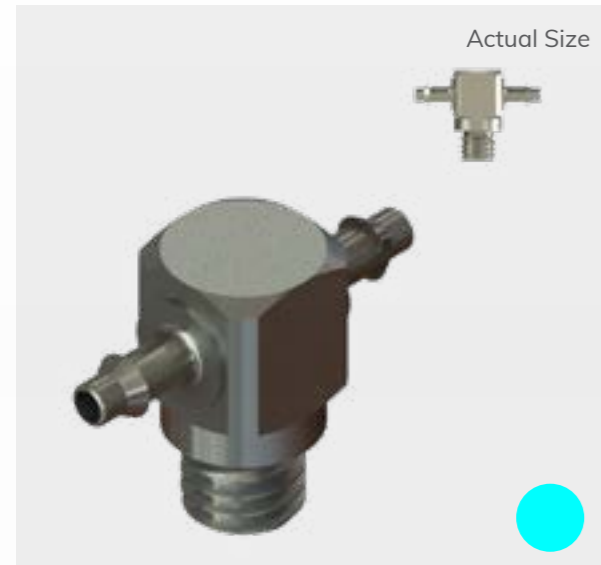
Price starting from: £71.44  
\*Larger quantity price breaks available

1/16" E-F-210450



## Tee Connectors - Barb to Thread

**E-F-210446** - Nickel Plated Brass Tee Threaded Adaptor, Buna-N Seal, 10-32 UNF Male Thread to 1/16" (1.6mm) ID Tube (x2)

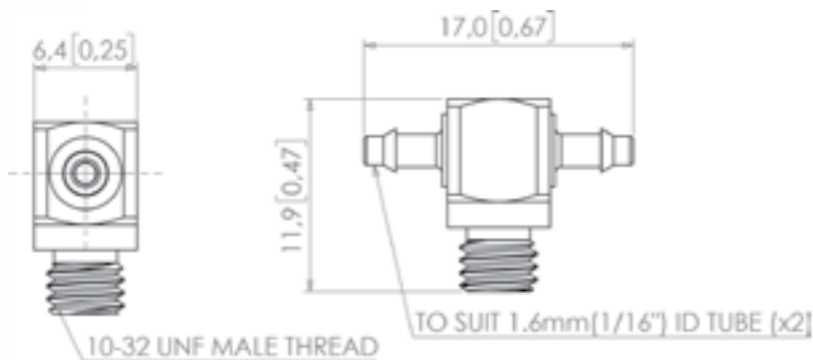


Price starting from: £36.90

\*Larger quantity price breaks available

### Technical Data

**Max. Inlet Pressure:** 10.34 bar (150 psi)  
**Connection 1:** 1/16" (1.6mm) ID Tube (x2)  
**Connection 2:** 10-32 UNF Male Thread  
**Mounting Style:** Threaded  
**Wetted Materials:** Nickel Plated Brass  
**Non-wetted Materials:** Nickel Plated Brass  
**Media/Ambient Temperature:** -0 to 60°C (-32 to 140°F)  
**RoHS/REACH Compliant:** Yes  
**Cleanroom Manufactured:** No  
**Other Technical Data:** Compatible with pneumatic applications. The product is designed for use with flexible tube or stiff tube made with Nylon, Polyurethane, Polyethylene or Polypropylene. Buna-N gasket included, but not installed.

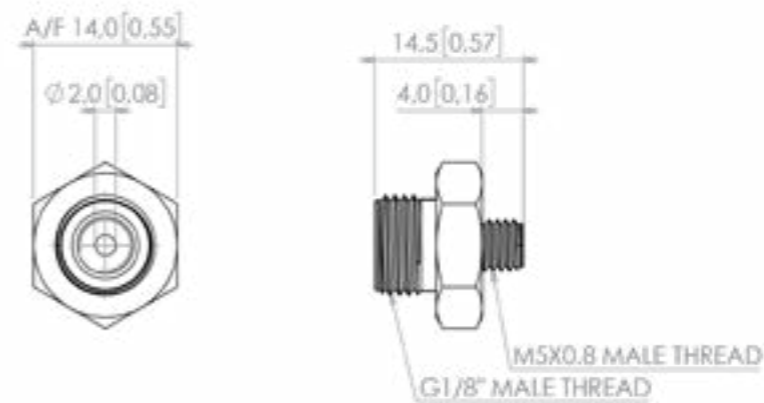


## Accessories - Straight Connectors

**E-F-171053** - Nickel Plated Brass Straight Threaded Adaptor, 1/8" BSPP Male Thread to M5x0.8 Male Thread

### Technical Data

**Max. Inlet Pressure:** 60 bar (870 psi)  
**Connection 1:** 1/8" BSPP Male Thread  
**Connection 2:** M5x0.8 Male Thread  
**Mounting Style:** Threaded  
**Wetted Materials:** Nickel Plated Brass  
**Non-wetted Materials:** Nickel Plated Brass  
**Media/Ambient Temperature:** -40 to 150°C (-40 to 302°F)  
**RoHS/REACH Compliant:** Yes  
**Cleanroom Manufactured:** No  
**Other Technical Data:** Nickel Plated Brass reducing male nipple with 1/8" BSPP thread to M5x0.8 thread. Suitable for compressed air and vacuum.



Price starting from: £0.78

\*Larger quantity price breaks available

**E-F-210447** - Nickel Plated Brass Tee Threaded Adaptor, Buna-N Seal, 10-32 UNF Male Thread to 1/8" (3.2mm) ID Tube (x2)

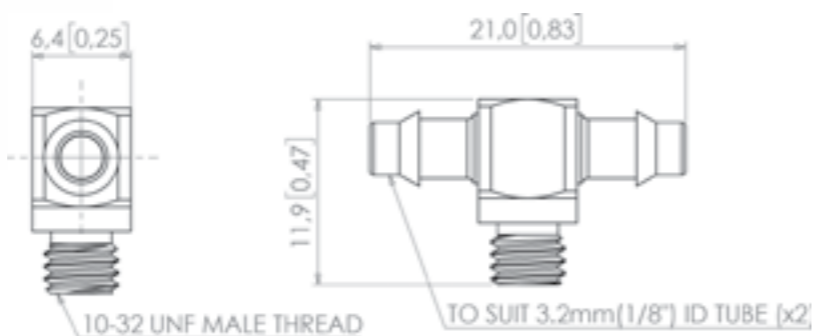


Price starting from: £35.41

\*Larger quantity price breaks available

### Technical Data

**Max. Inlet Pressure:** 10.34 bar (150 psi)  
**Connection 1:** 1/8" (3.2mm) ID Tube (x2)  
**Connection 2:** 10-32 UNF Male Thread  
**Mounting Style:** Threaded  
**Wetted Materials:** Nickel Plated Brass  
**Non-wetted Materials:** Nickel Plated Brass  
**Media/Ambient Temperature:** -0 to 60°C (-32 to 140°F)  
**RoHS/REACH Compliant:** Yes  
**Cleanroom Manufactured:** No  
**Other Technical Data:** Compatible with pneumatic applications. The product is designed for use with flexible tube or stiff tube made with Nylon, Polyurethane, Polyethylene or Polypropylene. Buna-N gasket included, but not installed.



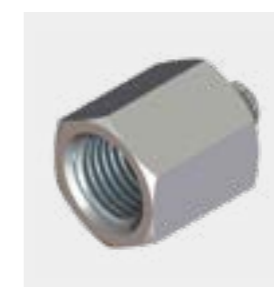
## More from this range



1/8" BSPP Male to 1/8" BSPP Female  
E-F-171064



1/8" BSPP Female to 1/8" BSPT Male  
E-F-171065



1/8" BSPP Female to M5x0.8 Male  
E-F-171068



1/8" BSPP Female to 1/8" BSPP Male  
E-F-171069

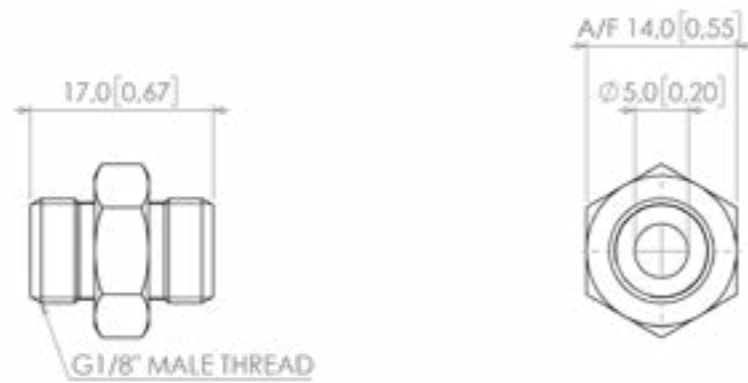
## Accessories - Straight Connectors

### E-F-171054 - Nickel Plated Brass Equal Straight Threaded Adaptor, 1/8" BSPP Male Thread (x2)



#### Technical Data

**Max. Inlet Pressure:** 60 bar (870 psi)  
**Connections:** 1/8" BSPP Male Thread (x2)  
**Mounting Style:** Threaded  
**Wetted Materials:** Nickel Plated Brass  
**Non-wetted Materials:** Nickel Plated Brass  
**Media/Ambient Temperature:** -40 to 150°C (-40 to 302°F)  
**RoHS/REACH Compliant:** Yes  
**Cleanroom Manufactured:** No  
**Other Technical Data:** Nickel Plated Brass equal male nipple with 1/8" BSPP thread. Suitable for compressed air and vacuum.



Price starting from: £0.85

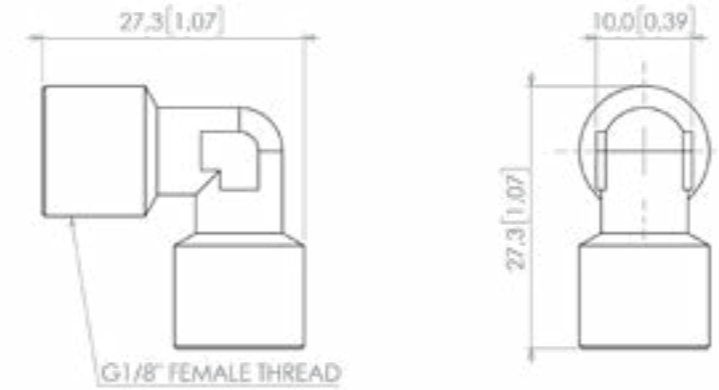
\*Larger quantity price breaks available

## Accessories - Elbow Connectors

### E-F-171077 - Nickel Plated Brass Equal Elbow Threaded Adaptor, 1/8" BSPP Female Thread (x2)

#### Technical Data

**Max. Inlet Pressure:** 60 bar (870 psi)  
**Connections:** 1/8" BSPP Female Thread (x2)  
**Mounting Style:** Threaded  
**Wetted Materials:** Nickel Plated Brass  
**Non-wetted Materials:** Nickel Plated Brass  
**Media/Ambient Temperature:** -40 to 150°C (-40 to 302°F)  
**RoHS/REACH Compliant:** Yes  
**Cleanroom Manufactured:** No  
**Other Technical Data:** A Nickel Plated Brass equal female elbow adaptor with 1/8" BSPP female thread. Suitable for compressed air and vacuum.



Price starting from: £1.88

\*Larger quantity price breaks available

#### More from this range



1/8" BSPT  
Male Thread (x2)  
E-F-171057



1/8" BSPP  
Female Thread (x2)  
E-F-171061



M5x0.8  
Male Thread (x2)  
E-F-171052



M5x0.8  
Female Thread (x2)  
E-F-171060

#### More from this range



1/8" BSPT Male to  
1/8" BSPP Female  
E-F-171079



1/8" BSPT  
Male (x2)  
E-F-171089

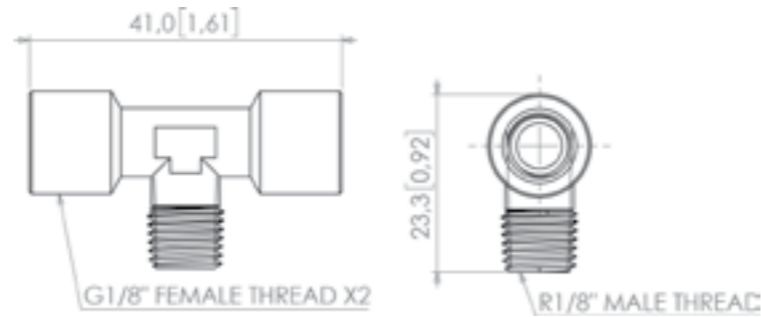
## Accessories - Tee Connectors

### E-F-171083 - Nickel Plated Brass Branch Tee Adaptor, 1/8" BSPP Female Thread (x2) to 1/8" BSPT Male Thread



#### Technical Data

Max. Inlet Pressure: 60 bar (870 psi)  
 Connection 1: 1/8" BSPP Female Thread (x2)  
 Connection 2: 1/8" BSPT Male Thread  
 Mounting Style: Threaded  
 Wetted Materials: Nickel Plated Brass  
 Non-wetted Materials: Nickel Plated Brass  
 Media/Ambient Temperature: -40 to 150°C (-40 to 302°F)  
 RoHS/REACH Compliant: Yes  
 Cleanroom Manufactured: No  
 Other Technical Data: Suitable for compressed air and vacuum.



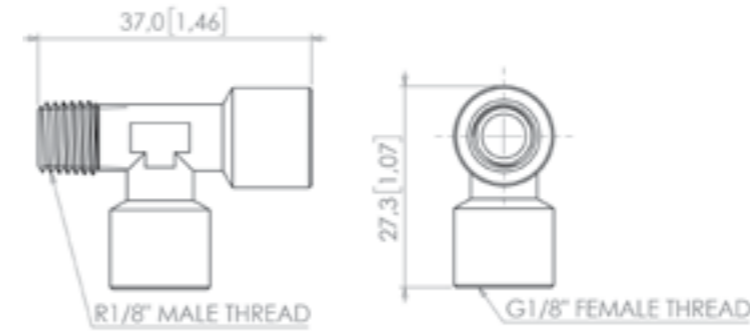
Price starting from: £2.34

\*Larger quantity price breaks available

### E-F-171085 - Nickel Plated Brass Run Tee Adaptor, 1/8" BSPP Female Thread (x2) to 1/8" BSPT Male Thread

#### Technical Data

Max. Inlet Pressure: 60 bar (870 psi)  
 Connection 1: 1/8" BSPT Male Thread  
 Connection 2: 1/8" BSPP Female Thread (x2)  
 Mounting Style: Threaded  
 Wetted Materials: Nickel Plated Brass  
 Non-wetted Materials: Nickel Plated Brass  
 Media/Ambient Temperature: -40 to 150°C (-40 to 302°F)  
 RoHS/REACH Compliant: Yes  
 Cleanroom Manufactured: No  
 Other Technical Data: Suitable for compressed air and vacuum.



Price starting from: £2.34

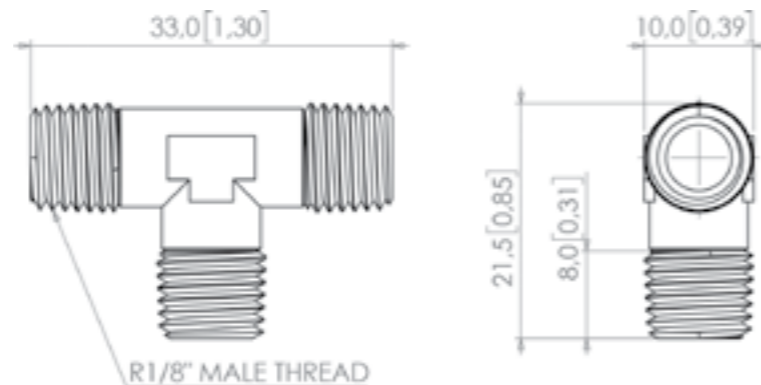
\*Larger quantity price breaks available

### E-F-171091 - Nickel Plated Brass Equal Tee Adaptor, 1/8" BSPT Male Thread (x3)



#### Technical Data

Max. Inlet Pressure: 60 bar (870 psi)  
 Connections: 1/8" BSPT Male Thread  
 Mounting Style: Threaded  
 Wetted Materials: Nickel Plated Brass  
 Non-wetted Materials: Nickel Plated Brass  
 Media/Ambient Temperature: -40 to 150°C (-40 to 302°F)  
 RoHS/REACH Compliant: Yes  
 Cleanroom Manufactured: No  
 Other Technical Data: Suitable for compressed air and vacuum.



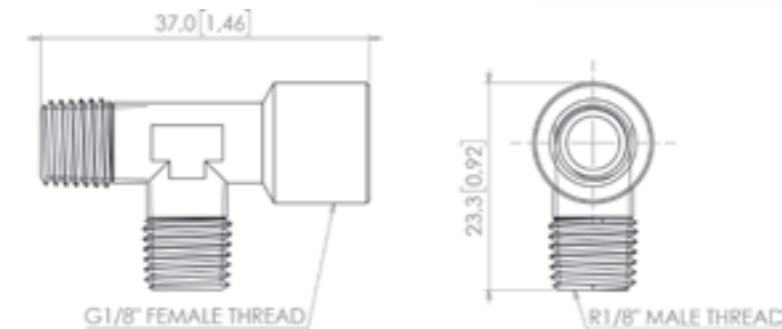
Price starting from: £2.34

\*Larger quantity price breaks available

### E-F-171095 - Nickel Plated Brass Run Tee Adaptor, 1/8" BSPT Male Thread (x2) to 1/8" BSPP Female Thread

#### Technical Data

Max. Inlet Pressure: 60 bar (870 psi)  
 Connection 1: 1/8" BSPT Male Thread (x2)  
 Connection 2: 1/8" BSPP Female Thread  
 Mounting Style: Threaded  
 Wetted Materials: Nickel Plated Brass  
 Non-wetted Materials: Nickel Plated Brass  
 Media/Ambient Temperature: -40 to 150°C (-40 to 302°F)  
 RoHS/REACH Compliant: Yes  
 Cleanroom Manufactured: No  
 Other Technical Data: Suitable for compressed air and vacuum.



Price starting from: £3.73

\*Larger quantity price breaks available

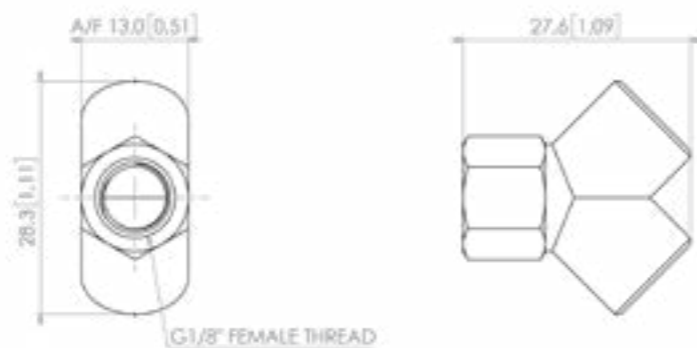
## Accessories - Y Connectors

### E-F-171103 - Nickel Plated Brass Equal 90 Degrees Y Threaded Adaptor, 1/8" BSPP Female Thread (x3)



#### Technical Data

**Max. Inlet Pressure:** 60 bar (870 psi)  
**Connections:** 1/8" BSPP Female Thread (x3)  
**Mounting Style:** Threaded  
**Wetted Materials:** Nickel Plated Brass  
**Non-wetted Materials:** Nickel Plated Brass  
**Media/Ambient Temperature:** -40 to 150°C (-40 to 302°F)  
**RoHS/REACH Compliant:** Yes  
**Cleanroom Manufactured:** No  
**Other Technical Data:** Suitable for compressed air and vacuum.



Price starting from: £2.76

\*Larger quantity price breaks available

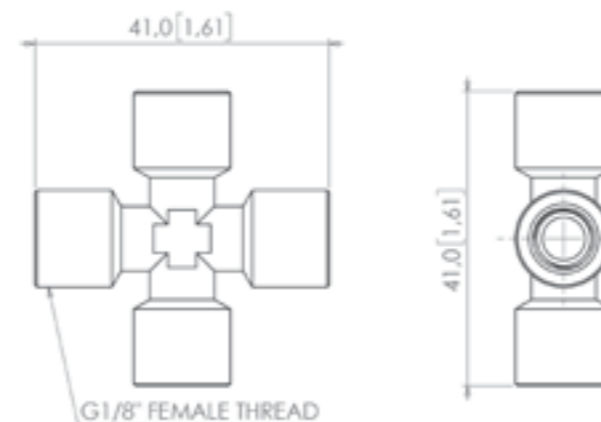
## Accessories - Cross Connectors

### E-F-171087 - Nickel Plated Brass Equal Cross Adaptor, 1/8" BSPP Female Thread (x4)



#### Technical Data

**Max. Inlet Pressure:** 60 bar (870 psi)  
**Connections:** 1/8" BSPP Female Thread (x4)  
**Mounting Style:** Threaded  
**Wetted Materials:** Nickel Plated Brass  
**Non-wetted Materials:** Nickel Plated Brass  
**Media/Ambient Temperature:** -40 to 150°C (-40 to 302°F)  
**RoHS/REACH Compliant:** Yes  
**Cleanroom Manufactured:** No  
**Other Technical Data:** Suitable for compressed air and vacuum.



Price starting from: £4.18

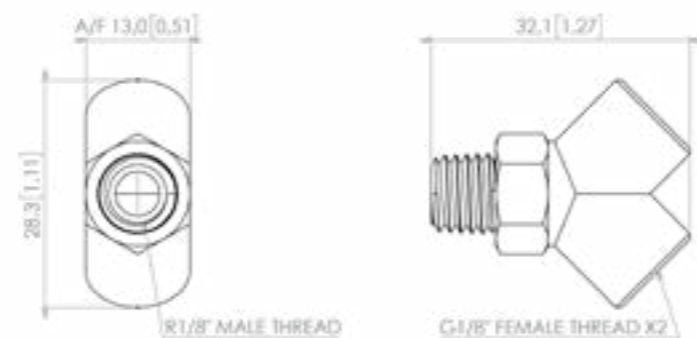
\*Larger quantity price breaks available

### E-F-171105 - Nickel Plated Brass 90 Degrees Y Threaded Adaptor, 1/8" BSPP Female Thread (x2) to 1/8" BSPT Male Thread



#### Technical Data

**Max. Inlet Pressure:** 60 bar (870 psi)  
**Connection 1:** 1/8" BSPT Male Thread  
**Connection 2:** 1/8" BSPP Female Thread (x2)  
**Mounting Style:** Threaded  
**Wetted Materials:** Nickel Plated Brass  
**Non-wetted Materials:** Nickel Plated Brass  
**Media/Ambient Temperature:** -40 to 150°C (-40 to 302°F)  
**RoHS/REACH Compliant:** Yes  
**Cleanroom Manufactured:** No  
**Other Technical Data:** Suitable for compressed air and vacuum.



Price starting from: £3.01

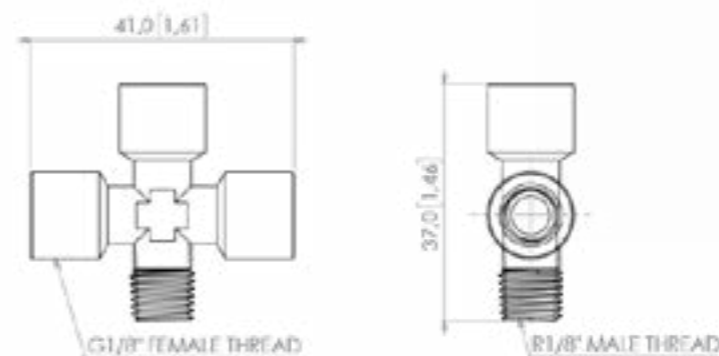
\*Larger quantity price breaks available

### E-F-171099 - Nickel Plated Brass Cross Adaptor, 1/8" BSPP Female Thread (x3) to 1/8" BSPT Male Thread



#### Technical Data

**Max. Inlet Pressure:** 60 bar (870 psi)  
**Connection 1:** 1/8" BSPP Female Thread (x3)  
**Connection 4:** 1/8" BSPT Male Thread  
**Mounting Style:** Threaded  
**Wetted Materials:** Nickel Plated Brass  
**Non-wetted Materials:** Nickel Plated Brass  
**Media/Ambient Temperature:** -40 to 150°C (-40 to 302°F)  
**RoHS/REACH Compliant:** Yes  
**Cleanroom Manufactured:** No  
**Other Technical Data:** Suitable for compressed air and vacuum.



Price starting from: £3.30

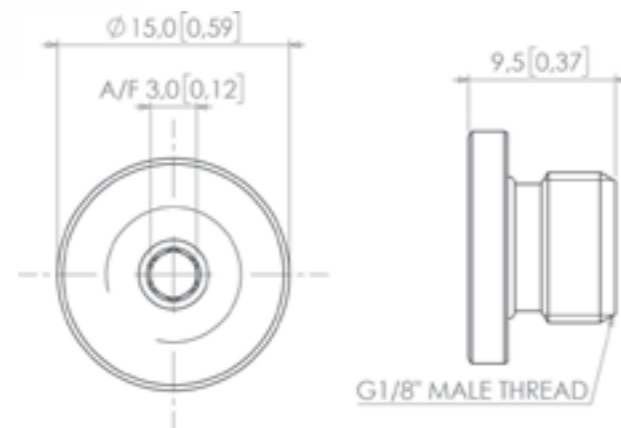
\*Larger quantity price breaks available

E-F-171073 - Nickel Plated Brass Plug, Buna-N Seal, 1/8" BSPP Male Thread



Technical Data

Max. Inlet Pressure: 18 bar (261 psi)  
 Connection 1: None - Closed End  
 Connection 2: 1/8" BSPP Male Thread  
 Mounting Style: Threaded  
 Wetted Materials: Nickel Plated Brass, Buna-N  
 Non-wetted Materials: Nickel Plated Brass  
 Media/Ambient Temperature: -20 to 80°C (-4 to 176°F)  
 RoHS/REACH Compliant: Yes  
 Cleanroom Manufactured: No  
 Other Technical Data: A Nickel Plated Brass Allen head plug with 1/8" BSPP male thread and Buna-N O-ring seal. Suitable for compressed air and vacuum.



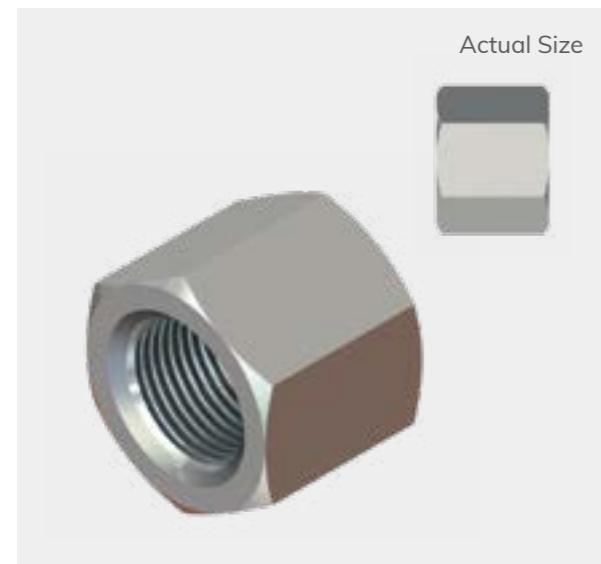
Price starting from: £2.07

\*Larger quantity price breaks available



Also available M5x0.8  
 E-F-171072

E-F-171075 - Nickel Plated Brass Threaded Cap, 1/8" BSPP Female Thread



Technical Data

Max. Inlet Pressure: 60 bar (870 psi)  
 Connection 1: None - Closed End  
 Connection 2: 1/8" BSPP Female Thread  
 Mounting Style: Threaded  
 Wetted Materials: Nickel Plated Brass  
 Non-wetted Materials: Nickel Plated Brass  
 Media/Ambient Temperature: -40 to 150°C (-40 to 302°F)  
 RoHS/REACH Compliant: Yes  
 Cleanroom Manufactured: No  
 Other Technical Data: A Nickel Plated Brass cap with 1/8" BSPP female thread. Suitable for compressed air and vacuum.



Price starting from: £1.67

\*Larger quantity price breaks available



Available Materials:

- New O-ring groove design for better sealing
- Innovative barb design to ensure easy tube insertion
- 1/4" hexagon for a compact design
- Available in 316 Stainless Steel, Brass and Nickel Plated Brass
- O-ring available in EPDM, Nitrile, Silicone and Viton (FKM)

For more information on our EBF Series

Contact us - sales@eoxshop.com



# Plastic Push-In



## Key features include:

- RoHS and REACH compliant
- Oxygen compatible (on selected products)



Hard tubing - 90 - 95 Shore A

## Plastic push-in fittings

Also known as push-to-connect, push-in, push-fit fitting or a quick connect fitting that allows an air (or water) line to be attached.

Available in Nylon and Polypropylene we have many styles including straight, elbow, tees and crosses. We also have a range of oxygen compatible push-in fittings which are used in the medical and analytical markets.

## Types of fittings we offer:

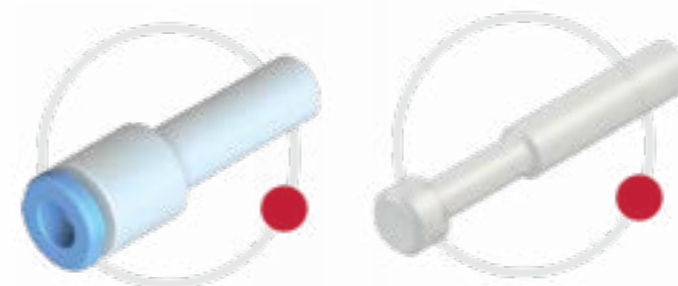
### Equal



### Push-In to Thread



### Accessories



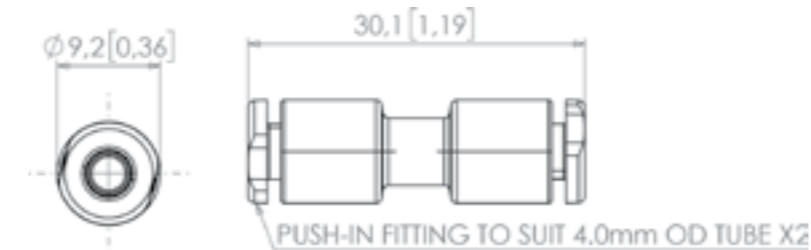
## Equal Straight - Barb

### E-F-220044 - Oxygen Compatible Nylon Equal Straight Connector, EPDM-N Seal, 4.0mm OD Push-In Fitting (x2)



#### Technical Data

**Max. Inlet Pressure:** 16 bar (232 psi)  
**Connections:** 4.0mm (5/32") OD Tube (x2)  
**Mounting Style:** In-Line  
**Wetted Materials:** Nylon, EPDM  
**Non-wetted Materials:** 301 Stainless Steel, Nylon  
**Media/Ambient Temperature:** -20°C to 100°C (-4°F to 212°F)  
**RoHS/REACH Compliant:** Yes  
**Cleanroom Manufactured:** No  
**Regulatory Information:** ISO 15001, CGA G4.1, ASTM G93-03 B  
**Other Technical Data:** This product is designed for life science markets, particularly for medical and analytical applications. Long lasting solution and high level of sealing. Compatible with fluids, gases and clean air. BAM certified grease. This product meets with respiratory regulations, non-volatile residue equal to or less than 550 mg/m<sup>2</sup> cleanliness.



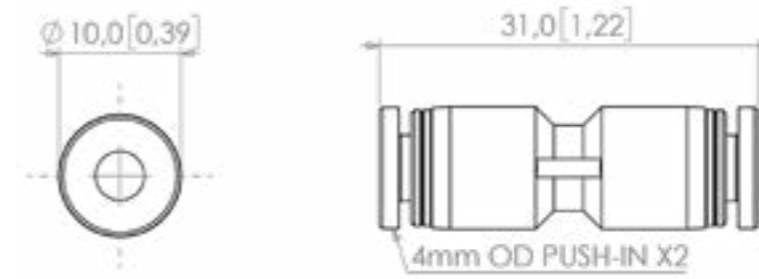
**Price starting from: £3.13**

\*Larger quantity price breaks available

### E-F-170905 - Polypropylene Equal Straight Connector, EPDM Seal, 4.0mm OD Push-In Fitting (x2)

#### Technical Data

**Max. Inlet Pressure:** 10.34 bar (150 psi)  
**Connections:** 4.0mm (5/32") OD Tube (x2)  
**Mounting Style:** In-Line  
**Wetted Materials:** Polypropylene, EPDM  
**Non-wetted Materials:** Polypropylene, 304 Stainless Steel  
**Media/Ambient Temperature:** -20°C to 80°C (-4°F to 176°F)  
**RoHS/REACH Compliant:** Yes  
**Cleanroom Manufactured:** No  
**Other Technical Data:** Suitable for air, water and other chemicals subject to compatibility with construction materials. Clear (semi-transparent) colour used for the resin body makes it possible to visually check the media inside and sanitary conditions thereof.



**Price starting from: £9.45**

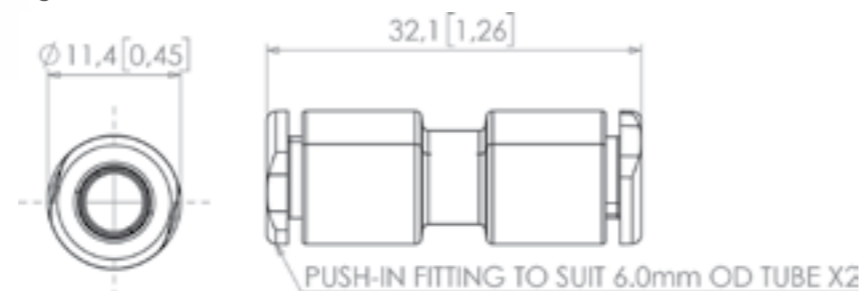
\*Larger quantity price breaks available

### E-F-220045 - Nylon Oxygen Compatible Equal Straight Connector, EPDM-N Seal, 6.0mm OD Push-In Fitting (x2)



#### Technical Data

**Max. Inlet Pressure:** 16 bar (232 psi)  
**Connections:** 6.0mm OD Tube (x2)  
**Mounting Style:** In-Line  
**Wetted Materials:** Nylon, EPDM  
**Non-wetted Materials:** 301 Stainless Steel, Nylon  
**Media/Ambient Temperature:** -20°C to 100°C (-4°F to 212°F)  
**RoHS/REACH Compliant:** Yes  
**Cleanroom Manufactured:** No  
**Regulatory Information:** ISO 15001, CGA G4.1, ASTM G93-03 B  
**Other Technical Data:** This product is designed for life science markets, particularly for medical and analytical applications. Long lasting solution and high level of sealing. Compatible with fluids, gases and clean air. BAM certified grease. This product meets with respiratory regulations, non-volatile residue equal to or less than 550 mg/m<sup>2</sup> cleanliness.



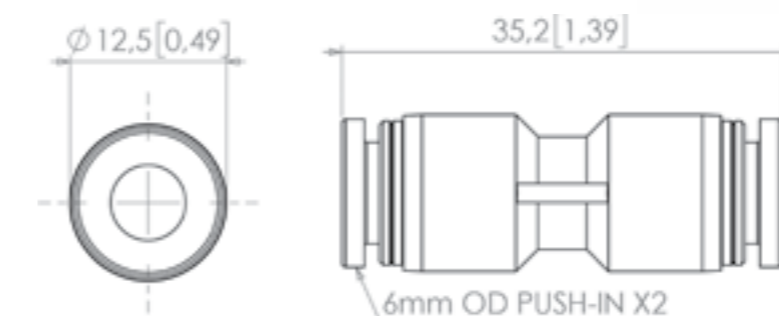
**Price starting from: £3.05**

\*Larger quantity price breaks available

### E-F-170906 - Polypropylene Equal Straight Connector, EPDM Seal, 6.0mm OD Push-In Fitting (x2)

#### Technical Data

**Max. Inlet Pressure:** 10.34 bar (150 psi)  
**Connections:** 6.0mm OD Tube (x2)  
**Mounting Style:** In-Line  
**Wetted Materials:** Polypropylene, EPDM  
**Non-wetted Materials:** Polypropylene, 304 Stainless Steel  
**Media/Ambient Temperature:** -20°C to 80°C (-4°F to 176°F)  
**RoHS/REACH Compliant:** Yes  
**Cleanroom Manufactured:** No  
**Other Technical Data:** Suitable for air, water and other chemicals subject to compatibility with construction materials. Clear (semi-transparent) colour used for the resin body makes it possible to visually check the media inside and sanitary conditions thereof.



**Price starting from: £9.81**

\*Larger quantity price breaks available

## Equal Elbows - Barb

### E-F-220046 - Nylon Oxygen Compatible Equal Elbow Connector, EPDM-N Seal, 4.0mm OD Push-In Fitting (x2)

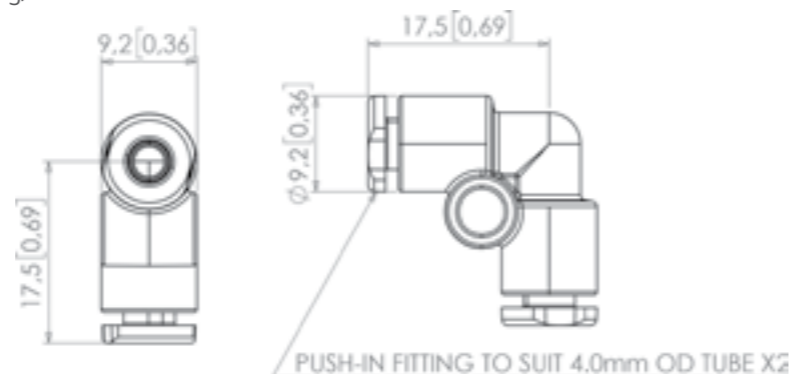


Price starting from: £5.00

\*Larger quantity price breaks available

#### Technical Data

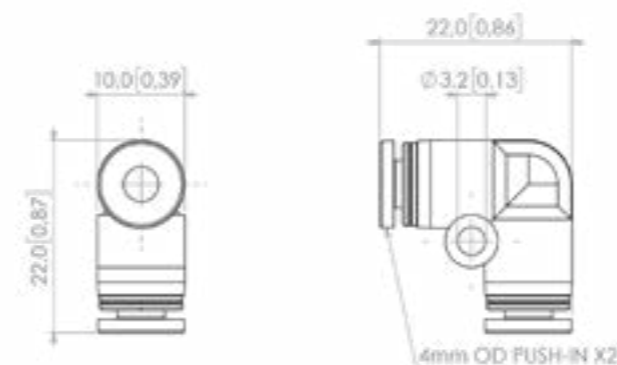
**Max. Inlet Pressure:** 16 bar (232 psi)  
**Connections:** 4.0mm (5/32") OD Tube (x2)  
**Mounting Style:** In-Line  
**Wetted Materials:** Nylon, EPDM  
**Non-wetted Materials:** 301 Stainless Steel, Nylon  
**Media/Ambient Temperature:** -20°C to 100°C (-4°F to 212°F)  
**RoHS/REACH Compliant:** Yes  
**Cleanroom Manufactured:** No  
**Regulatory Information:** ISO 15001, CGA G4.1, ASTM G93-03 B  
**Other Technical Data:** This product is designed for life science markets, particularly for medical and analytical applications. Long lasting solution and high level of sealing. Compatible with fluids, gases and clean air. BAM certified grease. This product meets with respiratory regulations, non-volatile residue equal to or less than 550 mg/m<sup>2</sup> cleanliness.



### E-F-170908 - Polypropylene Equal Elbow Connector, EPDM Seal, 4.0mm OD Push-In Fitting (x2)

#### Technical Data

**Max. Inlet Pressure:** 10.34 bar (150 psi)  
**Connections:** 4.0mm (5/32") OD Tube (x2)  
**Mounting Style:** In-Line  
**Wetted Materials:** Polypropylene, EPDM  
**Non-wetted Materials:** Polypropylene, 304 Stainless Steel  
**Media/Ambient Temperature:** -20°C to 80°C (-4°F to 176°F)  
**RoHS/REACH Compliant:** Yes  
**Cleanroom Manufactured:** No  
**Other Technical Data:** Suitable for air, water and other chemicals subject to compatibility with construction materials. Clear (semi-transparent) colour used for the resin body makes it possible to visually check the media inside and sanitary conditions thereof.



Price starting from: £9.45

\*Larger quantity price breaks available

### E-F-220047 - Nylon Oxygen Compatible Equal Elbow Connector, EPDM-N Seal, 6.0mm OD Push-In Fitting (x2)

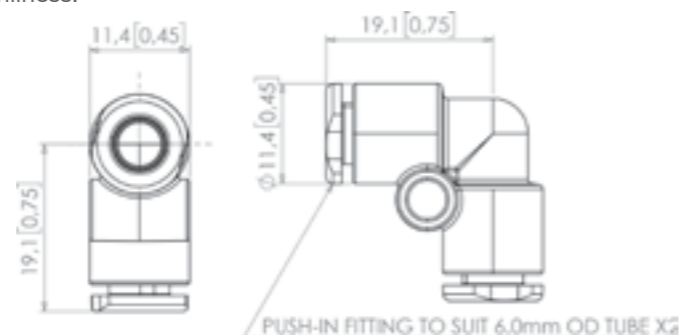


Price starting from: £4.93

\*Larger quantity price breaks available

#### Technical Data

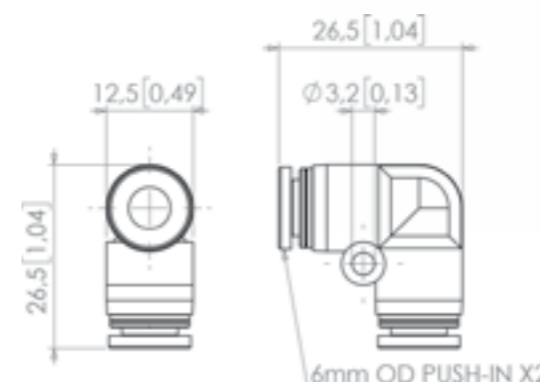
**Max. Inlet Pressure:** 16 bar (232 psi)  
**Connections:** 6.0mm OD Tube (x2)  
**Mounting Style:** In-Line  
**Wetted Materials:** Nylon, EPDM  
**Non-wetted Materials:** 301 Stainless Steel, Nylon  
**Media/Ambient Temperature:** -20°C to 100°C (-4°F to 212°F)  
**RoHS/REACH Compliant:** Yes  
**Cleanroom Manufactured:** No  
**Regulatory Information:** ISO 15001, CGA G4.1, ASTM G93-03 B  
**Other Technical Data:** This product is designed for life science markets, particularly for medical and analytical applications. Long lasting solution and high level of sealing. Compatible with fluids, gases and clean air. BAM certified grease. This product meets with respiratory regulations, non-volatile residue equal to or less than 550 mg/m<sup>2</sup> cleanliness.



### E-F-170909 - Polypropylene Equal Elbow Connector, EPDM Seal, 6.0mm OD Push-In Fitting (x2)

#### Technical Data

**Max. Inlet Pressure:** 10.34 bar (150 psi)  
**Connections:** 6.0mm OD Tube (x2)  
**Mounting Style:** In-Line  
**Wetted Materials:** Polypropylene, EPDM  
**Non-wetted Materials:** Polypropylene, 304 Stainless Steel  
**Media/Ambient Temperature:** -20°C to 80°C (-4°F to 176°F)  
**RoHS/REACH Compliant:** Yes  
**Cleanroom Manufactured:** No  
**Other Technical Data:** Suitable for air, water and other chemicals subject to compatibility with construction materials. Clear (semi-transparent) colour used for the resin body makes it possible to visually check the media inside and sanitary conditions thereof.



Price starting from: £10.40

\*Larger quantity price breaks available

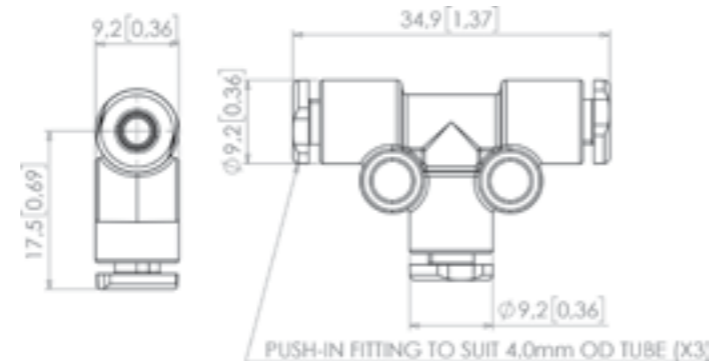
## Equal Tee - Barb

### E-F-220048 - Nylon Oxygen Compatible Equal Tee Connector, EPDM-N Seal, 4.0mm OD Push-In Fitting (x3)



#### Technical Data

**Max. Inlet Pressure:** 16 bar (232 psi)  
**Connections:** 4.0mm (5/32") OD Tube (x3)  
**Mounting Style:** In-Line  
**Wetted Materials:** Nylon, EPDM  
**Non-wetted Materials:** 301 Stainless Steel, Nylon  
**Media/Ambient Temperature:** -20°C to 100°C (-4°F to 212°F)  
**RoHS/REACH Compliant:** Yes  
**Cleanroom Manufactured:** No  
**Regulatory Information:** ISO 15001, CGA G4.1, ASTM G93-03 B  
**Other Technical Data:** This product is designed for life science markets, particularly for medical and analytical applications. Long lasting solution and high level of sealing. Compatible with fluids, gases and clean air. BAM certified grease. This product meets with respiratory regulations, non-volatile residue equal to or less than 550 mg/m<sup>2</sup> cleanliness.



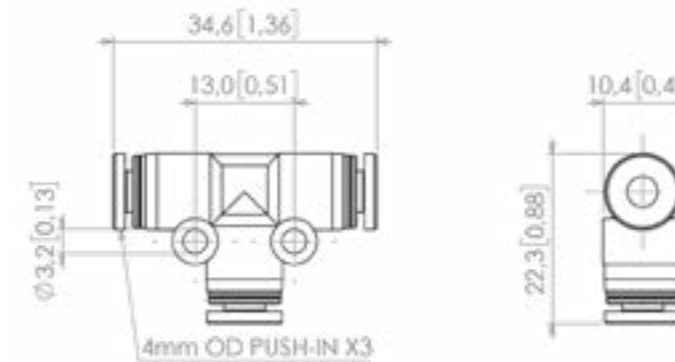
Price starting from: £5.85

\*Larger quantity price breaks available

### E-F-170883 - Polypropylene Equal Tee Connector, EPDM Seal, 4.0mm OD Push-In Fitting (x3)

#### Technical Data

**Max. Inlet Pressure:** 10.34 bar (150 psi)  
**Connections:** 4.0mm (5/32") OD Tube (x3)  
**Mounting Style:** In-Line  
**Wetted Materials:** Polypropylene, EPDM  
**Non-wetted Materials:** Polypropylene, 304 Stainless Steel  
**Media/Ambient Temperature:** -20°C to 80°C (-4°F to 176°F)  
**RoHS/REACH Compliant:** Yes  
**Cleanroom Manufactured:** No  
**Other Technical Data:** 4.0mm OD push-in Polypropylene equal tee connector with Polypropylene centre leg and EPDM seals.



Price starting from: £13.47

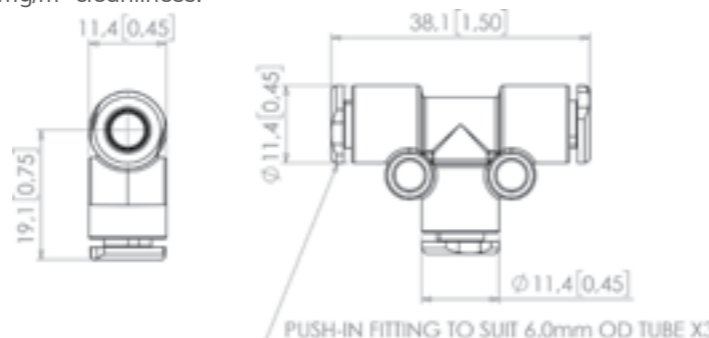
\*Larger quantity price breaks available

### E-F-220049 - Nylon Oxygen Compatible Equal Tee Connector, EPDM-N Seal, 6.0mm OD Push-In Fitting (x3)



#### Technical Data

**Max. Inlet Pressure:** 16 bar (232 psi)  
**Connections:** 6.0mm OD Tube (x3)  
**Mounting Style:** In-Line  
**Wetted Materials:** Nylon, EPDM  
**Non-wetted Materials:** 301 Stainless Steel, Nylon  
**Media/Ambient Temperature:** -20°C to 100°C (-4°F to 212°F)  
**RoHS/REACH Compliant:** Yes  
**Cleanroom Manufactured:** No  
**Regulatory Information:** ISO 15001, CGA G4.1, ASTM G93-03 B  
**Other Technical Data:** This product is designed for life science markets, particularly for medical and analytical applications. Long lasting solution and high level of sealing. Compatible with fluids, gases and clean air. BAM certified grease. This product meets with respiratory regulations, non-volatile residue equal to or less than 550 mg/m<sup>2</sup> cleanliness.



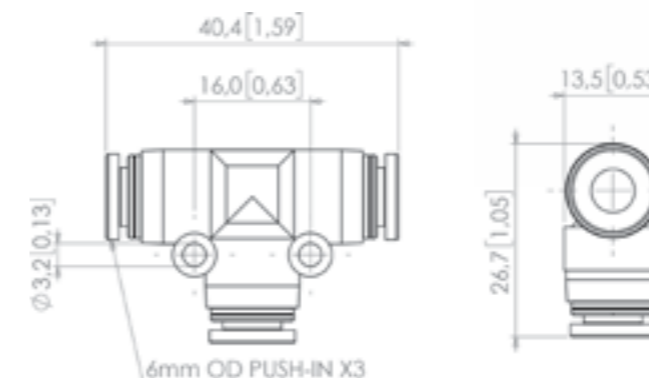
Price starting from: £5.68

\*Larger quantity price breaks available

### E-F-170884 - Polypropylene Equal Tee Connector, EPDM Seal, 6.0mm OD Push-In Fitting (x3)

#### Technical Data

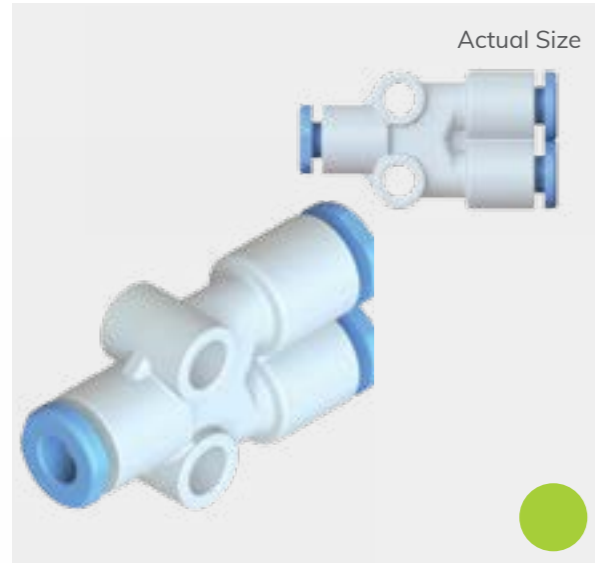
**Max. Inlet Pressure:** 10.34 bar (150 psi)  
**Connections:** 6.0mm OD Tube (x3)  
**Mounting Style:** In-Line  
**Wetted Materials:** Polypropylene, EPDM  
**Non-wetted Materials:** Polypropylene, 304 Stainless Steel  
**Media/Ambient Temperature:** -20°C to 80°C (-4°F to 176°F)  
**RoHS/REACH Compliant:** Yes  
**Cleanroom Manufactured:** No  
**Other Technical Data:** Suitable for air, water and other chemicals subject to compatibility with construction materials. Clear (semi-transparent) colour used for the resin body makes it possible to visually check the media inside and sanitary conditions thereof.



Price starting from: £13.94

\*Larger quantity price breaks available

**E-F-220050 - Nylon Oxygen Compatible Equal Y Connector, EPDM-N Seal, 4.0mm OD Push-In Fitting (x3)**

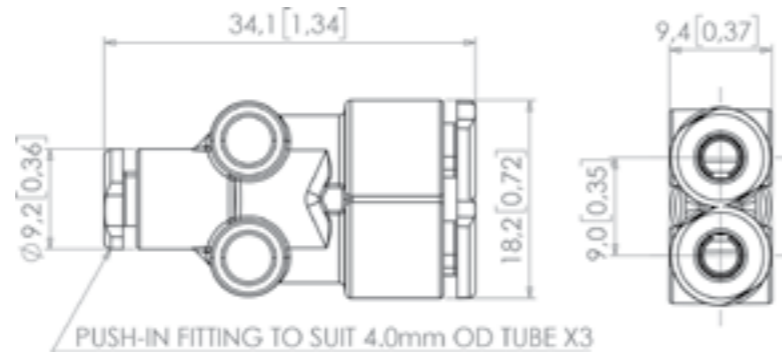


Price starting from: £6.20

\*Larger quantity price breaks available

**Technical Data**

**Max. Inlet Pressure:** 16 bar (232 psi)  
**Connections:** 4.0mm (5/32") OD Tube (x3)  
**Mounting Style:** In-Line  
**Wetted Materials:** Nylon, EPDM  
**Non-wetted Materials:** 301 Stainless Steel, Nylon  
**Media/Ambient Temperature:** -20°C to 100°C (-4°F to 212°F)  
**RoHS/REACH Compliant:** Yes  
**Cleanroom Manufactured:** No  
**Regulatory Information:** ISO 15001, CGA G4.1, ASTM G93-03 B  
**Other Technical Data:** This product is designed for life science markets, particularly for medical and analytical applications. Long lasting solution and high level of sealing. Compatible with fluids, gases and clean air. BAM certified grease. This product meets with respiratory regulations, non-volatile residue equal to or less than 550 mg/m<sup>2</sup> cleanliness.



**E-F-170899 - Polypropylene Equal Y Connector, EPDM Seal, 4.0mm OD Push-In Fitting (x3)**

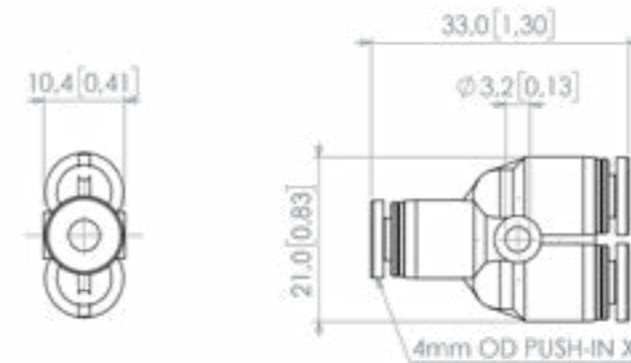


Price starting from: £13.47

\*Larger quantity price breaks available

**Technical Data**

**Max. Inlet Pressure:** 10.34 bar (150 psi)  
**Connections:** 4.0mm (5/32") OD Tube (x3)  
**Mounting Style:** In-Line  
**Wetted Materials:** Polypropylene, EPDM  
**Non-wetted Materials:** Polypropylene, 304 Stainless Steel  
**Media/Ambient Temperature:** -20°C to 80°C (-4°F to 176°F)  
**RoHS/REACH Compliant:** Yes  
**Cleanroom Manufactured:** No  
**Other Technical Data:** Suitable for air, water and other chemicals subject to compatibility with construction materials. Clear (semi-transparent) colour used for the resin body makes it possible to visually check the media inside and sanitary conditions thereof.



**E-F-220051 - Nylon Oxygen Compatible Equal Y Connector, EPDM-N Seal, 6.0mm OD Push-In Fitting (x3)**

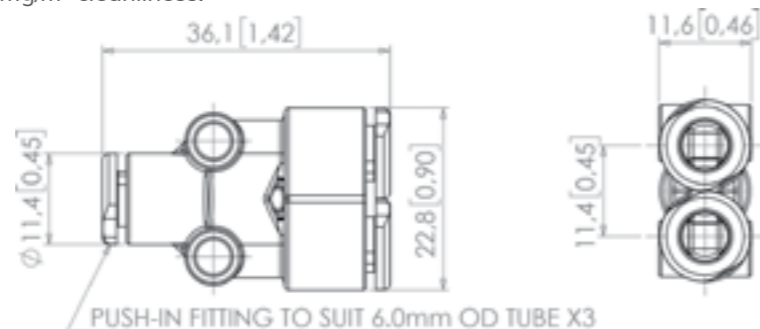


Price starting from: £6.20

\*Larger quantity price breaks available

**Technical Data**

**Max. Inlet Pressure:** 16 bar (232 psi)  
**Connections:** 6.0mm OD Tube (x3)  
**Mounting Style:** In-Line  
**Wetted Materials:** Nylon, EPDM  
**Non-wetted Materials:** 301 Stainless Steel, Nylon  
**Media/Ambient Temperature:** -20°C to 100°C (-4°F to 212°F)  
**RoHS/REACH Compliant:** Yes  
**Cleanroom Manufactured:** No  
**Regulatory Information:** ISO 15001, CGA G4.1, ASTM G93-03 B  
**Other Technical Data:** This product is designed for life science markets, particularly for medical and analytical applications. Long lasting solution and high level of sealing. Compatible with fluids, gases and clean air. BAM certified grease. This product meets with respiratory regulations, non-volatile residue equal to or less than 550 mg/m<sup>2</sup> cleanliness.



**E-F-170900 - Polypropylene Equal Y Connector, EPDM Seal, 6.0mm OD Push-In Fitting (x3)**

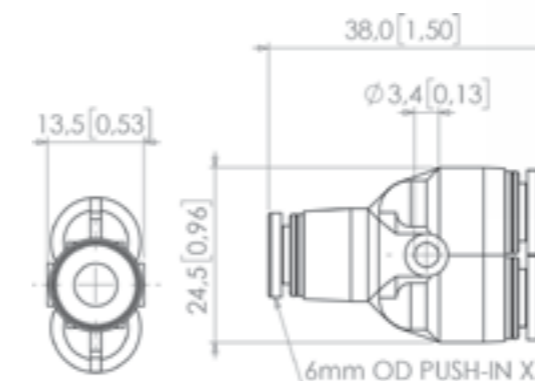


Price starting from: £13.94

\*Larger quantity price breaks available

**Technical Data**

**Max. Inlet Pressure:** 10.34 bar (150 psi)  
**Connections:** 6.0mm OD Tube (x3)  
**Mounting Style:** In-Line  
**Wetted Materials:** Polypropylene, EPDM  
**Non-wetted Materials:** Polypropylene, 304 Stainless Steel  
**Media/Ambient Temperature:** -20°C to 80°C (-4°F to 176°F)  
**RoHS/REACH Compliant:** Yes  
**Cleanroom Manufactured:** No  
**Other Technical Data:** Suitable for air, water and other chemicals subject to compatibility with construction materials. Clear (semi-transparent) colour used for the resin body makes it possible to visually check the media inside and sanitary conditions thereof.



## Straight - Push-In to Thread

**E-F-170873** - Polypropylene Straight Adaptor, EPDM Seal, 4.0mm OD Push-In Fitting to 1/8" BSPT Male Thread

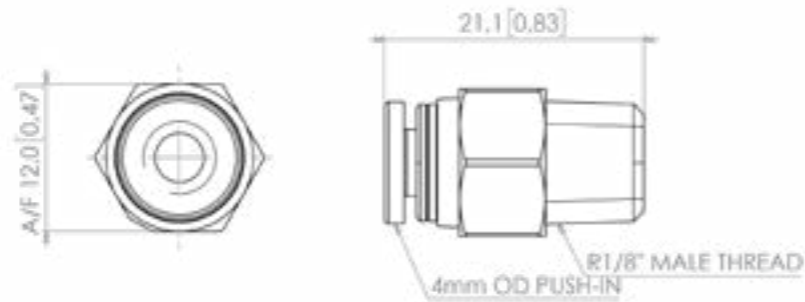


### Technical Data

**Max. Inlet Pressure:** 10.34 bar (150 psi)  
**Connection 1:** 4.0mm (5/32") OD Tube  
**Connection 2:** 1/8" BSPT Male Thread  
**Mounting Style:** Threaded  
**Wetted Materials:** Polypropylene, EPDM  
**Non-wetted Materials:** Polypropylene, 304 Stainless Steel  
**Media/Ambient Temperature:** -20°C to 80°C (-4°F to 176°F)  
**RoHS/REACH Compliant:** Yes  
**Cleanroom Manufactured:** No  
**Other Technical Data:** Suitable for air, water and other chemicals subject to compatibility with construction materials. Clear (semi-transparent) colour used for the resin body makes it possible to visually check the media inside and sanitary conditions thereof.

Price starting from: £5.08

\*Larger quantity price breaks available



## Elbow - Push-In to Thread

**E-F-220041** - Nylon Oxygen Compatible Elbow Adaptor, EPDM Seal, 4.0mm OD Push-In Fitting to 1/8" BSPP Male Thread

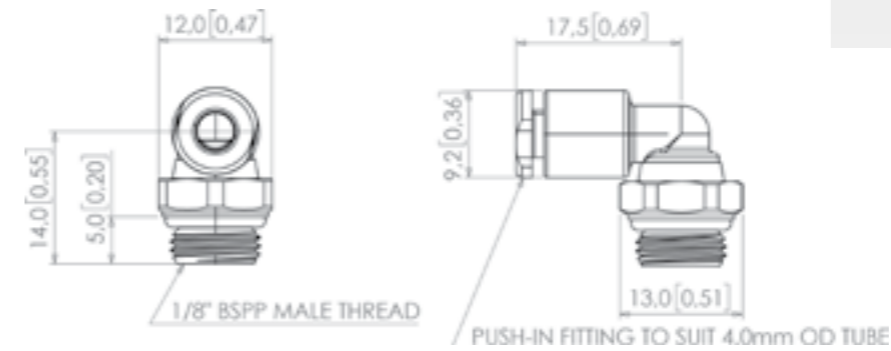
### Technical Data

**Max. Inlet Pressure:** 16 bar (232 psi)  
**Connection 1:** 4.0mm (5/32") OD Tube  
**Connection 2:** 1/8" BSPP Male Thread  
**Mounting Style:** Threaded  
**Wetted Materials:** Nickel Plated Brass, Nylon, EPDM  
**Non-wetted Materials:** 301 Stainless Steel, Nylon  
**Media/Ambient Temperature:** -20°C to 100°C (-4°F to 212°F)  
**RoHS/REACH Compliant:** Yes  
**Cleanroom Manufactured:** No  
**Regulatory Information:** ISO 15001, CGA G4.1, ASTM G93-03 B  
**Other Technical Data:** A Nylon body and Nickel Plated Brass swivel nut elbow push-in adaptor with EPDM seals, 4.0mm OD push-in fitting and 1/8" BSPP male thread. This product is designed for life science markets, particularly for medical and analytical applications.



Price starting from: £4.98

\*Larger quantity price breaks available



### More from this range



6.0mm OD to 1/8" BSPT - Male Thread  
E-F-170874



6.0mm OD to 1/4" BSPT - Male Thread  
E-F-170875

### More from this range



6.0mm OD to 1/8" BSPP Male Thread  
E-F-220043



4.0mm OD to M5x0.8 Male Thread  
E-F-220040



6.0mm OD to M5x0.8 Male Thread  
E-F-220042

## Elbow - Push-In to Thread

**E-F-170889** - Polypropylene Swivel Elbow Adaptor, EPDM Seal, 4.0mm OD Push-In Fitting to 1/8" BSPT Male Thread

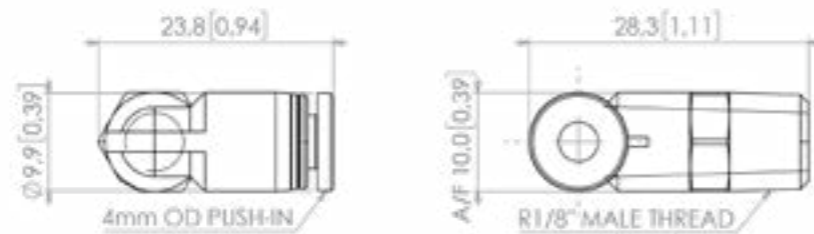


### Technical Data

**Max. Inlet Pressure:** 10.34 bar (150 psi)  
**Connection 1:** 4.0mm (5/32") OD Tube  
**Connection 2:** 1/8" BSPT Male Thread  
**Mounting Style:** Threaded  
**Wetted Materials:** Polypropylene, EPDM  
**Non-wetted Materials:** Polypropylene, 304 Stainless Steel  
**Media/Ambient Temperature:** -20°C to 80°C (-4°F to 176°F)  
**RoHS/REACH Compliant:** Yes  
**Cleanroom Manufactured:** No  
**Other Technical Data:** Suitable for air, water and other chemicals subject to compatibility with construction materials. Clear (semi-transparent) colour used for the resin body makes it possible to visually check the media inside and sanitary conditions thereof.

**Price starting from: £7.33**

\*Larger quantity price breaks available



## Tee - Push-In to Thread

**E-F-170868** - Polypropylene Swivel Branch Tee Adaptor, EPDM Seal, 4.0mm OD Push-In Fitting (x2) to 1/8" BSPT Male Thread

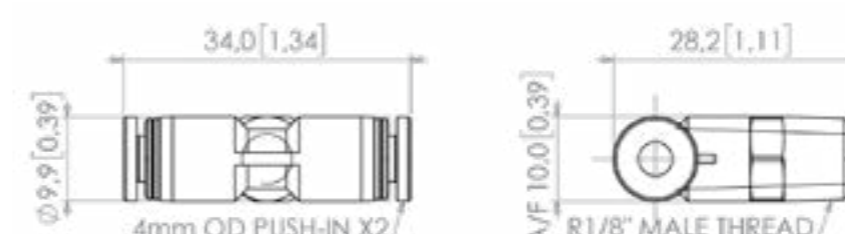
### Technical Data

**Max. Inlet Pressure:** 10.34 bar (150 psi)  
**Connection 1:** 4.0mm (5/32") OD Tube (x2)  
**Connection 2:** 1/8" BSPT Male Thread  
**Mounting Style:** Threaded  
**Wetted Materials:** Polypropylene, EPDM  
**Non-wetted Materials:** Polypropylene, 304 Stainless Steel  
**Media/Ambient Temperature:** -20°C to 80°C (-4°F to 176°F)  
**RoHS/REACH Compliant:** Yes  
**Cleanroom Manufactured:** No  
**Other Technical Data:** 4.0mm OD push-in Polypropylene swivel male branch tee adaptor with a 1/8" BSPT threaded Polypropylene centre leg and EPDM seals. Suitable for air, water and other chemicals subject to compatibility with construction materials. Clear (semi-transparent) colour used for the resin body makes it possible to visually check the media inside and sanitary conditions thereof.



**Price starting from: £13.00**

\*Larger quantity price breaks available



### More from this range



6.0mm OD to 1/8" BSPT - Male Thread  
E-F-170890



6.0mm OD to 1/4" BSPT - Male Thread  
E-F-170891

### More from this range



6.0mm OD (x2) to 1/8" BSPT - Male Thread  
E-F-170869



6.0mm OD (x2) to 1/4" BSPT - Male Thread  
E-F-170870

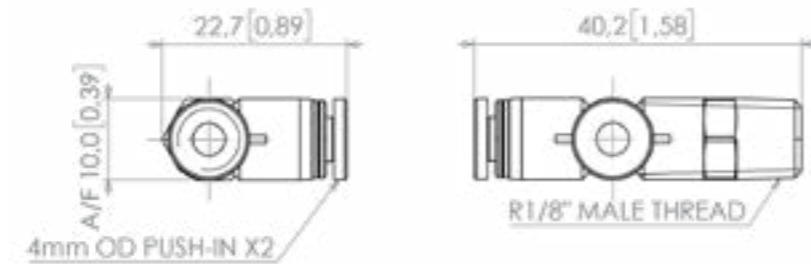
## Tee - Push-In to Thread

**E-F-170878** - Polypropylene Swivel Run Tee Adaptor, EPDM Seal, 4.0mm OD Push-In Fitting (x2) to 1/8" BSPT Male Thread



### Technical Data

**Max. Inlet Pressure:** 10.34 bar (150 psi)  
**Connection 1:** 4.0mm (5/32") OD Tube (x2)  
**Connection 2:** 1/8" BSPT Male Thread  
**Mounting Style:** Threaded  
**Wetted Materials:** Polypropylene, EPDM  
**Non-wetted Materials:** Polypropylene, 304 Stainless Steel  
**Media/Ambient Temperature:** -20°C to 80°C (-4°F to 176°F)  
**RoHS/REACH Compliant:** Yes  
**Cleanroom Manufactured:** No  
**Other Technical Data:** 4.0mm OD push-in Polypropylene swivel male run adaptor with a 1/8" BSPT threaded Polypropylene centre leg and EPDM seals. Suitable for air, water and other chemicals subject to compatibility with construction materials. Clear (semi-transparent) colour used for the resin body makes it possible to visually check the media inside and sanitary conditions thereof.



**Price starting from: £13.00**

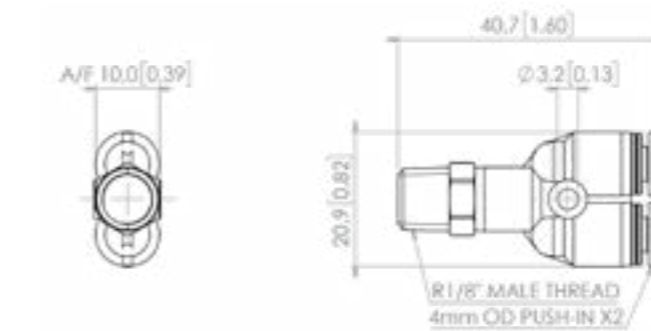
\*Larger quantity price breaks available

## Y - Push-In to Thread

**E-F-170894** - Polypropylene Swivel Y Adaptor, EPDM Seal, 4.0mm OD Push-In Fitting (x2) to 1/8" BSPT Male Thread

### Technical Data

**Max. Inlet Pressure:** 10.34 bar (150 psi)  
**Connection 1:** 4.0mm (5/32") OD Tube (x2)  
**Connection 2:** 1/8" BSPT Male Thread  
**Mounting Style:** Threaded  
**Wetted Materials:** Polypropylene, EPDM  
**Non-wetted Materials:** Polypropylene, 304 Stainless Steel  
**Media/Ambient Temperature:** -20°C to 80°C (-4°F to 176°F)  
**RoHS/REACH Compliant:** Yes  
**Cleanroom Manufactured:** No  
**Other Technical Data:** 4.0mm OD push-in Polypropylene swivel male "Y" adaptor with 1/8" BSPT thread and EPDM seals. Suitable for air, water and other chemicals subject to compatibility with construction materials. Clear (semi-transparent) colour used for the resin body makes it possible to visually check the media inside and sanitary conditions thereof.



**Price starting from: £13.00**

\*Larger quantity price breaks available

### More from this range



6.0mm OD (x2) to 1/8" BSPT - Male Thread  
E-F-170879



6.0mm OD (x2) to 1/4" BSPT - Male Thread  
E-F-170880

### More from this range



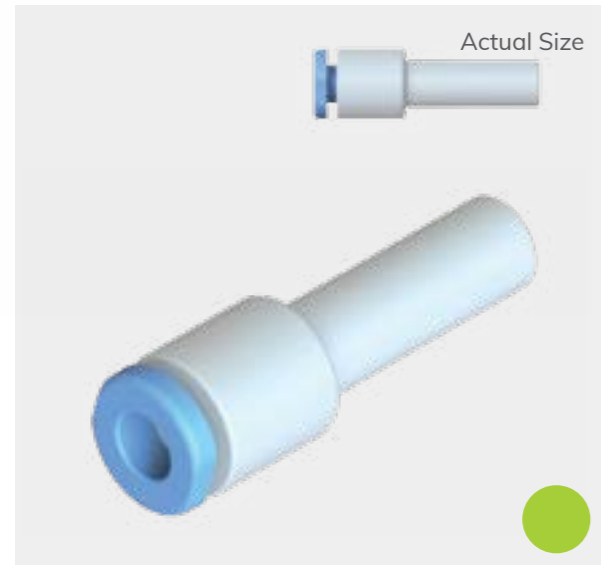
6.0mm OD (x2) to 1/8" BSPT - Male Thread  
E-F-170895



6.0mm OD (x2) to 1/4" BSPT - Male Thread  
E-F-170896



**E-F-220052 - Nylon Oxygen Compatible Straight Adaptor, EPDM-N Seal, 4.0mm OD Push-In Fitting to 6.0mm OD Stem**

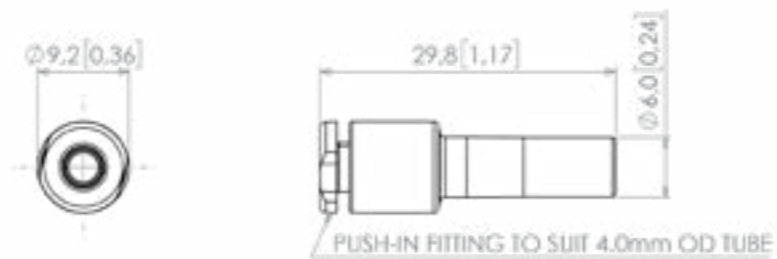


**Technical Data**

Max. Inlet Pressure: 16 bar (232 psi)  
 Connection 1: 4.0mm (5/32") OD Tube  
 Connection 2: 6.0mm OD Stem  
 Mounting Style: In-Line  
 Wetted Materials: Nylon, EPDM  
 Non-wetted Materials: 301 Stainless Steel, Nylon  
 Media/Ambient Temperature: -20°C to 100°C (-4°F to 212°F)  
 RoHS/REACH Compliant: Yes  
 Cleanroom Manufactured: No  
 Regulatory Information: ISO 15001, CGA G4.1, ASTM G93-03 B  
 Other Technical Data: This product is designed for life science markets, particularly for medical and analytical applications.

Price starting from: £3.53

\*Larger quantity price breaks available



**E-F-170886 - Polypropylene Straight Adaptor, EPDM Seal, 6.0mm OD Stem to 4.0mm OD Push-In Fitting**

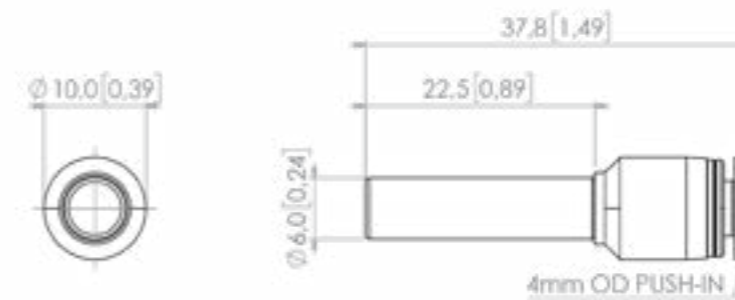
**Technical Data**

Max. Inlet Pressure: 10.34 bar (150 psi)  
 Connection 1: 6.0mm OD Stem  
 Connection 2: 4.0mm (5/32") OD Tube  
 Mounting Style: In-Line  
 Wetted Materials: Polypropylene, EPDM  
 Non-wetted Materials: Polypropylene, 304 Stainless Steel  
 Media/Ambient Temperature: -20°C to 80°C (-4°F to 176°F)  
 RoHS/REACH Compliant: Yes  
 Cleanroom Manufactured: No  
 Other Technical Data: Packaged for use in a cleanroom environment. Suitable for air, water and other chemicals subject to compatibility with construction materials.



Price starting from: £8.15

\*Larger quantity price breaks available



**E-F-220053 - Nylon Oxygen Compatible Straight Adaptor, EPDM-N Seal, 4.0mm OD Push-In Fitting to 8.0mm OD Stem**

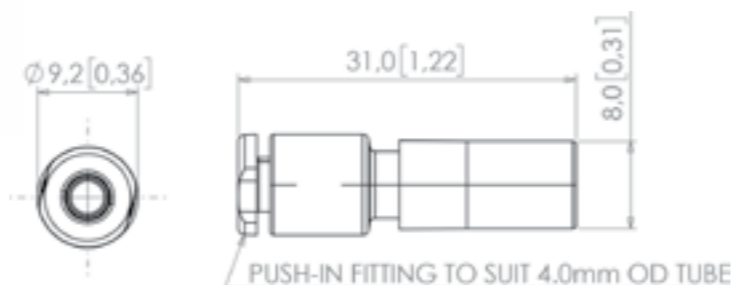


**Technical Data**

Max. Inlet Pressure: 16 bar (232 psi)  
 Connection 1: 4.0mm (5/32") OD Tube  
 Connection 2: 8.0mm OD Stem  
 Mounting Style: In-Line  
 Wetted Materials: Nylon, EPDM  
 Non-wetted Materials: 301 Stainless Steel, Nylon  
 Media/Ambient Temperature: -20°C to 100°C (-4°F to 212°F)  
 RoHS/REACH Compliant: Yes  
 Cleanroom Manufactured: No  
 Regulatory Information: ISO 15001, CGA G4.1, ASTM G93-03 B  
 Other Technical Data: This product is designed for life science markets, particularly for medical and analytical applications.

Price starting from: £3.28

\*Larger quantity price breaks available



**E-F-170902 - Polypropylene 4.0mm OD Blanking Plug**

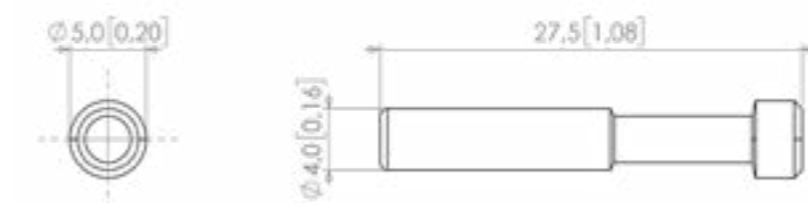
**Technical Data**

Connection 1: 4.0mm OD Plug  
 Connection 2: None - Closed end  
 Mounting Style: In-Line  
 Wetted Materials: Polypropylene  
 Non-wetted Materials: Polypropylene  
 Media/Ambient Temperature: -20°C to 80°C (-4°F to 176°F)  
 RoHS/REACH Compliant: Yes  
 Cleanroom Manufactured: No  
 Other Technical Data: 4.0mm OD Polypropylene plug. Suitable for air, water and other chemicals subject to compatibility with construction materials. Clear (semi-transparent) colour used for the resin body makes it possible to visually check the media inside and sanitary conditions thereof.



Price starting from: £1.77

\*Larger quantity price breaks available



6.0mm OD  
E-F-170903



# Metal Push-In



## Key features include:

- Optional style and size of connection
- RoHS and REACH compliant
- Oxygen compatible (selected products)



Hard tubing - 90-95 Shore A

## Metal push-in fittings

Also known as push-to-connect, push-in, push-fit fittings or a quick connect fitting that allows an air (or water) line to be attached.

Available in 316 Stainless Steel and Nickel Plated Brass, we have many styles including straight, elbow, tees and crosses. Our metal push-ins are designed for compressed air and vacuum applications.

## Types of fittings we offer:

### Equal Connectors



### Threaded Connectors



### Accessories



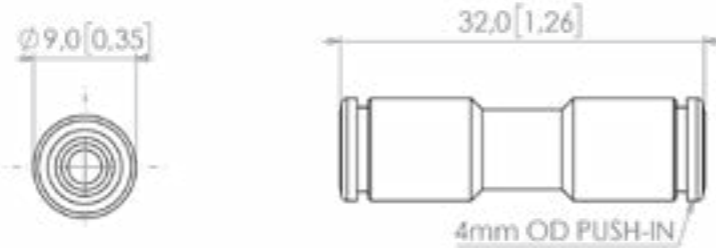
## 316 Push-In Straight Connectors

### E-F-170942 - 316L Stainless Steel Equal Straight Connector, Viton Seal, 4.0mm OD Push-In Fitting (x2)



#### Technical Data

**Max. Inlet Pressure:** 16 bar (232 psi)  
**Connections:** 4.0mm OD Tube (x2)  
**Mounting Style:** In-line  
**Wetted Materials:** 316L Stainless Steel, Stainless Steel, Viton  
**Non-wetted Materials:** 316L Stainless Steel, Stainless Steel  
**Media/Ambient Temperature:** -20°C to 150°C (-4°F to 302°F)  
**RoHS/REACH Compliant:** Yes  
**Cleanroom Manufactured:** No  
**Other Technical Data:** 4.0mm OD equal straight push-in connector with a 316L Stainless Steel body and Viton seals. Suitable for media compatible with the component materials.



Price starting from: £18.63

\*Larger quantity price breaks available

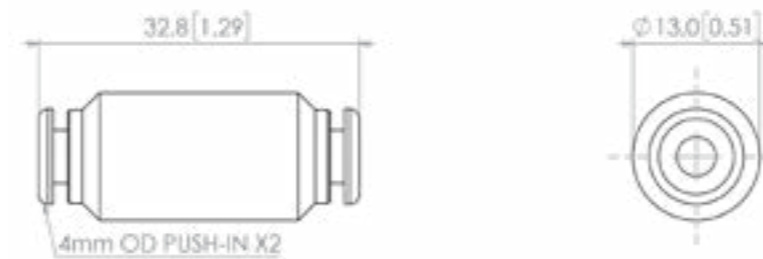
## 316 Push-In Straight Connectors

### E-F-170830 - Nickel Plated Brass Equal Straight Connector (Food Grade), Viton Seal, 4.0mm OD Push-In Fitting (x2)



#### Technical Data

**Max. Inlet Pressure:** 16 bar (232 psi)  
**Connections:** 4.0mm OD Push-In Fitting (x2)  
**Mounting Style:** In-line  
**Wetted Materials:** Nickel Plated Brass, Viton  
**Non-wetted Materials:** Nickel Plated Brass  
**Media/Ambient Temperature:** -20°C to 150°C (-4°F to 302°F)  
**RoHS/REACH Compliant:** Yes  
**Cleanroom Manufactured:** No  
**Regulatory Information:** NSF@/ANSI 61, NSF@/ANSI 169, Viton O-ring FDA Approved  
**Other Technical Data:** Nickel Plated Brass equal straight connector (food grade) with 4.0mm OD push-in fitting. Suitable for compressed air and vacuum. Compatible for use with Nylon, Polyurethane and Polyethylene tube. This product does not contain any plastic parts so no risk of incompatibility.



Price starting from: £3.69

\*Larger quantity price breaks available

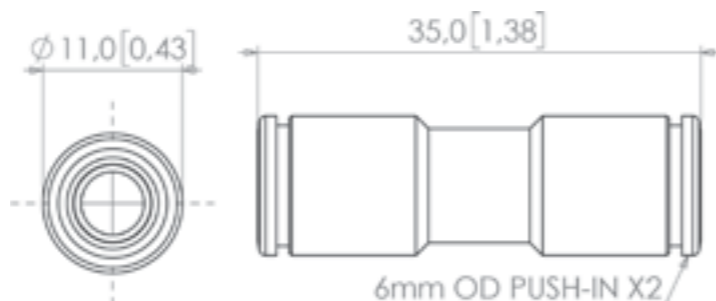


### E-F-170943 - 316L Stainless Steel Equal Straight Connector, Viton Seal, 6.0mm OD Push-In Fitting (x2)



#### Technical Data

**Max. Inlet Pressure:** 16 bar (232 psi)  
**Connections:** 6.0mm OD Tube (x2)  
**Mounting Style:** In-line  
**Wetted Materials:** 316L Stainless Steel, Stainless Steel, Viton  
**Non-wetted Materials:** 316L Stainless Steel, Stainless Steel  
**Media/Ambient Temperature:** -20°C to 150°C (-4°F to 302°F)  
**RoHS/REACH Compliant:** Yes  
**Cleanroom Manufactured:** No  
**Other Technical Data:** 6.0mm OD equal straight push-in connector with a 316L Stainless Steel body and Viton seals. Suitable for media compatible with the component materials.



Price starting from: £18.80

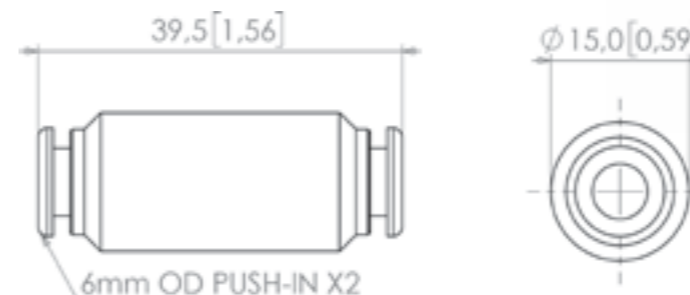
\*Larger quantity price breaks available

### E-F-170831 - Nickel Plated Brass Equal Straight Connector (Food Grade), Viton Seal, 6.0mm OD Push-In Fitting (x2)



#### Technical Data

**Max. Inlet Pressure:** 16 bar (232 psi)  
**Connections:** 6.0mm OD Push-In Fitting (x2)  
**Mounting Style:** In-line  
**Wetted Materials:** Nickel Plated Brass, Viton  
**Non-wetted Materials:** Nickel Plated Brass  
**Media/Ambient Temperature:** -20°C to 150°C (-4°F to 302°F)  
**RoHS/REACH Compliant:** Yes  
**Cleanroom Manufactured:** No  
**Regulatory Information:** NSF@/ANSI 61, NSF@/ANSI 169, Viton O-ring FDA Approved  
**Other Technical Data:** Suitable for compressed air and vacuum. Compatible for use with Nylon, Polyurethane and Polyethylene tube. This product does not contain any plastic parts so no risk of incompatibility.



Price starting from: £4.02

\*Larger quantity price breaks available



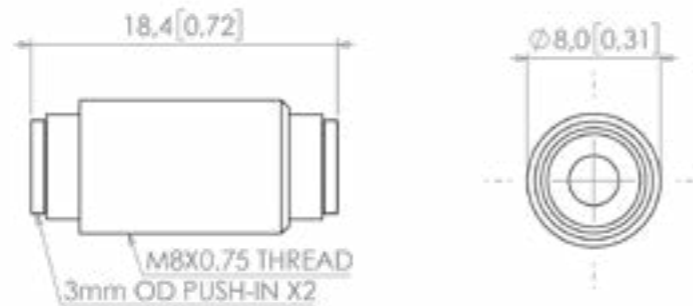
## 316 Push-In Straight Connectors

### E-F-170709 - Nickel Plated Brass Equal Straight Connector, Buna-N Seal, 3.0mm OD Push-In Fitting (x2)



#### Technical Data

**Max. Inlet Pressure:** 16 bar (232 psi)  
**Connections:** 3.0mm OD Push-In Fitting (x2)  
**Mounting Style:** In-line  
**Wetted Materials:** Nickel Plated Brass, Buna-N  
**Non-wetted Materials:** Nickel Plated Brass  
**Media/Ambient Temperature:** -20°C to 80°C (-4°F to 176°F)  
**RoHS/REACH Compliant:** Yes  
**Cleanroom Manufactured:** No  
**Other Technical Data:** Nickel Plated Brass equal elbow connector with 3.0mm push-in fitting. Suitable for compressed air and vacuum. Compatible for use with Nylon tube PA6, PA11, PA12 and Polypropylene.



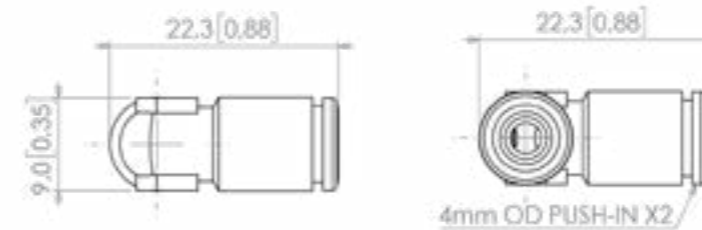
Price starting from: £3.99

\*Larger quantity price breaks available

### E-F-170948 - 316L Stainless Steel Equal Elbow Connector, Viton Seal, 4.0mm OD Push-In Fitting (x2)

#### Technical Data

**Max. Inlet Pressure:** 16 bar (232 psi)  
**Connections:** 4.0mm OD Push-In (x2)  
**Mounting Style:** In-line  
**Wetted Materials:** 316L Stainless Steel, Stainless Steel, Viton  
**Non-wetted Materials:** 316L Stainless Steel, Stainless Steel  
**Media/Ambient Temperature:** -20°C to 150°C (-4°F to 302°F)  
**RoHS/REACH Compliant:** Yes  
**Cleanroom Manufactured:** No  
**Other Technical Data:** 4.0mm OD equal elbow push-in connector with a 316L Stainless Steel body and Viton seals. Suitable for media compatible with the component materials.



Price starting from: £26.43

\*Larger quantity price breaks available

### More from this range



4.0mm OD Push-In  
E-F-170710

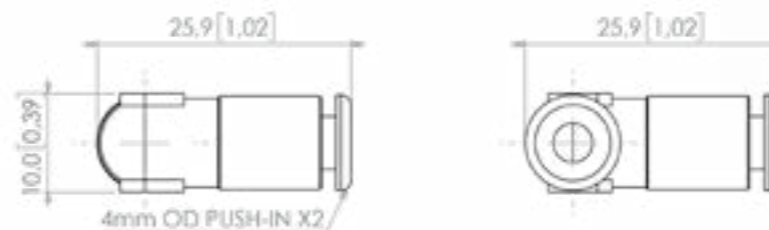


6.0mm OD Push-In  
E-F-170711

### E-F-170833 - Nickel Plated Brass Equal Elbow Connector (Food Grade), Viton Seal, 4.0mm OD Push-In Fitting (x2)

#### Technical Data

**Max. Inlet Pressure:** 16 bar (232 psi)  
**Connections:** 4.0mm OD Push-In Fitting (x2)  
**Mounting Style:** In-line  
**Wetted Materials:** Nickel Plated Brass, Viton  
**Non-wetted Materials:** Nickel Plated Brass  
**Media/Ambient Temperature:** -20°C to 150°C (-4°F to 302°F)  
**RoHS/REACH Compliant:** Yes  
**Cleanroom Manufactured:** No  
**Regulatory Information:** NSF@/ANSI 61, NSF@/ANSI 169, FDA Approved Viton O-ring  
**Other Technical Data:** Suitable for compressed air and vacuum. Compatible for use with Nylon, Polyurethane and Polyethylene tube. This product does not contain any plastic parts so no risk of incompatibility.



Price starting from: £2.96

\*Larger quantity price breaks available



6.0mm OD Push-In  
E-F-170834

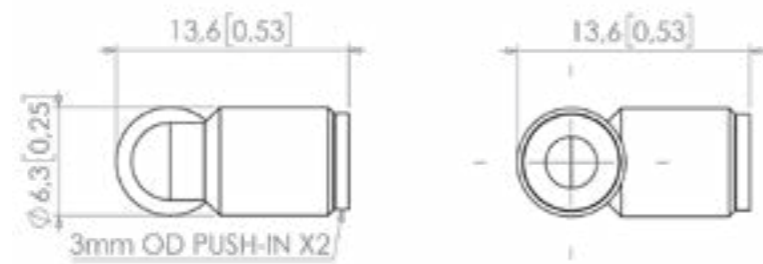
## Equal Elbows

### E-F-170713 - Nickel Plated Brass Equal Elbow Connector, Buna-N Seal, 3.0mm OD Push-In Fitting (x2)



#### Technical Data

**Max. Inlet Pressure:** 16 bar (232 psi)  
**Connections:** 3.0 mm OD Push-In Fitting (x2)  
**Mounting Style:** In-line  
**Wetted Materials:** Nickel Plated Brass, Buna-N  
**Non-wetted Materials:** Nickel Plated Brass  
**Media/Ambient Temperature:** -20°C to 80°C (-4°F to 176°F)  
**RoHS/REACH Compliant:** Yes  
**Cleanroom Manufactured:** No  
**Other Technical Data:** Nickel Plated Brass equal elbow connector with 3.0mm push-in fitting. Suitable for compressed air and vacuum. Compatible for use with Nylon, Polyurethane and Polyethylene tube.



Price starting from: £3.42

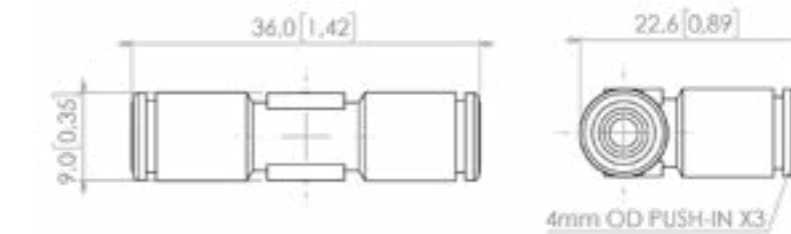
\*Larger quantity price breaks available

## Equal Tees

### E-F-170951 - 316L Stainless Steel Equal Tee Connector, Viton Seal, 4.0mm OD Push-In Fitting (x2)

#### Technical Data

**Max. Inlet Pressure:** 16 bar (232 psi)  
**Connections:** 4.0mm OD Push-In (x3)  
**Mounting Style:** In-line  
**Wetted Materials:** 316L Stainless Steel, Stainless Steel, Viton  
**Non-wetted Materials:** 316L Stainless Steel, Stainless Steel  
**Media/Ambient Temperature:** -20°C to 150°C (-4°F to 302°F)  
**RoHS/REACH Compliant:** Yes  
**Cleanroom Manufactured:** No  
**Other Technical Data:** Suitable for compressed air and vacuum.



Price starting from: £34.36

\*Larger quantity price breaks available

### More from this range



4.0mm OD  
Push-In  
E-F-170714

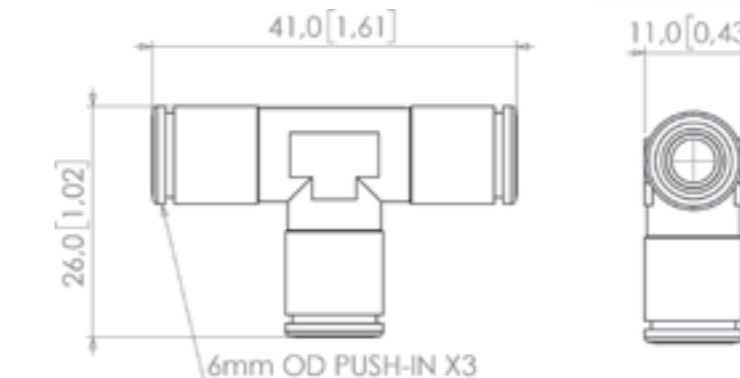


6.0mm OD  
Push-In  
E-F-170715

### E-F-170952 - 316L Stainless Steel Equal Tee Connector, Viton Seal, 6.0mm OD Push-In Fitting (x3)

#### Technical Data

**Max. Inlet Pressure:** 16 bar (232 psi)  
**Connections:** 6.0mm OD Tube Push-In (x3)  
**Mounting Style:** In-line  
**Wetted Materials:** 316L Stainless Steel, Stainless Steel, Viton  
**Non-wetted Materials:** 316L Stainless Steel, Stainless Steel  
**Media/Ambient Temperature:** -20°C to 150°C (-4°F to 302°F)  
**RoHS/REACH Compliant:** Yes  
**Cleanroom Manufactured:** No  
**Other Technical Data:** Suitable for compressed air and vacuum.



Price starting from: £36.41

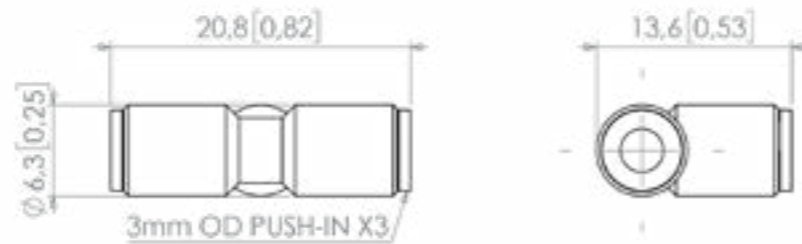
\*Larger quantity price breaks available

**E-F-170717 - Nickel Plated Brass Equal Tee Connector, Buna-N Seal, 3.0mm OD Push-In Fitting (x3)**



**Technical Data**

Max. Inlet Pressure: 16 bar (232 psi)  
 Connections: 3.0mm OD Push-In Fitting (x3)  
 Mounting Style: In-line  
 Wetted Materials: Nickel Plated Brass, Buna-N  
 Non-wetted Materials: Nickel Plated Brass  
 Media/Ambient Temperature: -20°C to 80°C (-4°F to 176°F)  
 RoHS/REACH Compliant: Yes  
 Cleanroom Manufactured: No  
 Other Technical Data: Nickel Plated Brass equal tee connector with 3.0mm push-in fitting. Suitable for compressed air and vacuum. Compatible for use with Nylon, Polyurethane and Polyethylene tube.



Price starting from: £3.78

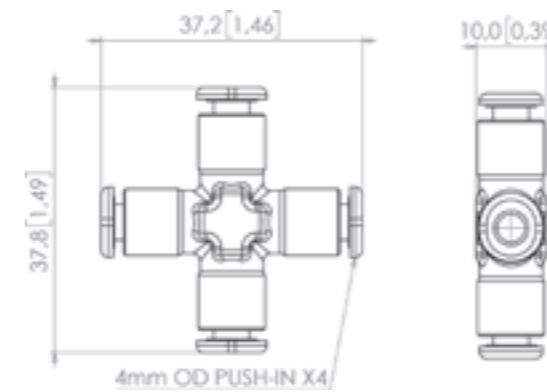
\*Larger quantity price breaks available

**Equal Crosses**

**E-F-170790 - Nickel Plated Brass Equal Cross Connector, Buna-N Seal, 4.0mm OD Push-In Fitting (x4)**

**Technical Data**

Max. Inlet Pressure: 16 bar (232 psi)  
 Connections: Push-In Fitting to suit 4.0mm OD Tube (x4)  
 Mounting Style: In-line  
 Wetted Materials: Nickel Plated Brass, Buna-N  
 Non-wetted Materials: Nickel Plated Brass  
 Media/Ambient Temperature: -20°C to 80°C (-4°F to 176°F)  
 RoHS/REACH Compliant: Yes  
 Cleanroom Manufactured: No  
 Other Technical Data: Suitable for compressed air and vacuum. Compatible for use with Nylon, Polyurethane and Polyethylene tube.



Price starting from: £6.26

\*Larger quantity price breaks available

**More from this range**



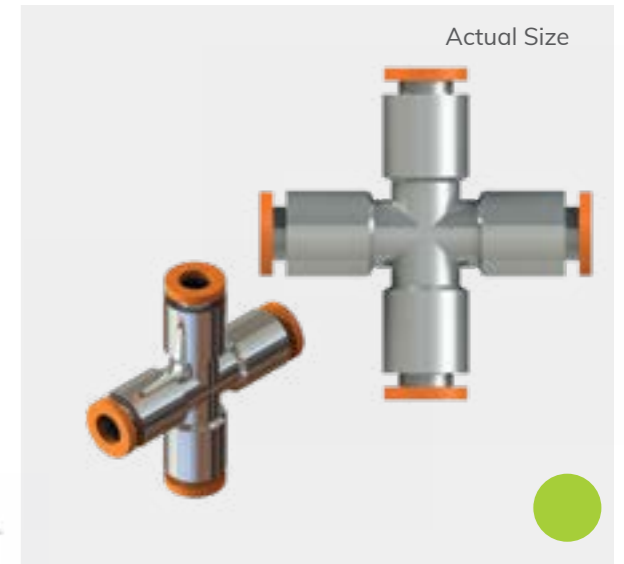
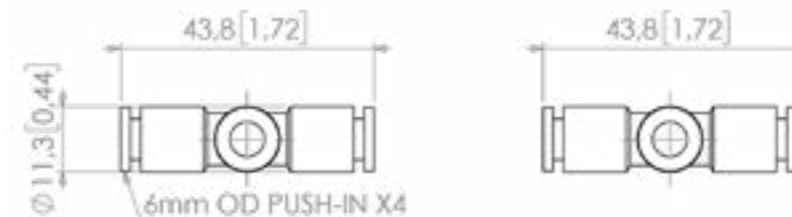
4.0mm OD Push-In  
E-F-170718

6.0mm OD Push-In  
E-F-170719

**E-F-170791 - Nickel Plated Brass Equal Cross Connector, Buna-N Seal, 6.0mm OD Push-In Fitting (x4)**

**Technical Data**

Max. Inlet Pressure: 16 bar (232 psi)  
 Connections: Push-In Fitting to suit 6.0mm OD Tube (x4)  
 Mounting Style: In-line  
 Wetted Materials: Nickel Plated Brass, Buna-N  
 Non-wetted Materials: Nickel Plated Brass  
 Media/Ambient Temperature: -20°C to 80°C (-4°F to 176°F)  
 RoHS/REACH Compliant: Yes  
 Cleanroom Manufactured: No  
 Other Technical Data: Suitable for compressed air and vacuum. Compatible for use with Nylon, Polyurethane and Polyethylene tube.



Price starting from: £6.26

\*Larger quantity price breaks available

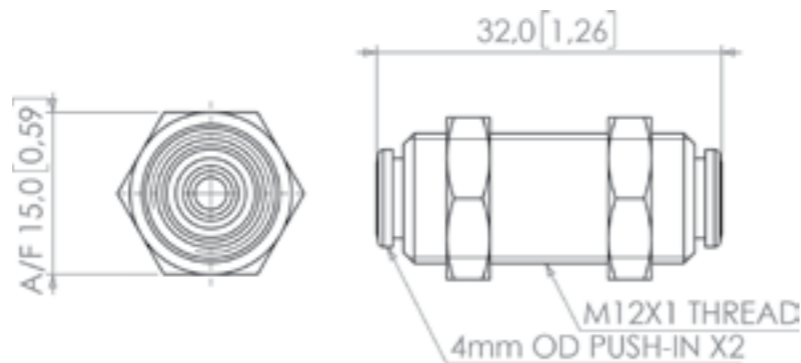
## Straight Panel Mounts

### E-F-170945 - 316L Stainless Steel Equal Straight Panel Mount Connector, Viton Seal, 4.0mm OD Push-In Fitting (x2)



#### Technical Data

**Max. Inlet Pressure:** 16 bar (232 psi)  
**Connections:** 4.0mm OD (x2)  
**Mounting Style:** Panel Mount  
**Wetted Materials:** 316L Stainless Steel, Viton  
**Non-wetted Materials:** 316L Stainless Steel, Stainless Steel  
**Media/Ambient Temperature:** -20°C to 150°C (-4°F to 302°F)  
**RoHS/REACH Compliant:** Yes  
**Cleanroom Manufactured:** No  
**Other Technical Data:** 316L Stainless Steel equal panel mount push-in connector with Viton seals and 4.0mm OD push-in fitting (x2). M12x1 thread body. Suitable for compressed air and vacuum.



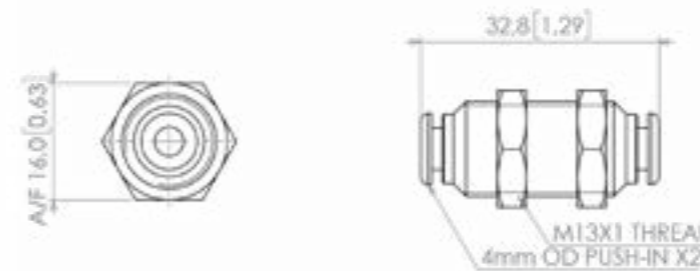
Price starting from: £33.62

\*Larger quantity price breaks available

### E-F-170847 - Nickel Plated Brass Equal Straight Panel Mount Connector (Food Grade), Viton Seal, 4.0mm OD Push-In Fitting (x2)

#### Technical Data

**Max. Inlet Pressure:** 16 bar (232 psi)  
**Connections:** 4.0mm OD Push-In Fitting (x2)  
**Mounting Style:** Panel Mount  
**Wetted Materials:** Nickel Plated Brass, Viton  
**Non-wetted Materials:** Nickel Plated Brass  
**Media/Ambient Temperature:** -20°C to 150°C (-4°F to 302°F)  
**RoHS/REACH Compliant:** Yes  
**Cleanroom Manufactured:** No  
**Regulatory Information:** NSF@/ANSI 61, NSF@/ANSI 169, FDA Approved Viton O-ring  
**Other Technical Data:** A food grade Nickel Plated Brass equal straight panel mount push-in connector with Viton seals and 4.0mm OD push-in fitting (x2). M13x1 thread body. Suitable for compressed air and vacuum. Compatible for use with Nylon, Polyurethane and Polyethylene tube. This product does not contain any plastic parts so no risk of incompatibility.



Price starting from: £4.58

\*Larger quantity price breaks available

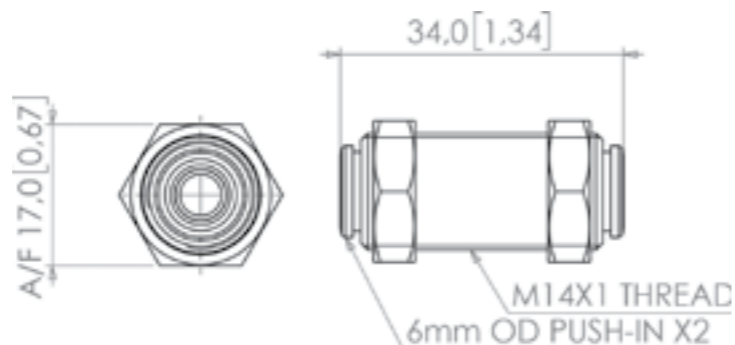


### E-F-170946 - 316L Stainless Steel Equal Straight Panel Mount Connector, Viton Seal, 6.0mm OD Push-In Fitting (x2)



#### Technical Data

**Max. Inlet Pressure:** 16 bar (232 psi)  
**Connections:** 6.0mm OD  
**Mounting Style:** Panel Mount  
**Wetted Materials:** 316L Stainless Steel, Viton  
**Non-wetted Materials:** 316L Stainless Steel, Stainless Steel  
**Media/Ambient Temperature:** -20°C to 150°C (-4°F to 302°F)  
**RoHS/REACH Compliant:** Yes  
**Cleanroom Manufactured:** No  
**Other Technical Data:** 316L Stainless Steel equal panel mount push-in connector with Viton seals and 6.0mm OD push-in fitting (x2). M14x1 thread body. Suitable for compressed air and vacuum.



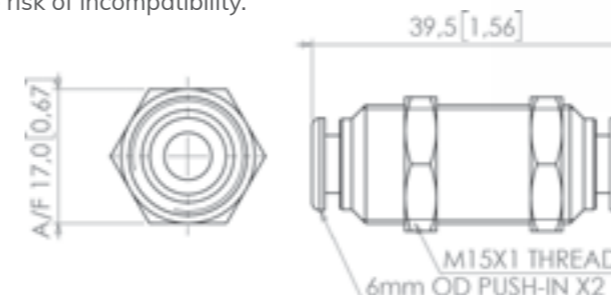
Price starting from: £37.35

\*Larger quantity price breaks available

### E-F-170848 - Nickel Plated Brass Equal Straight Panel Mount Connector (Food Grade), Viton Seal, 6.0mm OD Push-In Fitting (x2)

#### Technical Data

**Max. Inlet Pressure:** 16 bar (232 psi)  
**Connections:** 6.0mm OD Push-In Fitting (x2)  
**Mounting Style:** Panel Mount  
**Wetted Materials:** Nickel Plated Brass, Viton  
**Non-wetted Materials:** Nickel Plated Brass  
**Media/Ambient Temperature:** -20°C to 150°C (-4°F to 302°F)  
**RoHS/REACH Compliant:** Yes  
**Cleanroom Manufactured:** No  
**Regulatory Information:** NSF@/ANSI 61, NSF@/ANSI 169, FDA Approved Viton O-ring  
**Other Technical Data:** A food grade Nickel Plated Brass equal straight panel mount push-in connector with Viton seals and 6.0mm OD push-in fitting (x2). M15x1 thread body. Suitable for compressed air and vacuum. Compatible for use with Nylon, Polyurethane and Polyethylene tube. This product does not contain any plastic parts so no risk of incompatibility.

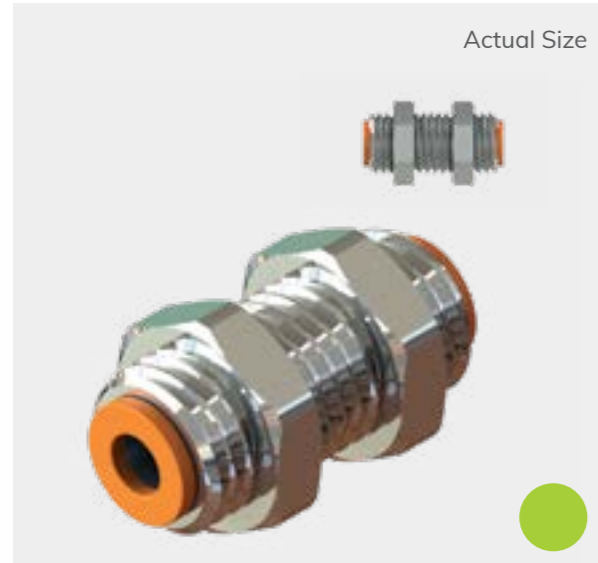


Price starting from: £5.01

\*Larger quantity price breaks available

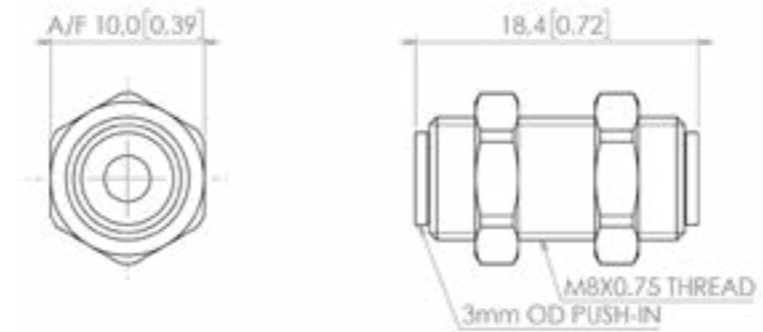


**E-F-170746 - Nickel Plated Brass Equal Straight Panel Mount Connector, Buna-N Seal, 3.0mm OD Push-In Fitting (x2)**



**Technical Data**

**Max. Inlet Pressure:** 16 bar (232 psi)  
**Connections:** 3.0mm OD Push-In (x2)  
**Mounting Style:** Panel Mount  
**Wetted Materials:** Nickel Plated Brass, Buna-N  
**Non-wetted Materials:** Nickel Plated Brass  
**Media/Ambient Temperature:** -20°C to 80°C (-4°F to 176°F)  
**RoHS/REACH Compliant:** Yes  
**Cleanroom Manufactured:** No  
**Other Technical Data:** Nickel Plated Brass equal bulkhead adaptor with 3.0mm push-in fitting and M8 x 0.75 thread body. Suitable for compressed air and vacuum. Suitable for compressed air and vacuum. Compatible for use with Nylon and Polypropylene tube.



**Price starting from: £4.69**

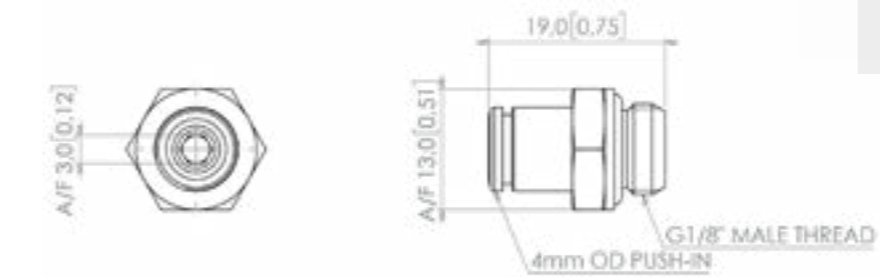
\*Larger quantity price breaks available

**Threaded Straights**

**E-F-170918 - 316L Stainless Steel Straight Adaptor, Viton Seal, 4.0mm OD Push-In Fitting to 1/8" BSPP Male Thread**

**Technical Data**

**Max. Inlet Pressure:** 16 bar (232 psi)  
**Connection 1:** 4.0mm OD Push-In  
**Connection 2:** 1/8" BSPP Male Thread  
**Mounting Style:** Threaded  
**Wetted Materials:** 316L Stainless Steel, Viton  
**Non-wetted Materials:** 316L Stainless Steel  
**Media/Ambient Temperature:** -20°C to 150°C (-4°F to 302°F)  
**RoHS/REACH Compliant:** Yes  
**Cleanroom Manufactured:** No  
**Other Technical Data:** 4.0mm OD push-in straight male adaptor with a 316L Stainless Steel body, a 1/8" BSPP male thread and Viton seals. Internal hexagonal to aid installation and disassembly.



**Price starting from: £16.56**

\*Larger quantity price breaks available

**More from this range**



4.0mm OD Push-In Fitting  
E-F-170747



6.0mm OD Push-In Fitting  
E-F-170748



4.0mm OD to 6mm Push-In Fitting  
E-F-170750

**More from this range**



6.0mm OD to 1/4" BSPP Male Thread  
E-F-170919



6.0mm OD to 1/8" BSPP Male Thread  
E-F-170920



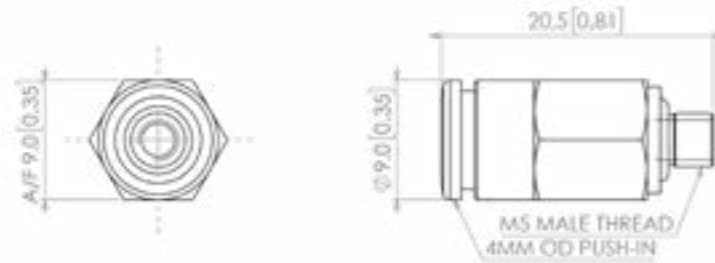
## Threaded Straights

### E-F-170917 - 316L Stainless Steel Straight Adaptor, Viton Seal, 4.0mm OD Push-In Fitting to M5 x 0.8 Male Thread



#### Technical Data

**Max. Inlet Pressure:** 16 bar (232 psi)  
**Connection 1:** 4.0mm OD Push-In Fitting  
**Connection 2:** M5 x 0.8 Male Thread  
**Mounting Style:** Threaded  
**Wetted Materials:** 316L Stainless Steel, Stainless Steel, Viton  
**Non-wetted Materials:** 316L Stainless Steel, Stainless Steel  
**Media/Ambient Temperature:** -20°C to 150°C (-4°F to 302°F)  
**RoHS/REACH Compliant:** Yes  
**Cleanroom Manufactured:** No  
**Other Technical Data:** 4.0mm OD push-in straight male adaptor with a 316L Stainless Steel body, an M5 x 0.8 thread and Viton seals. Suitable for media compatible with the component materials.



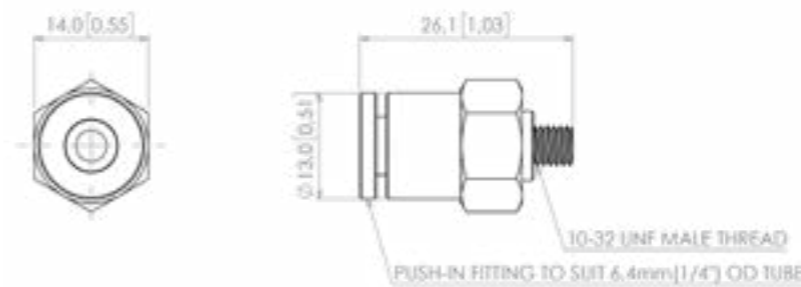
Price starting from: £16.18

\*Larger quantity price breaks available

### E-F-210420 - 316 Stainless Steel Straight Adaptor, Viton Seal, 1/4" (6.4mm) OD Push-In Fitting to 10-32 UNF Male Thread

#### Technical Data

**Max. Inlet Pressure:** 17.24 bar (250 psi)  
**Connection 1:** Push-In Fitting to suit 1/4" (6.4mm) OD Tube  
**Connection 2:** 10-32 UNF Thread  
**Mounting Style:** Threaded  
**Wetted Materials:** 316 Stainless Steel, Viton  
**Non-wetted Materials:** 316 Stainless Steel  
**Media/Ambient Temperature:** -15°C to 110°C (-5°F to 230°F)  
**RoHS/REACH Compliant:** Yes  
**Cleanroom Manufactured:** No  
**Other Technical Data:** Compatible with air, inert gas, water, liquid and oil. The product is designed for use with flexible tube and stiff tube which made with Nylon, Polyurethane, Polyethylene and Polypropylene.



Price starting from: £19.05

\*Larger quantity price breaks available

### More from this range



4.0mm OD to 1/8" BSPT Male Thread  
E-F-170912



4.0mm OD to 1/4" BSPT Male Thread  
E-F-170911



6.0mm OD to 1/8" BSPT Male Thread  
E-F-170914

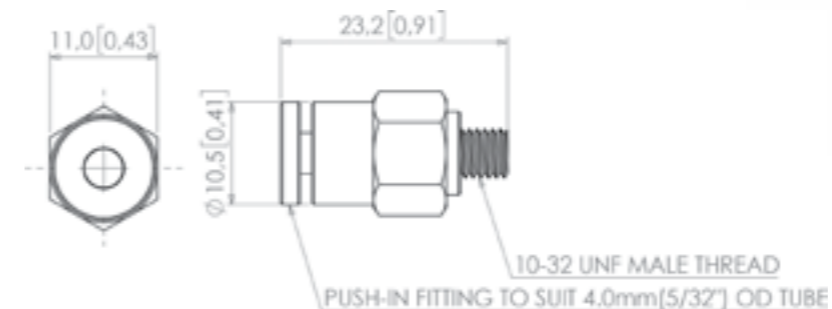


6.0mm OD to 1/4" BSPT Male Thread  
E-F-170913

### E-F-210421 - 316 Stainless Steel Straight Adaptor, Viton Seal, 5/32" (4.0mm) OD Push-In Fitting to 10-32 UNF Male Thread

#### Technical Data

**Max. Inlet Pressure:** 17.24 bar (250 psi)  
**Connection 1:** Push-In Fitting to suit 5/32" (4.0mm) OD Tube  
**Connection 2:** 10-32 UNF Thread  
**Mounting Style:** Threaded  
**Wetted Materials:** 316 Stainless Steel, Viton  
**Non-wetted Materials:** 316 Stainless Steel  
**Media/Ambient Temperature:** -15°C to 110°C (-5°F to 230°F)  
**RoHS/REACH Compliant:** Yes  
**Cleanroom Manufactured:** No  
**Other Technical Data:** Compatible with air, inert gas, water, liquid and oil. The product is designed for use with flexible tube and stiff tube which made with Nylon, Polyurethane, Polyethylene and Polypropylene.

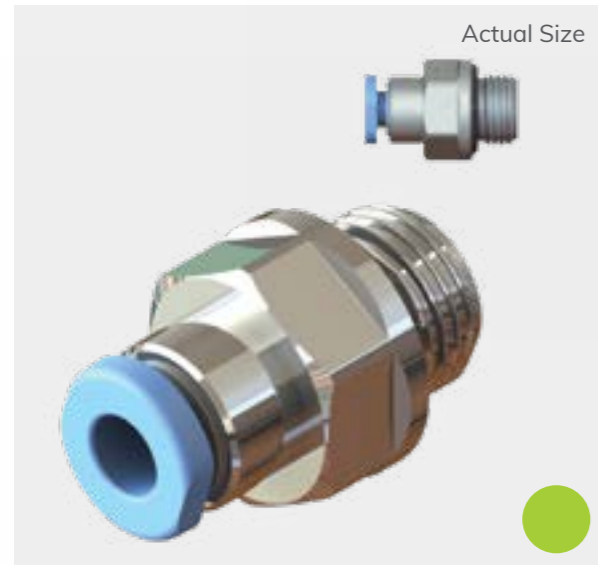


Price starting from: £19.05

\*Larger quantity price breaks available

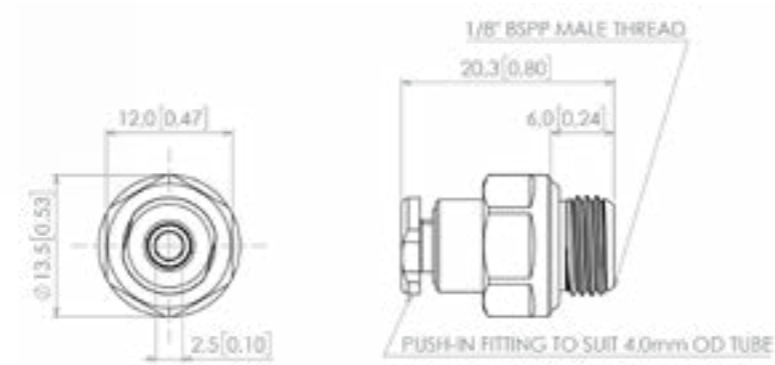
## Threaded Straights

### E-F-220037 - Nickel Plated Brass Straight Adaptor, EPDM Seal, 4.0mm OD Push-In Fitting to 1/8" BSPP Male Thread



#### Technical Data

**Max. Inlet Pressure:** 16 bar (232 psi)  
**Connection 1:** Push-In Fitting to suit 4.0mm OD Tube  
**Connection 2:** 1/8" BSPP Male Thread  
**Mounting Style:** Threaded  
**Wetted Materials:** Nickel Plated Brass, EPDM  
**Non-wetted Materials:** 301 Stainless Steel, Nylon  
**Media/Ambient Temperature:** -20°C to 100°C (-4°F to 212°F)  
**RoHS/REACH Compliant:** Yes  
**Cleanroom Manufactured:** No  
**Regulatory Information:** ISO 15001, CGA G4.1, ASTM G93-03 B  
**Other Technical Data:** A Nickel Plated Brass straight push-in adaptor with EPDM seals, 4.0mm OD push-in fitting and 1/8" BSPP male thread. This product is designed for life science markets, particularly for medical and analytical applications.



Price starting from: £4.05

\*Larger quantity price breaks available

#### More from this range



6.0mm OD to 1/8" BSPP Male Thread  
E-F-220039



4.0mm OD to M5x0.8 Male Thread  
E-F-220036

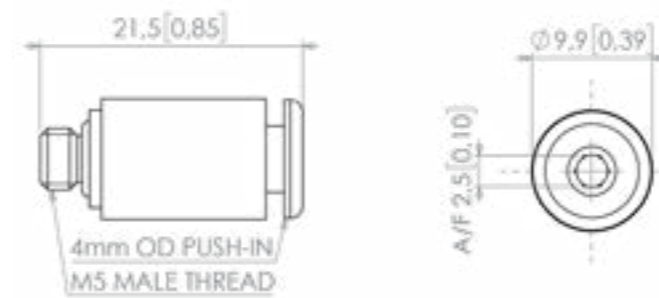


6.0mm OD to M5x0.8 Male Thread  
E-F-220038

### E-F-170817 - Nickel Plated Brass Straight Adaptor (Food Grade), Viton Seal, 4.0mm OD Push-In Fitting to M5 x 0.8 Male Thread

#### Technical Data

**Max. Inlet Pressure:** 16 bar (232 psi)  
**Connection 1:** M5 x 0.8 Male Thread  
**Connection 2:** 4.0mm OD Push-In Fitting  
**Mounting Style:** Threaded  
**Wetted Materials:** Nickel Plated Brass, Viton  
**Non-wetted Materials:** Nickel Plated Brass  
**Media/Ambient Temperature:** -20°C to 150°C (-4°F to 302°F)  
**RoHS/REACH Compliant:** Yes  
**Cleanroom Manufactured:** No  
**Regulatory Information:** NSF@/ANSI 61, NSF@/ANSI 169, Viton O-ring FDA Approved  
**Other Technical Data:** Internal hexagonal to aid installation and disassembly. Suitable for compressed air and vacuum. Compatible for use with Nylon, Polyurethane and Polyethylene tube.



Price starting from: £2.11

\*Larger quantity price breaks available



#### More from this range



4.0mm OD to 1/8" BSPP Male Thread  
E-F-170818



4.0mm OD to 1/4" BSPP Male Thread  
E-F-170819



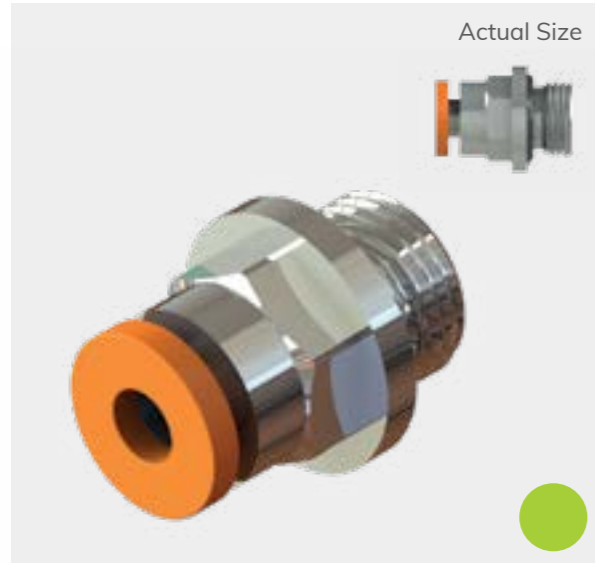
6.0mm OD to 1/8" BSPP Male Thread  
E-F-170821



6.0mm OD to 1/4" BSPP Male Thread  
E-F-170822

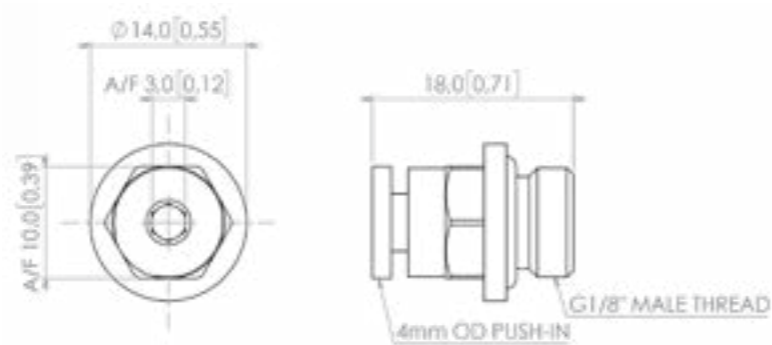
## Threaded Straights

### E-F-170695 - Nickel Plated Brass Straight Adaptor, Buna-N Seal, 4.0mm OD Push-In Fitting to 1/8" BSPP Male Thread



#### Technical Data

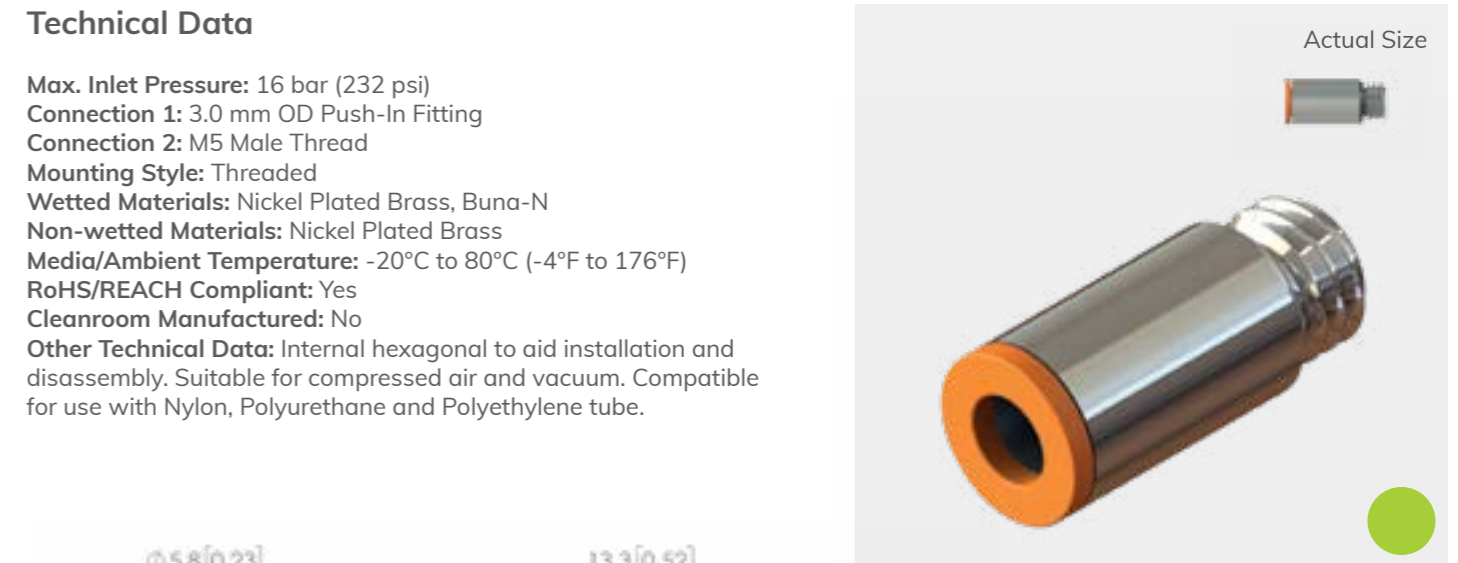
**Max. Inlet Pressure:** 16 bar (232 psi)  
**Connection 1:** 4.0mm OD Push-In Fitting  
**Connection 2:** 1/8" BSPP Male Thread  
**Mounting Style:** Threaded  
**Wetted Materials:** Nickel Plated Brass, Buna-N  
**Non-wetted Materials:** Nickel Plated Brass  
**Media/Ambient Temperature:** -20°C to 80°C (-4°F to 176°F)  
**RoHS/REACH Compliant:** Yes  
**Cleanroom Manufactured:** No  
**Other Technical Data:** Internal hexagonal to aid installation and disassembly. Suitable for compressed air and vacuum. Compatible for use with Nylon, Polyurethane and Polyethylene tube.



Price starting from: £1.41

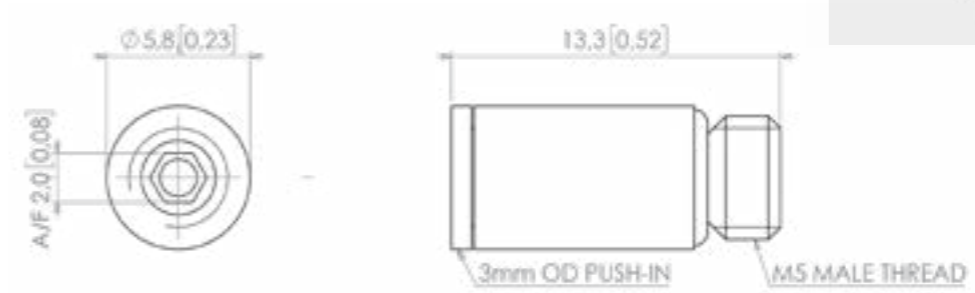
\*Larger quantity price breaks available

### E-F-170693 - Nickel Plated Brass Straight Adaptor, Buna-N Seal, 3.0mm OD Push-In Fitting to M5 x 0.8 Male Thread



#### Technical Data

**Max. Inlet Pressure:** 16 bar (232 psi)  
**Connection 1:** 3.0 mm OD Push-In Fitting  
**Connection 2:** M5 Male Thread  
**Mounting Style:** Threaded  
**Wetted Materials:** Nickel Plated Brass, Buna-N  
**Non-wetted Materials:** Nickel Plated Brass  
**Media/Ambient Temperature:** -20°C to 80°C (-4°F to 176°F)  
**RoHS/REACH Compliant:** Yes  
**Cleanroom Manufactured:** No  
**Other Technical Data:** Internal hexagonal to aid installation and disassembly. Suitable for compressed air and vacuum. Compatible for use with Nylon, Polyurethane and Polyethylene tube.



Price starting from: £3.41

\*Larger quantity price breaks available

#### More from this range



4.0mm to 1/4" BSPP Male Thread  
E-F-170696



6.0mm to 1/8" BSPP Male Thread  
E-F-170698



6.0mm to 1/4" BSPP Male Thread  
E-F-170699

#### More from this range



4.0mm OD to M5 x 0.8 Male Thread  
E-F-170694



6.0mm OD to M5 x 0.8 Male Thread  
E-F-170697

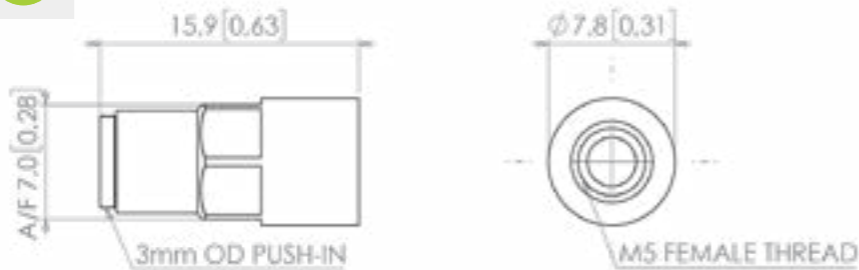
## Nickel Plated Brass - Threaded Straights

### E-F-170702 - Nickel Plated Brass Straight Adaptor, Buna-N Seal, 3.0mm OD Push-In Fitting to M5 x 0.8 Female Thread



#### Technical Data

**Max. Inlet Pressure:** 16 bar (232 psi)  
**Connection 1:** 3.0mm OD Push-In Fitting  
**Connection 2:** M5 x 0.8 Female Thread  
**Mounting Style:** Threaded  
**Wetted Materials:** Nickel Plated Brass, Buna-N  
**Non-wetted Materials:** Nickel Plated Brass  
**Media/Ambient Temperature:** -20°C to 80°C (-4°F to 176°F)  
**RoHS/REACH Compliant:** Yes  
**Cleanroom Manufactured:** No  
**Other Technical Data:** Suitable for compressed air and vacuum. Compatible for use with Nylon, Polyurethane and Polyethylene tube.



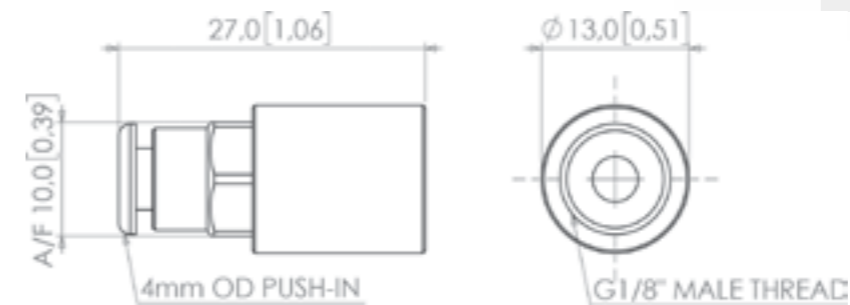
Price starting from: £3.85

\*Larger quantity price breaks available

### E-F-170825 - Nickel Plated Brass Straight Adaptor (Food Grade), Viton Seal, 4.0mm OD Push-In Fitting to 1/8" BSPP Female Thread

#### Technical Data

**Max. Inlet Pressure:** 16 bar (232 psi)  
**Connection 1:** Push-In Fitting to suit 4.0mm OD Tube  
**Connection 2:** 1/8" BSPP Female Thread  
**Mounting Style:** Threaded  
**Wetted Materials:** Nickel Plated Brass, Viton  
**Non-wetted Materials:** Nickel Plated Brass  
**Media/Ambient Temperature:** -20°C to 150°C (-4°F to 302°F)  
**RoHS/REACH Compliant:** Yes  
**Cleanroom Manufactured:** No  
**Regulatory Information:** NSF@/ANSI 61, NSF@/ANSI 169, FDA Approved Viton O-ring  
**Other Technical Data:** Suitable for compressed air and vacuum. Compatible for use with Nylon, Polyurethane and Polyethylene tube. This product does not contain any plastic parts so no risk of incompatibility.



Price starting from: £2.93

\*Larger quantity price breaks available

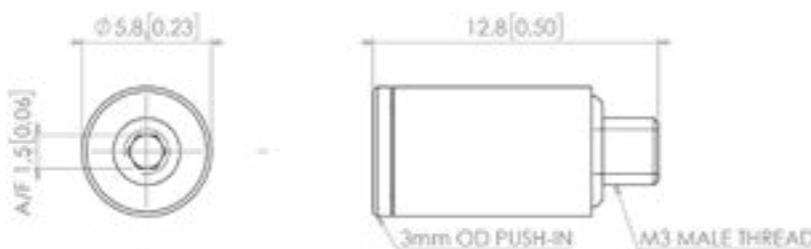


### E-F-170692 - Nickel Plated Brass Straight Adaptor, Buna-N Seal, 3.0mm OD Push-In Fitting to M3 x 0.5 Male Thread



#### Technical Data

**Max. Inlet Pressure:** 16 bar (232 psi)  
**Connection 1:** 3.0mm OD Push-In Fitting  
**Connection 2:** M3 x 0.5 Male Thread  
**Mounting Style:** Threaded  
**Wetted Materials:** Nickel Plated Brass, Buna-N  
**Non-wetted Materials:** Nickel Plated Brass  
**Media/Ambient Temperature:** -20°C to 80°C (-4°F to 176°F)  
**RoHS/REACH Compliant:** Yes  
**Cleanroom Manufactured:** No  
**Other Technical Data:** Internal hexagonal to aid installation and disassembly. Suitable for compressed air and vacuum. Compatible for use with Nylon, Polyurethane and Polyethylene tube.



Price starting from: £3.41

\*Larger quantity price breaks available

#### More from this range



6.0mm OD to 1/8" BSPP Female Thread  
E-F-170826



6.0mm OD to 1/4" BSPP Female Thread  
E-F-170827

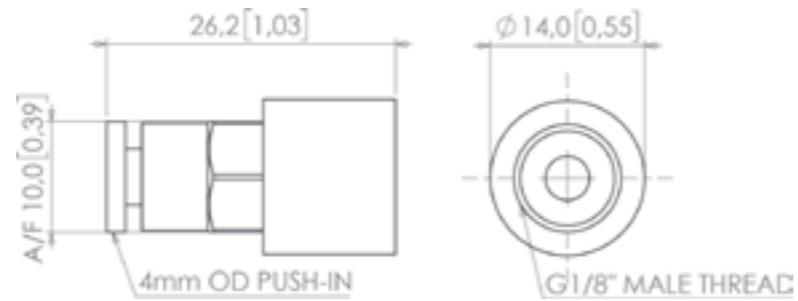
## Threaded Straights

**E-F-170703** - Nickel Plated Brass Straight Adaptor, Buna-N Seal, 4.0mm OD Push-In Fitting to 1/8" BSPP Female Thread



### Technical Data

**Max. Inlet Pressure:** 16 bar (232 psi)  
**Connections:** 1/8" BSPP Female Thread  
**Mounting Style:** Threaded  
**Wetted Materials:** Nickel Plated Brass, Buna-N  
**Non-wetted Materials:** Nickel Plated Brass  
**Media/Ambient Temperature:** -20°C to 80°C (-4°F to 176°F)  
**RoHS/REACH Compliant:** Yes  
**Cleanroom Manufactured:** No  
**Other Technical Data:** Suitable for compressed air and vacuum. Compatible for use with Nylon, Polyurethane and Polyethylene tube.



**Price starting from: £2.07**

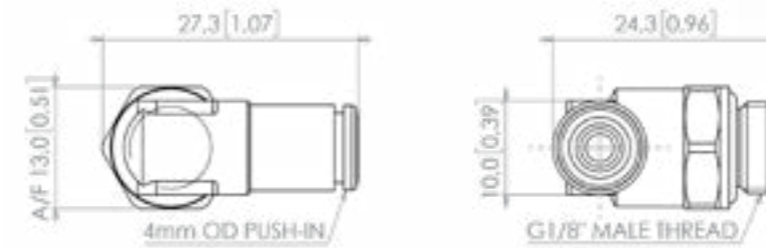
\*Larger quantity price breaks available

## Threaded Elbows

**E-F-170929** - 316L Stainless Steel Swivel Elbow Adaptor, Viton Seal, 4.0mm OD Push-In Fitting to 1/8" BSPP Male Thread

### Technical Data

**Max. Inlet Pressure:** 16 bar (232 psi)  
**Connection 1:** 4.0mm OD Push-In Fitting  
**Connection 2:** 1/8" BSPP Male Thread  
**Mounting Style:** Threaded  
**Wetted Materials:** 316L Stainless Steel, Viton  
**Non-wetted Materials:** 316L Stainless Steel, Stainless Steel  
**Media/Ambient Temperature:** -20°C to 150°C (-4°F to 302°F)  
**RoHS/REACH Compliant:** Yes  
**Cleanroom Manufactured:** No  
**Other Technical Data:** 4.0mm OD push-in swivel elbow male adaptor with a 316L Stainless Steel body, a 1/8" BSPP male thread and Viton seals. Internal hexagonal to aid installation and disassembly. Suitable for media compatible with the component materials.



**Price starting from: £34.53**

\*Larger quantity price breaks available

### More from this range



4.0mm to 1/4" BSPP Female Thread  
E-F-170704



6.0mm to 1/8" BSPP Female Thread  
E-F-170705



6.0mm to 1/8" BSPP Female Thread  
E-F-170705



6.0mm to 1/4" BSPP Female Thread  
E-F-170706

### More from this range



6.0mm OD to 1/8" BSPP Male Thread  
E-F-170931



4.0mm OD to M5 x 0.8 Male Thread  
E-F-170928



6.0mm OD to 1/4" BSPP Male Thread  
E-F-170930

## Threaded Elbows

### E-F-170923 - 316L Stainless Steel Swivel Elbow Adaptor, Viton Seal, 4.0mm OD Push-In Fitting to 1/8" BSPT Male Thread

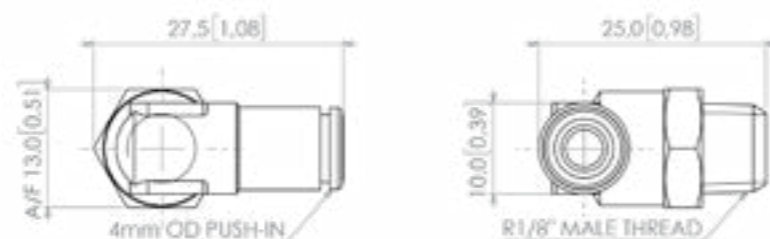


#### Technical Data

**Max. Inlet Pressure:** 16 bar (232 psi)  
**Connection 1:** 4.0mm OD Push-In Fitting  
**Connection 2:** 1/8" BSPT Male Thread  
**Mounting Style:** Threaded  
**Wetted Materials:** 316L Stainless Steel, Viton  
**Non-wetted Materials:** 316L Stainless Steel, Stainless Steel  
**Media/Ambient Temperature:** -20°C to 150°C (-4°F to 302°F)  
**RoHS/REACH Compliant:** Yes  
**Cleanroom Manufactured:** No  
**Other Technical Data:** 4.0mm OD push-in swivel elbow male adaptor with a 316L Stainless Steel body, a 1/8" BSPT male thread and Viton seals. Internal hexagonal to aid installation and disassembly.

Price starting from: £33.00

\*Larger quantity price breaks available

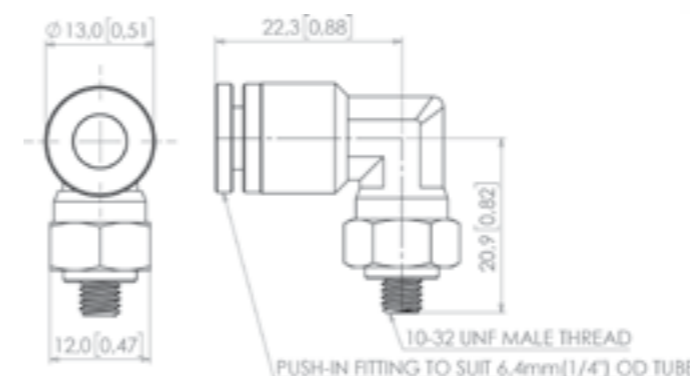


### E-F-210422 - 316 Stainless Steel Elbow Adaptor, Viton Seal, 1/4" (6.4mm) OD Push-In Fitting to 10-32 UNF Male Thread



#### Technical Data

**Max. Inlet Pressure:** 17.24 bar (250 psi) - at 23°C (75°F)  
**Connection 1:** Push-In Fitting to suit 1/4" (6.4mm) OD Tube  
**Connection 2:** 10-32 UNF Thread  
**Mounting Style:** Threaded  
**Wetted Materials:** 316 Stainless Steel, Viton  
**Non-wetted Materials:** 316 Stainless Steel  
**Media/Ambient Temperature:** -15°C to 110°C (5°F to 230°F)  
**RoHS/REACH Compliant:** Yes  
**Cleanroom Manufactured:** No  
**Other Technical Data:** Compatible with air, inert gas, water, liquid and oil. The product is designed for use with flexible tube and stiff tube which made with Nylon, Polyurethane, Polyethylene and Polypropylene.



Price starting from: £40.56

\*Larger quantity price breaks available

### More from this range

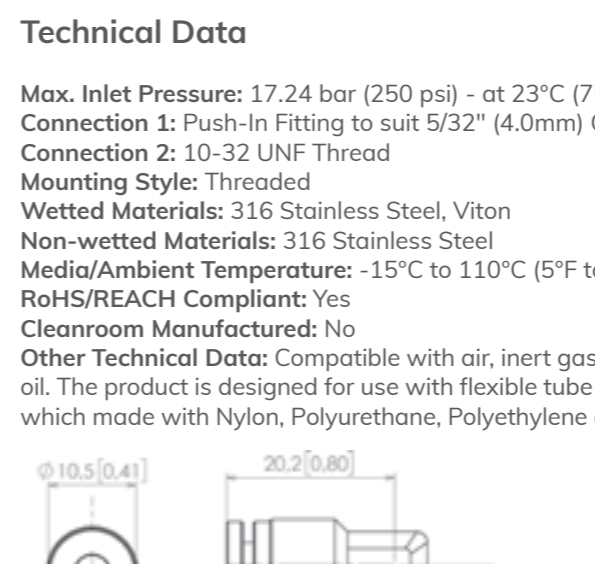


6.0mm OD to 1/4" BSPT Male Thread  
E-F-170924



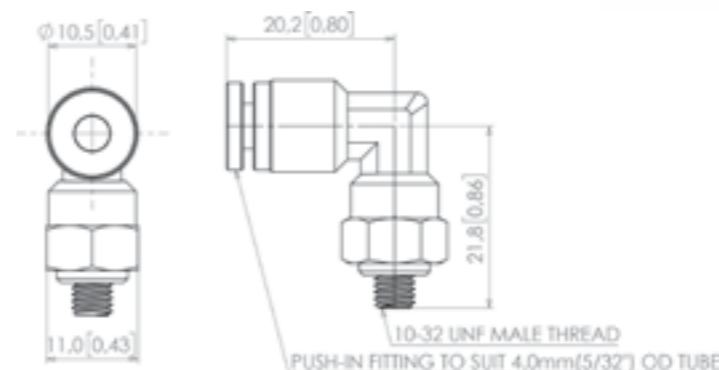
6.0mm OD to 1/8" BSPT Male Thread  
E-F-170925

### E-F-210423 - 316 Stainless Steel Elbow Adaptor, Viton Seal, 5/32" (4.0mm) OD Push-In Fitting to 10-32 UNF Male Thread



#### Technical Data

**Max. Inlet Pressure:** 17.24 bar (250 psi) - at 23°C (75°F)  
**Connection 1:** Push-In Fitting to suit 5/32" (4.0mm) OD Tube  
**Connection 2:** 10-32 UNF Thread  
**Mounting Style:** Threaded  
**Wetted Materials:** 316 Stainless Steel, Viton  
**Non-wetted Materials:** 316 Stainless Steel  
**Media/Ambient Temperature:** -15°C to 110°C (5°F to 230°F)  
**RoHS/REACH Compliant:** Yes  
**Cleanroom Manufactured:** No  
**Other Technical Data:** Compatible with air, inert gas, water, liquid and oil. The product is designed for use with flexible tube and stiff tube which made with Nylon, Polyurethane, Polyethylene and Polypropylene.



Price starting from: £37.59

\*Larger quantity price breaks available

## Threaded Elbows

### E-F-170850 - Nickel Plated Brass Swivel Elbow Adaptor (Food Grade), Viton Seal, 4.0mm OD Push-In Fitting to M5 x 0.8 Male Thread



#### Technical Data

Max. Inlet Pressure: 16 bar (232 psi)  
 Connection 1: M5 x 0.8 Male Thread  
 Connection 2: 4.0mm OD Stem  
 Mounting Style: Threaded  
 Wetted Materials: Nickel Plated Brass, Viton  
 Non-wetted Materials: Nickel Plated Brass  
 Media/Ambient Temperature: -20°C to 150°C (-4°F to 302°F)  
 RoHS/REACH Compliant: Yes  
 Cleanroom Manufactured: No  
 Regulatory Information: NSF@/ANSI 61, NSF@/ANSI 169, Viton O-ring FDA Approved  
 Other Technical Data: Nickel Plated Brass swivel male elbow adaptor (food grade) with M5 x 0.8 male thread to 4.0mm OD push-in fitting. Suitable for compressed air and vacuum. Compatible for use with Nylon, Polyurethane and Polyethylene tube.

Price starting from: £3.16

\*Larger quantity price breaks available



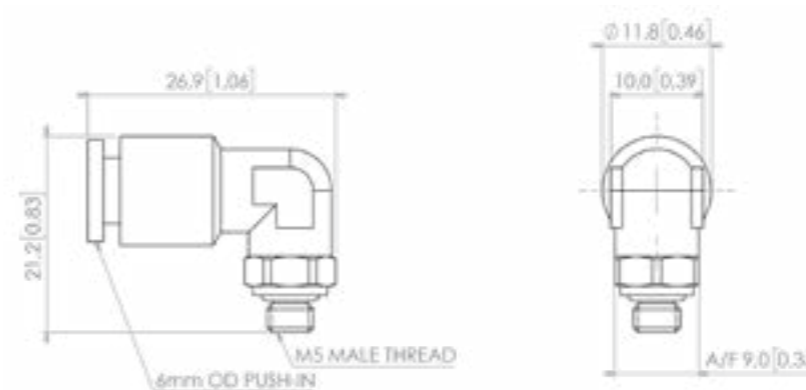
### E-F-170772 - Nickel Plated Brass Swivel Elbow Adaptor, Buna-N Seal, 6.0mm OD Push-In Fitting to M5 x 0.8 Male Thread

Max. Inlet Pressure: 16 bar (232 psi)  
 Connection 1: 6.0mm OD Push-In Fitting  
 Connection 2: M5 x 0.8 Male Thread  
 Mounting Style: Threaded  
 Wetted Materials: Nickel Plated Brass, Buna-N  
 Non-wetted Materials: Nickel Plated Brass, Stainless Steel  
 Media/Ambient Temperature: -20°C to 80°C (-4°F to 176°F)  
 RoHS/REACH Compliant: Yes  
 Cleanroom Manufactured: No  
 Other Technical Data: Nickel Plated Brass swivel male elbow with M5 x 0.8 male thread to 6.0mm OD push-in fitting. Suitable for compressed air and vacuum. Compatible for use with Nylon, Polyurethane and Polyethylene tube.



Price starting from: £2.37

\*Larger quantity price breaks available



#### More from this range



6.0mm OD to M5 x 0.8 Male Thread  
E-F-170853



4.0mm OD to 1/8" BSP Male Thread  
E-F-170851



4.0mm OD to 1/4" BSP Male Thread  
E-F-170852



6.0mm OD to 1/8" BSP Male Thread  
E-F-170854



6.0mm OD to 1/4" BSP Male Thread  
E-F-170855

### E-F-170769 - Nickel Plated Brass Swivel Elbow Adaptor, Buna-N Seal, 4.0mm OD Push-In Fitting to M5x0.8 Male Thread

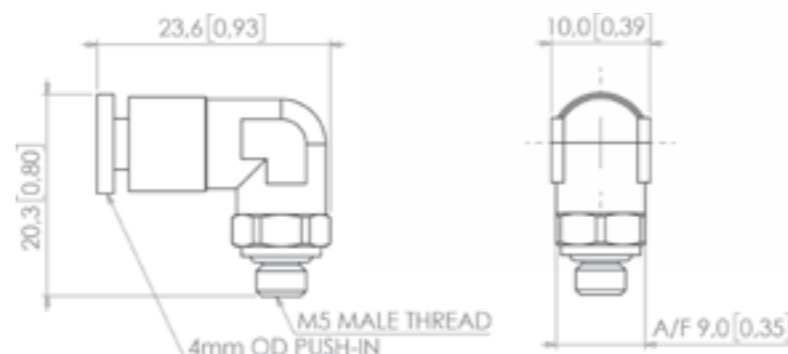
#### Technical Data

Max. Inlet Pressure: 16 bar (232 psi)  
 Connection 1: 4.0mm OD Push-In Fitting  
 Connection 2: M5 x 0.8 Male Thread  
 Mounting Style: Threaded  
 Wetted Materials: Nickel Plated Brass, Buna-N  
 Non-wetted Materials: Nickel Plated Brass, Stainless Steel  
 Media/Ambient Temperature: -20°C to 80°C (-4°F to 176°F)  
 RoHS/REACH Compliant: Yes  
 Cleanroom Manufactured: No  
 Other Technical Data: Suitable for compressed air and vacuum. Compatible for use with Nylon, Polyurethane and Polyethylene tube.



Price starting from: £2.50

\*Larger quantity price breaks available



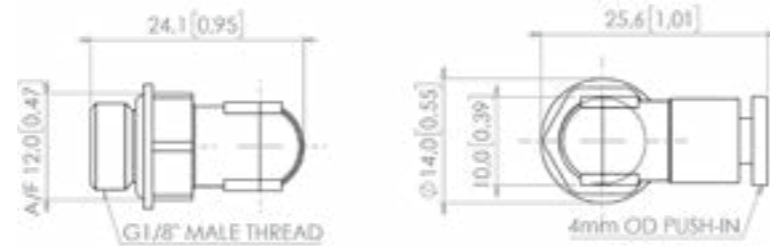
## Threaded Elbows

### E-F-170770 - Nickel Plated Brass Swivel Elbow Adaptor, Buna-N Seal, 4.0mm OD Push-In Fitting to 1/8" BSPP Male Thread



#### Technical Data

**Max. Inlet Pressure:** 16 bar (232 psi)  
**Connection 1:** 4.0mm OD Push-In Fitting  
**Connection 2:** 1/8" BSPP Male Thread  
**Mounting Style:** Threaded  
**Wetted Materials:** Nickel Plated Brass, Buna N  
**Non-wetted Materials:** Nickel Plated Brass  
**Media/Ambient Temperature:** -20°C to 80°C (-4°F to 176°F)  
**RoHS/REACH Compliant:** Yes  
**Cleanroom Manufactured:** No  
**Other Technical Data:** Nickel Plated Brass swivel male elbow with 1/8" BSPP male thread to 4mm OD push-in fitting. Suitable for compressed air and vacuum. Compatible for use with Nylon, Polyurethane and Polyethylene tube.



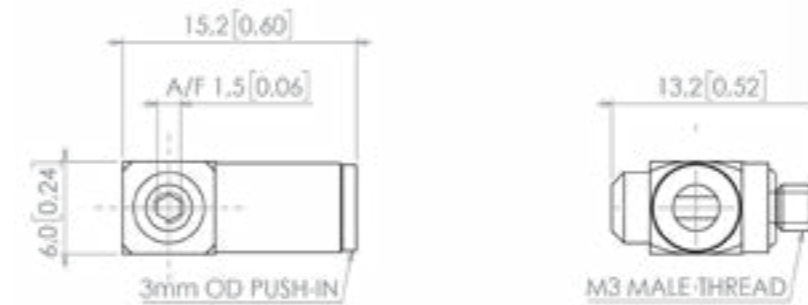
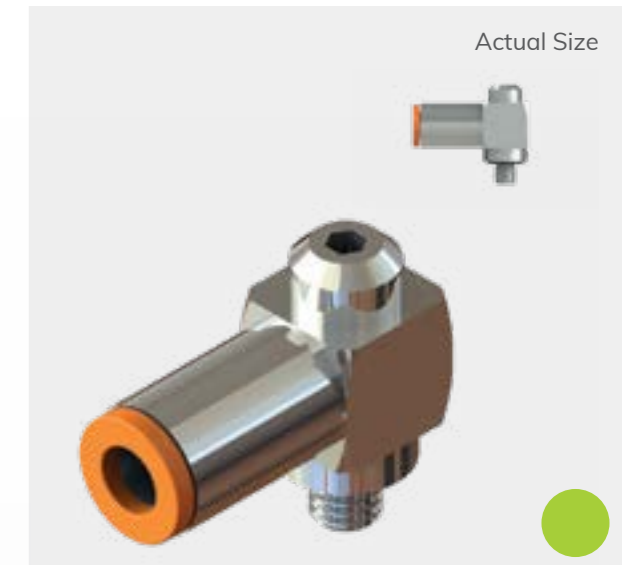
Price starting from: £2.07

\*Larger quantity price breaks available

### E-F-170753 - Nickel Plated Brass Swivel Banjo Elbow Adaptor, Buna-N Seal, 3.0mm OD Push-In Fitting to M3 x 0.5 Male Thread

#### Technical Data

**Max. Inlet Pressure:** 16 bar (232 psi)  
**Connection 1:** 3.0mm OD Push-In  
**Connection 2:** M3 x 0.5 Male Thread  
**Mounting Style:** Threaded  
**Wetted Materials:** Nickel Plated Brass, Buna N  
**Non-wetted Materials:** Nickel Plated Brass  
**Media/Ambient Temperature:** -20°C to 80°C (-4°F to 176°F)  
**RoHS/REACH Compliant:** Yes  
**Cleanroom Manufactured:** No  
**Other Technical Data:** Nickel Plated Brass swivel banjo elbow with M3 male thread to 3.0mm OD push-in fitting. Suitable for compressed air and vacuum. Compatible for use with Nylon, Polyurethane and Polyethylene tube.



Price starting from: £6.24

\*Larger quantity price breaks available

#### More from this range



6.0mm OD to 1/8" BSPP Male Thread  
E-F-170773



4.0mm OD to 1/4" BSPP Male Thread  
E-F-170771



6.0mm OD to 1/4" BSPP Male Thread  
E-F-170774

#### More from this range



3.0mm OD to M5 x 0.8 Male Thread  
E-F-170754



4.0mm OD to M5 x 0.8 Male Thread  
E-F-170755

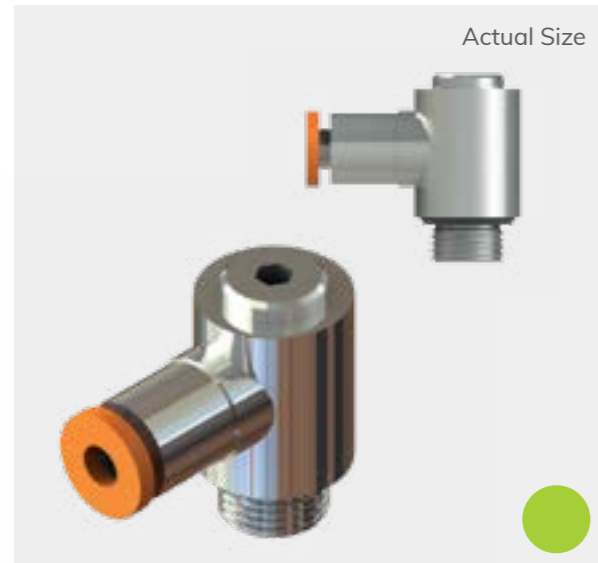


6.0mm OD to M5 x 0.8 Male Thread  
E-F-170757



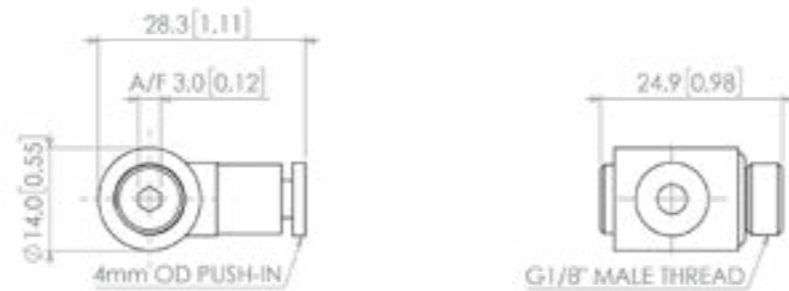
## Threaded Elbows

**E-F-170756** - Nickel Plated Brass Swivel Banjo Elbow Adaptor, Buna-N Seal, 4.0mm OD Push-In Fitting to 1/8" BSPP Male Thread



### Technical Data

**Max. Inlet Pressure:** 16 bar (232 psi)  
**Connection 1:** 4.0mm OD Tube  
**Connection 2:** 1/8" BSPP Male Thread  
**Mounting Style:** Threaded  
**Wetted Materials:** Nickel Plated Brass, Buna-N  
**Non-wetted Materials:** Nickel Plated Brass  
**Media/Ambient Temperature:** -20°C to 80°C (-4°F to 176°F)  
**RoHS/REACH Compliant:** Yes  
**Cleanroom Manufactured:** No  
**Other Technical Data:** Suitable for compressed air and vacuum. Compatible for use with Nylon, Polyurethane and Polyethylene tube.



**Price starting from: £3.36**

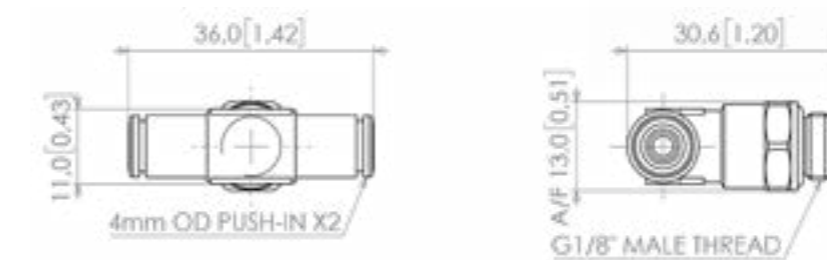
\*Larger quantity price breaks available

## Threaded Tees

**E-F-170935** - 316L Stainless Steel Swivel Branch Tee Adaptor, Viton Seal, 4.0mm OD Push-In Fitting (x2) to 1/8" BSPP Male Thread

### Technical Data

**Max. Inlet Pressure:** 16 bar (232 psi)  
**Connection 1:** 4.0mm OD Push-In (x2)  
**Connection 2:** 1/8" BSPP Male Thread  
**Mounting Style:** Threaded  
**Wetted Materials:** 316L Stainless Steel, Stainless Steel, Viton  
**Non-wetted Materials:** 316L Stainless Steel, Stainless Steel  
**Media/Ambient Temperature:** -20°C to 150°C (-4°F to 302°F)  
**RoHS/REACH Compliant:** Yes  
**Cleanroom Manufactured:** No  
**Other Technical Data:** Internal hexagonal to aid installation and disassembly. Suitable for compressed air and vacuum.



**Price starting from: £42.31**

\*Larger quantity price breaks available

### More from this range



6.0mm OD to 1/8" BSPP Male Thread  
E-F-170758



6.0mm OD to 1/4" BSPP Male Thread  
E-F-170759

### More from this range



4.0mm OD to M5 x 0.8 Male Thread  
E-F-170934



6.0mm OD to 1/8" BSPP Male Thread  
E-F-170937



6.0mm OD to 1/4" BSPP Male Thread  
E-F-170936

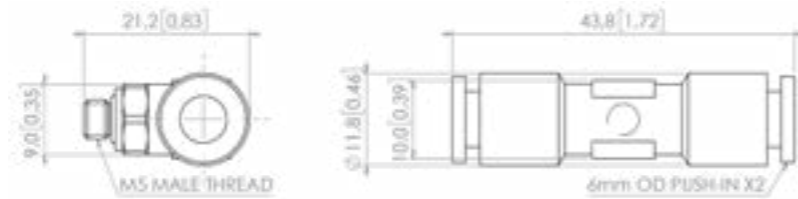
## Threaded Tees

**E-F-170780** - Nickel Plated Brass Swivel Branch Tee Adaptor, Buna-N Seal, 6.0mm OD Push-In Fitting (x2) to M5 x 0.8 Male Thread



### Technical Data

**Max. Inlet Pressure:** 16 bar (232 psi)  
**Connection 1:** 6.0mm OD Push-In Fitting (x2)  
**Connection 2:** M5 x 0.8 Male Thread  
**Mounting Style:** Threaded  
**Wetted Materials:** Nickel Plated Brass, Buna-N  
**Non-wetted Materials:** Nickel Plated Brass, Stainless Steel  
**Media/Ambient Temperature:** -20°C to 80°C (-4°F to 176°F)  
**RoHS/REACH Compliant:** Yes  
**Cleanroom Manufactured:** No  
**Other Technical Data:** Suitable for compressed air and vacuum. Compatible for use with Nylon, Polyurethane and Polyethylene tube.



**Price starting from: £2.86**

\*Larger quantity price breaks available

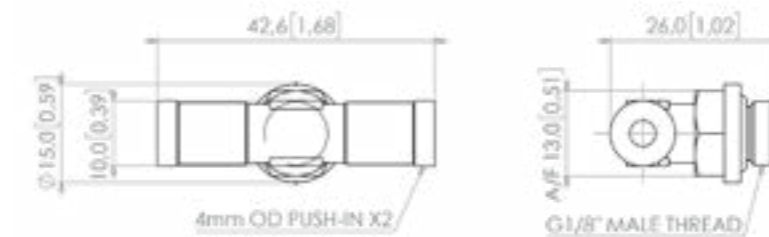
## Threaded Tees

**E-F-170858** - Nickel Plated Brass Swivel Branch Tee Adaptor (Food Grade), Viton Seal, 4.0mm OD Push-In Fitting (x2) to 1/8" BSPP Male Thread



### Technical Data

**Max. Inlet Pressure:** 16 bar (232 psi)  
**Connection 1:** 4.0mm OD Push-In Fitting (x2)  
**Connection 2:** 1/8" BSPP Male Thread  
**Mounting Style:** Threaded  
**Wetted Materials:** Nickel Plated Brass, Viton  
**Non-wetted Materials:** Nickel Plated Brass  
**Media/Ambient Temperature:** -20°C to 150°C (-4°F to 302°F)  
**RoHS/REACH Compliant:** Yes  
**Cleanroom Manufactured:** No  
**Regulatory Information:** NSF@/ANSI 61, NSF@/ANSI 169, FDA Approved Viton O-ring  
**Other Technical Data:** Suitable for compressed air and vacuum. Compatible for use with Nylon, Polyurethane and Polyethylene tube. This product does not contain any plastic parts so no risk of incompatibility.



**Price starting from: £5.23**

\*Larger quantity price breaks available



### More from this range



4.0mm OD to 1/8" BSPP Male Thread  
E-F-170778



6.0mm OD to 1/8" BSPP Male Thread  
E-F-170781



4.0mm OD to 1/4" BSPP Male Thread  
E-F-170779



6.0mm OD to 1/4" BSPP Male Thread  
E-F-170782

### More from this range



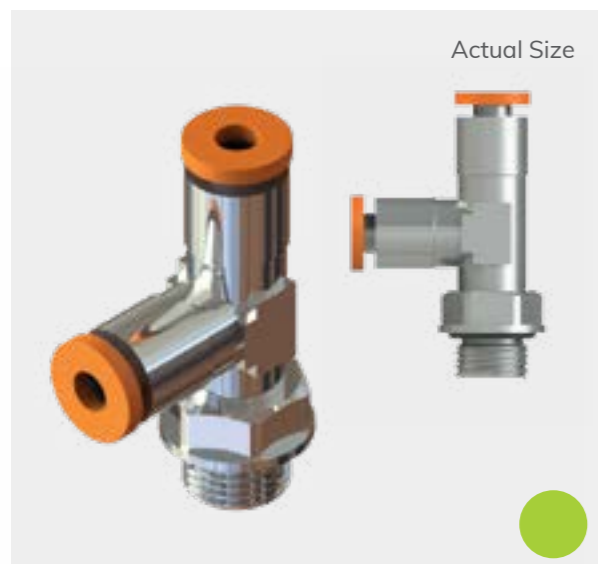
6.0mm OD to 1/8" BSPP Male Thread  
E-F-170859



6.0mm OD to 1/4" BSPP Male Thread  
E-F-170860

## Threaded Tees

**E-F-170785** - Nickel Plated Brass Swivel Run Tee Adaptor, Buna-N Seal, 4.0mm OD Push-In Fitting (x2) to 1/8" BSPP Male Thread

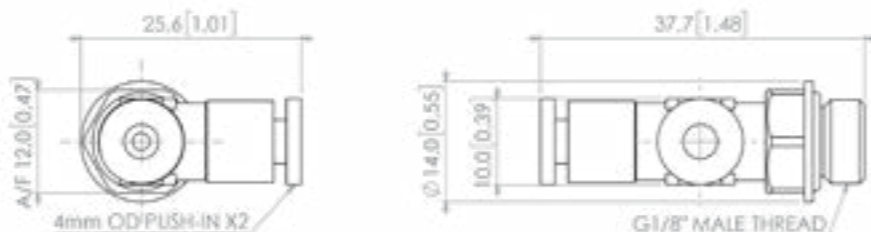


### Technical Data

Max. Inlet Pressure: 16 bar (232 psi)  
 Connection 1: 4.0mm OD Push-In Fitting (x2)  
 Connection 2: 1/8" BSPP Male Thread  
 Mounting Style: Threaded  
 Wetted Materials: Nickel Plated Brass, Buna N  
 Non-wetted Materials: Nickel Plated Brass, Stainless Steel  
 Media/Ambient Temperature: -20°C to 80°C (-4°F to 176°F)  
 RoHS/REACH Compliant: Yes  
 Cleanroom Manufactured: No  
 Other Technical Data: Suitable for compressed air and vacuum.  
 Compatible for use with Nylon, Polyurethane and Polyethylene tube.

Price starting from: £3.07

\*Larger quantity price breaks available



## Threaded Tees

**E-F-170863** - Nickel Plated Brass Swivel Run Tee Adaptor (Food Grade), Viton Seal, 4.0mm OD Push-In Fitting (x2) to 1/8" BSPP Male Thread

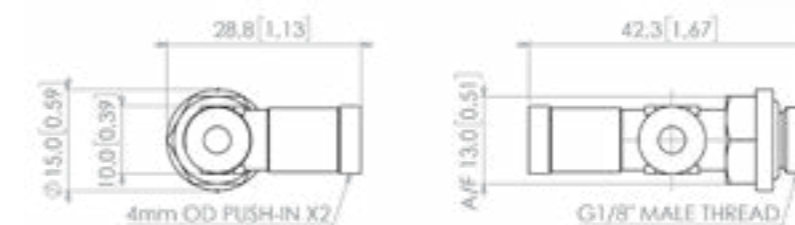
### Technical Data

Max. Inlet Pressure: 16 bar (232 psi)  
 Connection 1: 4.0mm OD Push-In (x2)  
 Connection 2: 1/8" BSPP Male Thread  
 Mounting Style: Threaded  
 Wetted Materials: Nickel Plated Brass, Viton  
 Non-wetted Materials: Nickel Plated Brass  
 Media/Ambient Temperature: -20°C to 150°C (-4°F to 302°F)  
 RoHS/REACH Compliant: Yes  
 Cleanroom Manufactured: No  
 Regulatory Information: NSF@/ANSI 61, NSF@/ANSI 169, Viton O-ring  
 FDA Approved  
 Other Technical Data: Suitable for compressed air and vacuum.  
 Compatible for use with Nylon, Polyurethane and Polyethylene tube.



Price starting from: £6.19

\*Larger quantity price breaks available



More from this range



6.0mm OD to 1/8" BSPP Male Thread  
E-F-170786



6.0mm OD to 1/4" BSPP Male Thread  
E-F-170787

More from this range



6.0mm OD to 1/8" BSPP Male Thread  
E-F-170864



4.0mm OD to 1/4" BSPP Male Thread  
E-F-170865

## Accessories - Adaptors

### E-F-170721 - Nickel Plated Brass Straight Adaptor, Buna-N Seal, 3.0mm OD Stem to M3 x 0.5 Male Thread



#### Technical Data

**Max. Inlet Pressure:** 16 bar (232 psi)  
**Connection 1:** 3.0 mm OD Stem  
**Connection 2:** M3 x 0.5 Male Thread  
**Mounting Style:** Threaded  
**Wetted Materials:** Nickel Plated Brass, Buna-N  
**Non-wetted Materials:** Nickel Plated Brass  
**Media/Ambient Temperature:** -20°C to 80°C (-4°F to 176°F)  
**RoHS/REACH Compliant:** Yes  
**Cleanroom Manufactured:** No  
**Other Technical Data:** Suitable for compressed air and vacuum. Compatible for use with Nylon, Polyurethane and Polyethylene tube.

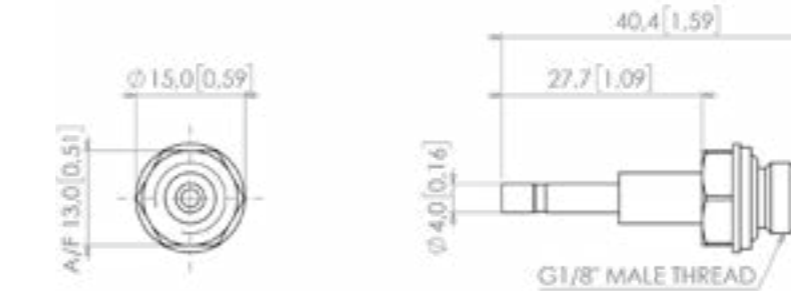


Price starting from: £1.88

\*Larger quantity price breaks available

### E-F-170730 - Nickel Plated Brass Straight Extended Adaptor, Buna-N Seal, 4.0mm OD Stem to 1/8" BSPP Male Thread

**Max. Inlet Pressure:** 16 bar (232 psi)  
**Connection 1:** 4.0mm OD Extended Stem  
**Connection 2:** 1/8" BSPP Male Thread  
**Mounting Style:** Threaded  
**Wetted Materials:** Nickel Plated Brass, Buna-N  
**Non-wetted Materials:** Nickel Plated Brass  
**Media/Ambient Temperature:** -20°C to 80°C (-4°F to 176°F)  
**RoHS/REACH Compliant:** Yes  
**Cleanroom Manufactured:** No  
**Other Technical Data:** Nickel Plated Brass straight adaptor with 4.0mm OD extended stem to 1/8" BSPP male thread. Suitable for compressed air and vacuum. Compatible for use with Nylon, Polyurethane and Polyethylene tube.



Price starting from: £1.26

\*Larger quantity price breaks available

#### More from this range



4.0mm OD to M5 x 0.8 Male Thread  
E-F-170722



6.0mm OD to M5 x 0.8 Male Thread  
E-F-170725

#### More from this range



6.0mm OD to 1/8" BSPP Male Thread  
E-F-170731



6.0mm OD to 1/4" BSPP Male Thread  
E-F-170732

## Accessories - Adaptors

### E-F-170839 - Nickel Plated Brass Straight Adaptor (Food Grade), Viton Seal, 4.0mm OD Stem to M5 x 0.8 Male Thread

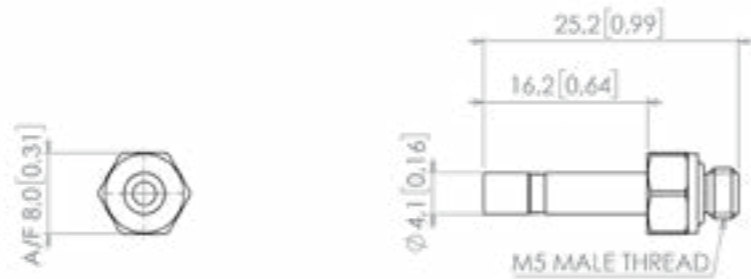


#### Technical Data

**Max. Inlet Pressure:** 16 bar (232 psi)  
**Connection 1:** 4.0mm OD Stem  
**Connection 2:** M5 x 0.8 Male Thread  
**Mounting Style:** Threaded  
**Wetted Materials:** Nickel Plated Brass, Viton  
**Non-wetted Materials:** Nickel Plated Brass  
**Media/Ambient Temperature:** -20°C to 150°C (-4°F to 302°F)  
**RoHS/REACH Compliant:** Yes  
**Cleanroom Manufactured:** No  
**Regulatory Information:** NSF@/ANSI 61, NSF@/ANSI 169, Viton O-ring FDA Approved  
**Other Technical Data:** Suitable for compressed air and vacuum. Compatible for use with Nylon, Polyurethane and Polyethylene tube.

Price starting from: £2.09

\*Larger quantity price breaks available



### E-F-170723 - Nickel Plated Brass Straight Adaptor, Buna-N Seal, 4.0mm OD Stem to 1/8" BSPP Male Thread

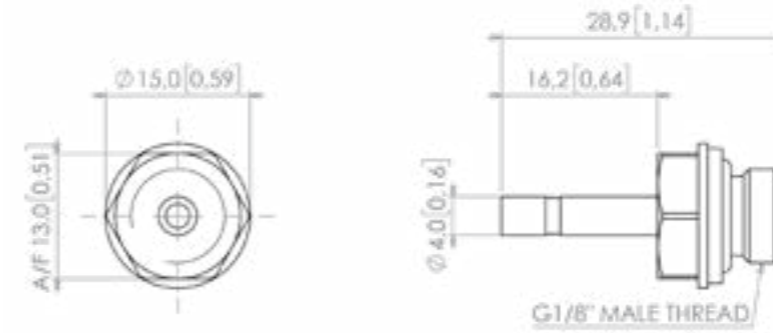
#### Technical Data

**Max. Inlet Pressure:** 16 bar (232 psi)  
**Connection 1:** 4.0mm OD Stem  
**Connection 2:** 1/8" BSPP Male Thread  
**Mounting Style:** Threaded  
**Wetted Materials:** Nickel Plated Brass, Buna-N  
**Non-wetted Materials:** Nickel Plated Brass  
**Media/Ambient Temperature:** -20°C to 80°C (-4°F to 176°F)  
**RoHS/REACH Compliant:** Yes  
**Cleanroom Manufactured:** No  
**Other Technical Data:** Nickel Plated Brass straight adaptor with 4.0mm OD stem to 1/8" BSPP male thread. Suitable for compressed air and vacuum. Compatible for use with Nylon, Polyurethane and Polyethylene tube.



Price starting from: £0.65

\*Larger quantity price breaks available



#### More from this range



6.0mm OD Stem to M5 x 0.8 Male Thread  
E-F-170842



4.0mm OD to 1/8" BSPP Male Thread  
E-F-170840



4.0mm OD to 1/4" BSPP Male Thread  
E-F-170841



6.0mm OD to 1/8" BSPP Male Thread  
E-F-170843



4.0mm OD to 1/8" BSPP Male Thread  
E-F-170844

#### More from this range



6.0mm OD to 1/8" BSPP Male Thread  
E-F-170726



4.0mm OD to 1/4" BSPP Male Thread  
E-F-170724



6.0mm OD to 1/4" BSPP Male Thread  
E-F-170727

## Nickel Plated - Accessories

### E-F-170738 - Nickel Plated Brass Straight Adaptor, Buna-N Seal, 4.0mm OD Stem to 3.0mm OD Push-In fitting

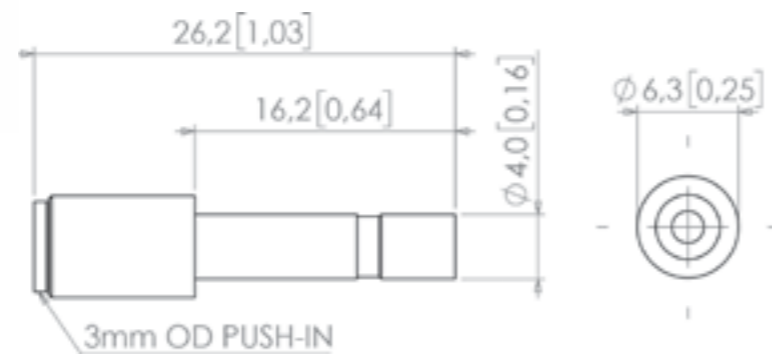


Price starting from: £2.59

\*Larger quantity price breaks available

#### Technical Data

Max. Inlet Pressure: 16 bar (232 psi)  
 Connection 1: 4.0mm OD Stem  
 Connection 2: Push-In Fitting to suit 3.0mm OD Tube  
 Mounting Style: In-line  
 Wetted Materials: Nickel Plated Brass, Buna-N  
 Non-wetted Materials: Nickel Plated Brass  
 Media/Ambient Temperature: -20°C to 80°C (-4°F to 176°F)  
 RoHS/REACH Compliant: Yes  
 Cleanroom Manufactured: No  
 Other Technical Data: Suitable for compressed air and vacuum.  
 Compatible for use with Nylon and Polypropylene tube.

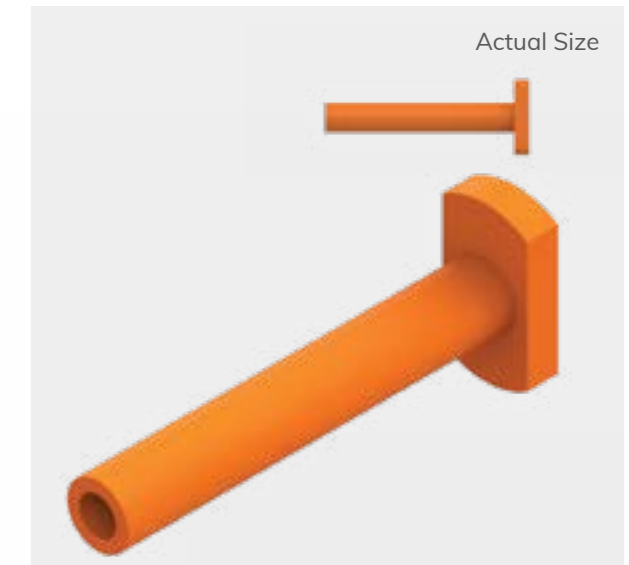
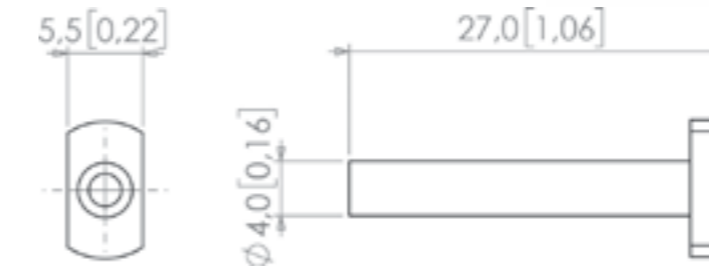


## Accessories - Plugs

### E-F-170743 - Technopolymer 4.0mm OD Blanking Plug

#### Technical Data

Connection 1: 4.0mm OD Stem  
 Connection 2: None - Closed End  
 Mounting Style: In-line  
 Wetted Materials: Technopolymer  
 Non-wetted Materials: Technopolymer  
 Media/Ambient Temperature: -20°C to 60°C (-4°F to 140°F)  
 RoHS/REACH Compliant: Yes  
 Cleanroom Manufactured: No



Price starting from: £0.31

\*Larger quantity price breaks available

6.0mm OD  
E-F-170744



### E-F-170739 - Nickel Plated Brass Straight Adaptor, Buna-N Seal, 6.0mm OD Stem to 4.0mm OD Push-In fitting

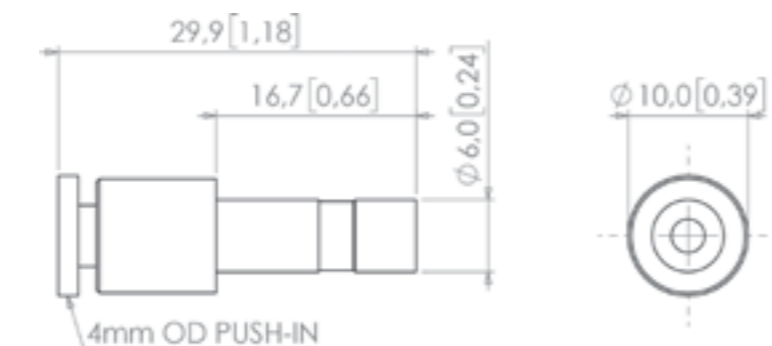


Price starting from: £1.39

\*Larger quantity price breaks available

#### Technical Data

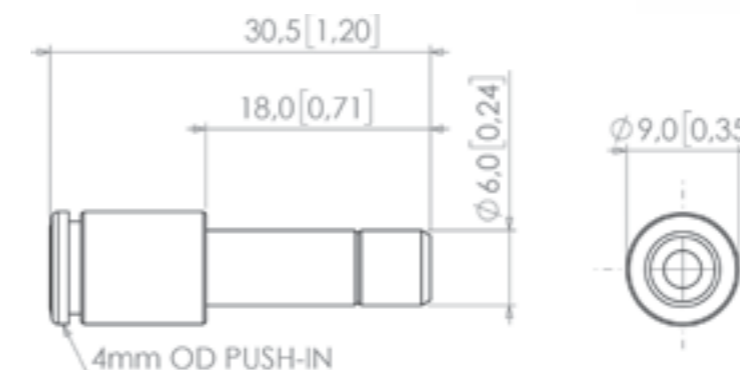
Max. Inlet Pressure: 16 bar (232 psi)  
 Connection 1: 6.0mm OD Stem  
 Connection 2: Push-In Fitting to suit 4.0mm OD Tube  
 Mounting Style: In-line  
 Wetted Materials: Nickel Plated Brass, Buna-N  
 Non-wetted Materials: Nickel Plated Brass  
 Media/Ambient Temperature: -20°C to 80°C (-4°F to 176°F)  
 RoHS/REACH Compliant: Yes  
 Cleanroom Manufactured: No  
 Other Technical Data: Suitable for compressed air and vacuum.  
 Compatible for use with Nylon and Polypropylene tube.



### E-F-170940 - 316L Stainless Steel Straight Adaptor, Viton Seal, 6.0mm OD Stem to 4.0mm OD Push-In Fitting

#### Technical Data

Max. Inlet Pressure: 16 bar (232 psi)  
 Connection 1: 6.0mm OD Stem  
 Connection 2: Push-In Fitting to suit 4.0mm OD Tube  
 Mounting Style: In-line  
 Wetted Materials: 316L Stainless Steel, Viton  
 Non-wetted Materials: 316L Stainless Steel, Stainless Steel  
 Media/Ambient Temperature: -20°C to 150°C (-4°F to 302°F)  
 RoHS/REACH Compliant: Yes  
 Cleanroom Manufactured: No  
 Other Technical Data: Suitable for compressed air and vacuum.



Price starting from: £19.88

\*Larger quantity price breaks available

# Plastic Luers



## Key features include:

- Optional style and size of connection
- RoHS and REACH compliant
- ISO 80369-7 available
- USP Class VI, ISO 10993, California Prop. 65 Compliant
- Animal Derivative Free, Phthalate Free and FDA to name a few
- Colour options are also available on request
- Cleanroom manufactured
- Large bore luers



Soft tubing - 50-85 Shore A



Hard tubing - 90-95 Shore A

## Plastic luers

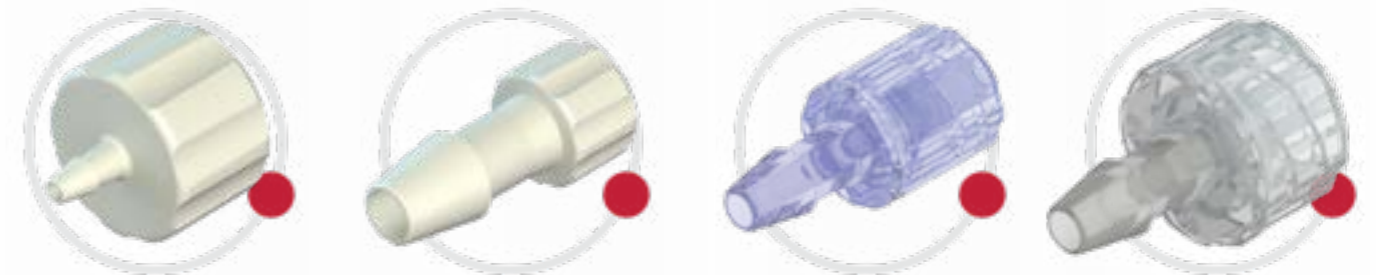
Eox offers a wide range of plastic luers - commonly used in the medical, scientific and analytical markets where a valved quick connect is not required. The luer is a standardised system of small scale fluid fittings used for making leak-free connections between a male taper fitting and the mating female connection which are typically used on medical and laboratory instruments - including hypodermic syringe tips, needles or stopcocks.

Eox luers are available in the following materials: Polypropylene, Nylon, Radiation Stable Polycarbonate, ABS, Polycarbonate, Acrylic and Kynar, all of which are manufactured in a cleanroom.

Our non-sterile medical luer connectors are available in the following options: luer locks, slip luers, wing grip luers, bond-in luers and rotating luers that connect to tubing in a wide selection of sizes.

## Types of luers we offer:

### Male Luers



### Female Luers



### Panel Mount



### Large Bore

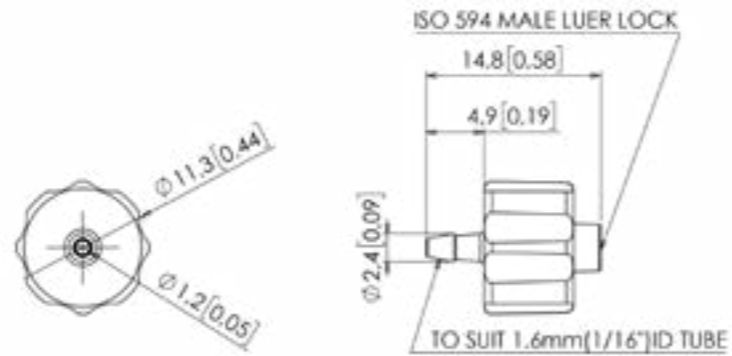


E-F-210245 - White Nylon Luer, 1/16" (1.6mm) ID Tube to Male Luer Lock



Technical Data

**Connection 1:** Male Luer Lock  
**Connection 2:** 1/16" (1.6mm) ID Tube  
**Mounting Style:** In-line  
**Wetted Materials:** White Nylon  
**Non-wetted Materials:** White Nylon  
**RoHS/REACH Compliant:** Yes  
**Cleanroom Manufactured:** Class 8 (100,000) cleanroom  
**Regulatory Information:** Meets Requirements for FDA 21 CFR 177.1500, California Prop. 65  
**Other Technical Data:** A White Nylon luer with barb for 1/16" (1.6mm) ID tube to male luer lock. Phthalate Free. Latex Free. Phthalate Free. Latex Free. DEHP Free. Ozone depleting substances compliant. Compatible with EtO (Ethylene Oxide) sterilisation and can withstand gamma sterilisation to 50kGy.



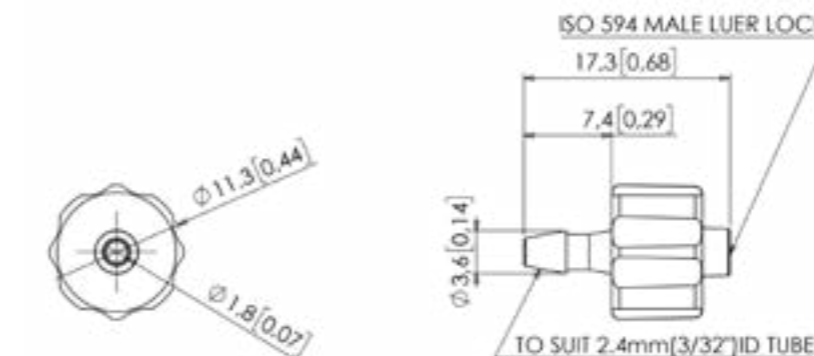
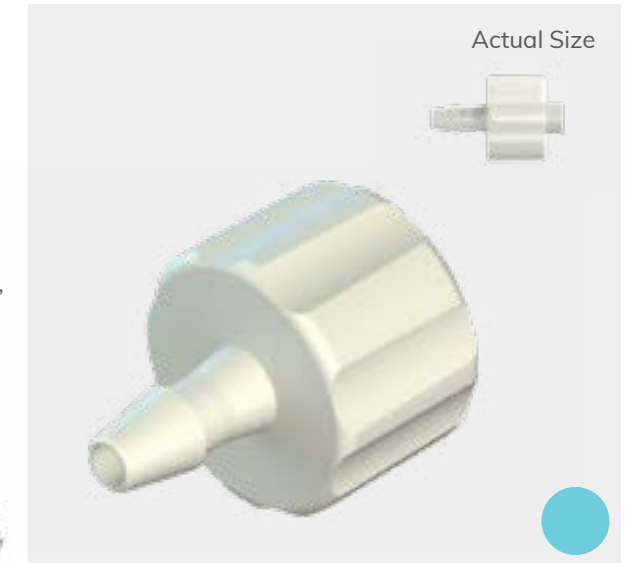
Price starting from: £0.34

\*Larger quantity price breaks available

E-F-210253 - White Nylon Luer, 3/32" (2.4mm) ID Tube to Male Luer Lock

Technical Data

**Connection 1:** Male Luer Lock  
**Connection 2:** 3/32" (2.4mm) ID Tube  
**Mounting Style:** In-line  
**Wetted Materials:** White Nylon  
**Non-wetted Materials:** White Nylon  
**RoHS/REACH Compliant:** Yes  
**Cleanroom Manufactured:** Class 8 (100,000) cleanroom  
**Regulatory Information:** Meets Requirements for FDA 21 CFR 177.1500, California Prop. 65  
**Other Technical Data:** A White Nylon luer with barb for 3/32" (2.4mm) ID tube to male luer lock. Phthalate Free. Latex Free. DEHP Free. Ozone depleting substances compliant. Compatible with EtO (Ethylene Oxide) sterilisation and can withstand gamma sterilisation to 50kGy.



Price starting from: £0.34

\*Larger quantity price breaks available

More from this range



1/16"  
Clear ABS  
E-F-170576



1/16" Animal Free  
Polypropylene  
E-F-160074



1/16"  
Clear Polycarbonate  
E-F-160075



1/16"  
Kynar  
E-F-160077

More from this range



3/32"  
Clear ABS  
E-F-170580



3/32" Animal Free  
Polypropylene  
E-F-160027



3/32" Clear  
Polycarbonate  
E-F-160079



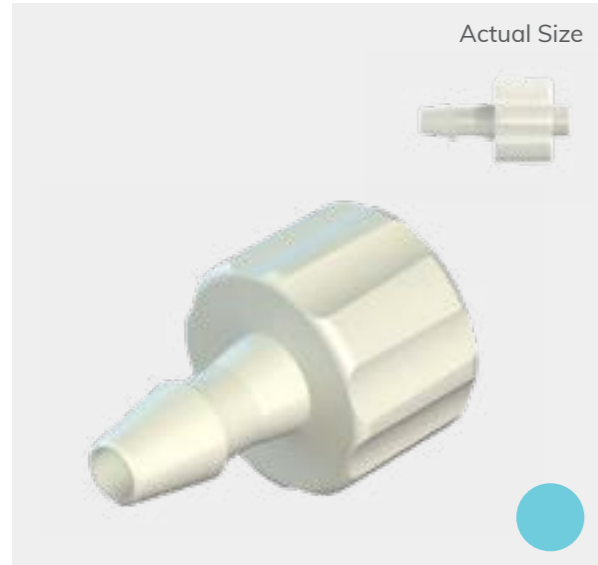
3/32" Rad. Stable  
Polycarbonate  
E-F-160080



3/32"  
Kynar  
E-F-160081

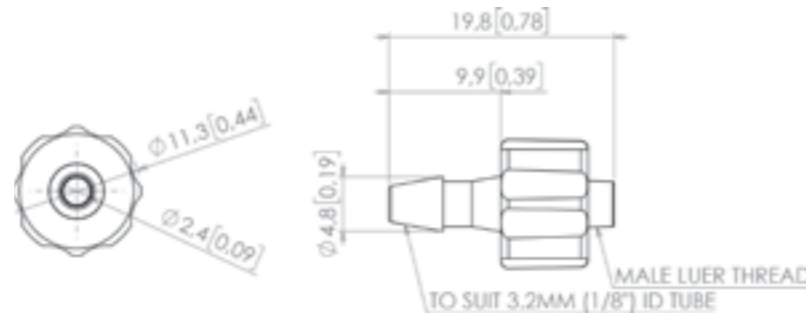


E-F-210250 - White Nylon Luer, 1/8" (3.2mm) ID Tube to Male Luer Lock



Technical Data

**Connection 1:** Male Luer Lock  
**Connection 2:** 1/8" (3.2mm) ID Tube  
**Mounting Style:** In-line  
**Wetted Materials:** White Nylon  
**Non-wetted Materials:** White Nylon  
**RoHS/REACH Compliant:** Yes  
**Cleanroom Manufactured:** Class 8 (100,000) cleanroom  
**Regulatory Information:** Meets Requirements for FDA 21 CFR 177.1500, California Prop. 65  
**Other Technical Data:** A White Nylon luer with barb for 1/8" (3.2mm) ID tube to male luer lock. Phthalate Free. Latex Free. DEHP Free. Ozone depleting substances compliant. Compatible with EtO (Ethylene Oxide) sterilisation and can withstand gamma sterilisation to 50kGy.



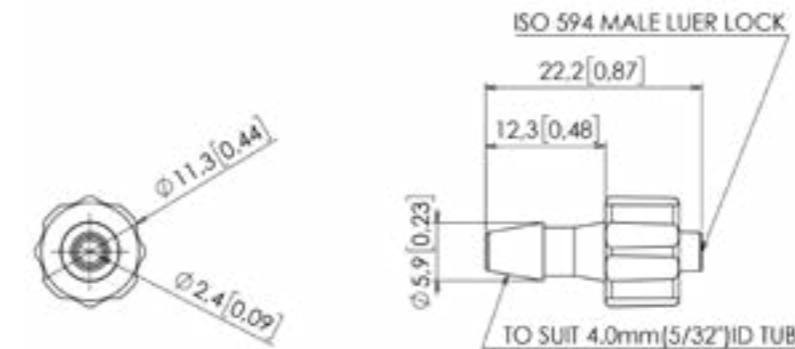
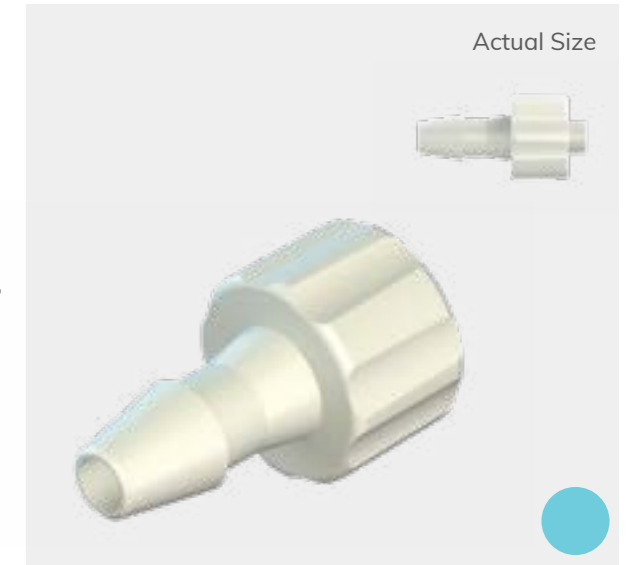
Price starting from: £0.34

\*Larger quantity price breaks available

E-F-210320 - White Nylon Luer, 5/32" (4.0mm) ID Tube to Male Luer Lock

Technical Data

**Connection 1:** Male Luer Lock  
**Connection 2:** 5/32" (4.0mm) ID Tube  
**Mounting Style:** In-line  
**Wetted Materials:** White Nylon  
**Non-wetted Materials:** White Nylon  
**RoHS/REACH Compliant:** Yes  
**Cleanroom Manufactured:** Class 8 (100,000) cleanroom  
**Regulatory Information:** Meets Requirements for FDA 21 CFR 177.1500, California Prop. 65  
**Other Technical Data:** A White Nylon luer with barb for 5/32" (4.0mm) ID tube to male luer lock. Phthalate Free. Latex Free. DEHP Free. Compatible with EtO (Ethylene Oxide) sterilisation and can withstand gamma sterilisation to 50kGy.



Price starting from: £0.39

\*Larger quantity price breaks available

More from this range



1/8" Clear ABS  
E-F-170579



1/8" Animal Free Polypropylene  
E-F-160083



1/8" Clear Polycarbonate  
E-F-160021



1/8" Kynar  
E-F-160085

More from this range



5/32" Clear ABS  
E-F-170581



5/32" Animal Free Polypropylene  
E-F-160087

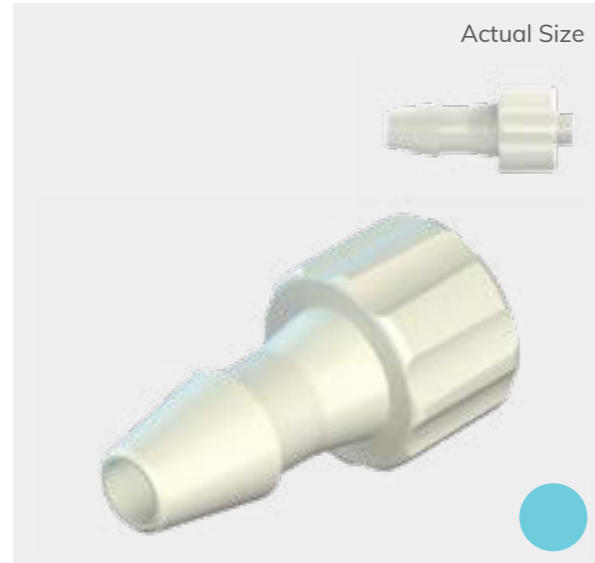


5/32" Clear Polycarbonate  
E-F-160088



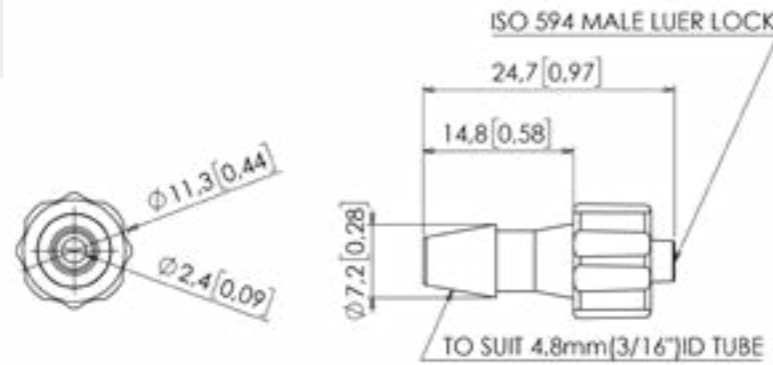
5/32" Kynar  
E-F-160090

E-F-210252 - White Nylon Luer, 3/16" (4.8mm) ID Tube to Male Luer Lock



Technical Data

**Connection 1:** Male Luer Lock  
**Connection 2:** 3/16" (4.8mm) ID Tube  
**Mounting Style:** In-line  
**Wetted Materials:** White Nylon  
**Non-wetted Materials:** White Nylon  
**RoHS/REACH Compliant:** Yes  
**Cleanroom Manufactured:** Class 8 (100,000) cleanroom  
**Regulatory Information:** Meets Requirements for FDA 21 CFR 177.1500, California Prop. 65  
**Other Technical Data:** A White Nylon luer with barb for 3/16" (4.8mm) ID tube to male luer lock. Phthalate Free. Latex Free. DEHP Free. Ozone depleting substances compliant. Compatible with EtO (Ethylene Oxide) sterilisation and can withstand gamma sterilisation to 50kGy.



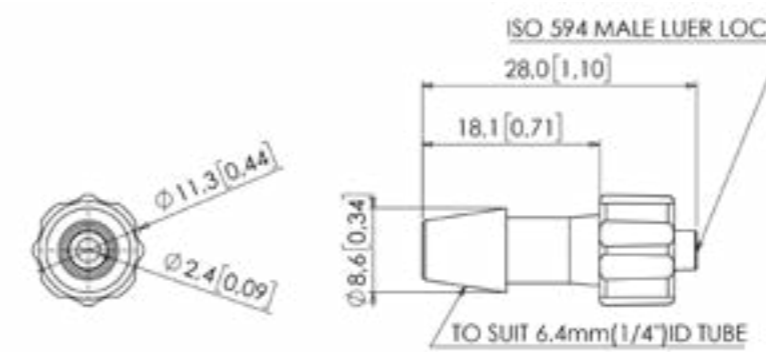
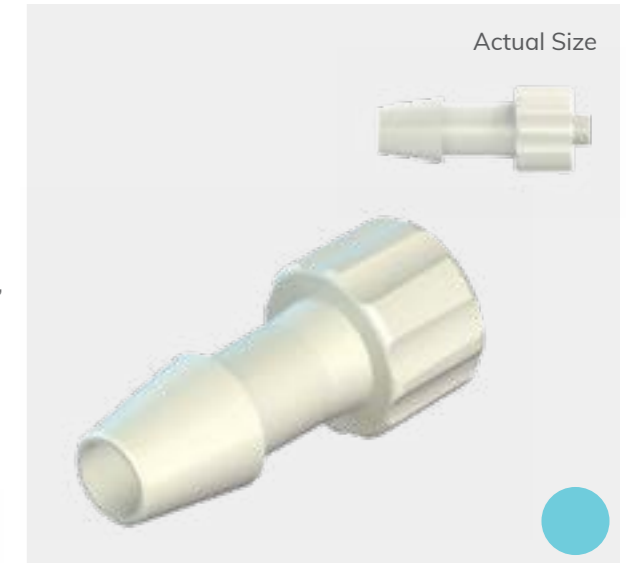
Price starting from: £0.39

\*Larger quantity price breaks available

E-F-210248 - White Nylon Luer, 1/4" (6.4mm) ID Tube to Male Luer Lock

Technical Data

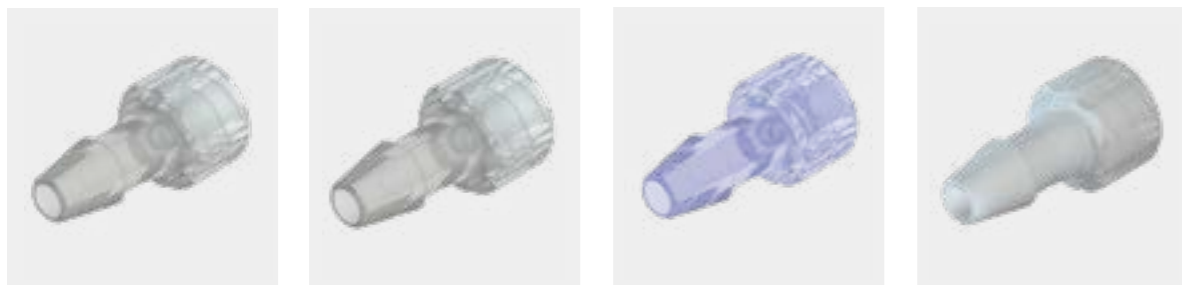
**Connection 1:** Male Luer Lock  
**Connection 2:** 1/4" (6.4mm) ID Tube  
**Mounting Style:** In-line  
**Wetted Materials:** White Nylon  
**Non-wetted Materials:** White Nylon  
**RoHS/REACH Compliant:** Yes  
**Cleanroom Manufactured:** Class 8 (100,000) cleanroom  
**Regulatory Information:** Meets Requirements for FDA 21 CFR 177.1500, California Prop. 65  
**Other Technical Data:** A White Nylon luer with barb for 1/4" (6.4mm) ID tube to male luer lock. Phthalate Free. Latex Free. DEHP Free. Ozone depleting substances compliant. Compatible with EtO (Ethylene Oxide) sterilisation and can withstand gamma sterilisation to 50kGy.



Price starting from: £0.39

\*Larger quantity price breaks available

More from this range



3/16" Animal Free Polypropylene E-F-160092

3/16" Clear Polycarbonate E-F-160093

3/16" Rad. Stable Polycarbonate E-F-160094

3/16" Kynar E-F-160095

More from this range



1/4" Animal Free Polypropylene E-F-160097

1/4" Clear Polycarbonate E-F-160098

1/4" Rad. Stable Polycarbonate E-F-160099

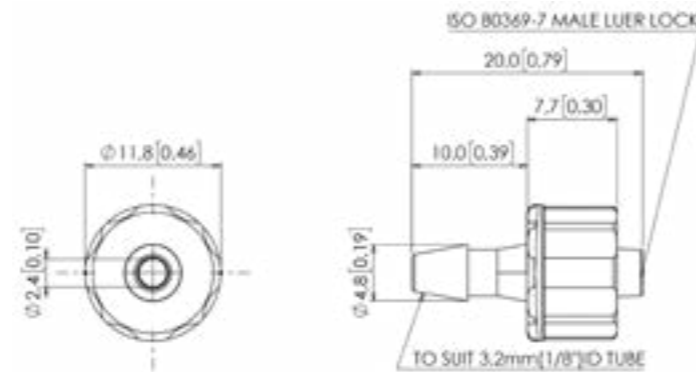
1/4" Kynar E-F-160100

E-F-190021 - ISO 80369-7 Clear ABS Luer, 1/8" (3.2mm) ID Tube to Male Luer Lock



Technical Data

**Connection 1:** Male Luer Lock  
**Connection 2:** 1/8" (3.2mm) ID Tube  
**Mounting Style:** In-line  
**Wetted Materials:** Clear ABS  
**Non-wetted Materials:** Clear ABS  
**RoHS/REACH Compliant:** Yes  
**Cleanroom Manufactured:** Class 8 (100,000) cleanroom  
**Regulatory Information:** Meets Requirements for USP Class VI, FDA 21 CFR 181.32, California Prop. 65  
**Other Technical Data:** A Clear ABS luer with barb for 1/8" (3.2mm) ID tube to ISO 80369-7 male luer lock. Conflict Mineral Compliant. DEHP Free. Animal Derivative Free. Human Derivative Free. BPA Free. Phthalate Free. Latex Free. Compatible with EtO (Ethylene Oxide) sterilisation methods.

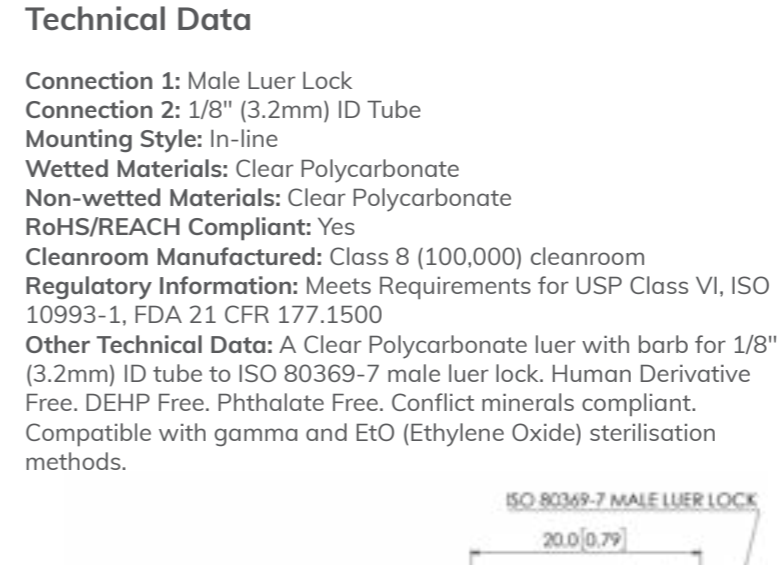


Price starting from: £0.33

\*Larger quantity price breaks available

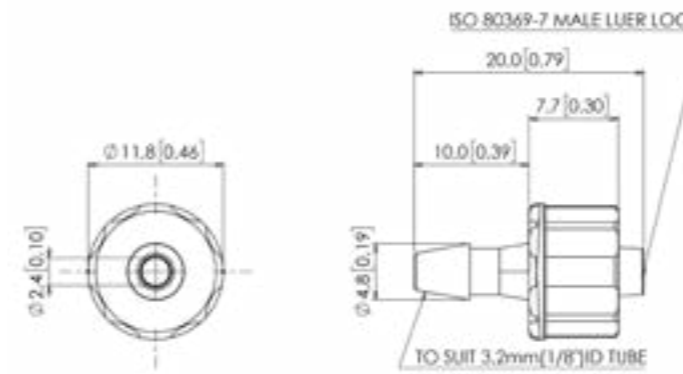


E-F-190009 - ISO 80369-7 Clear Polycarbonate Luer, 1/8" (3.2mm) ID Tube to Male Luer Lock



Technical Data

**Connection 1:** Male Luer Lock  
**Connection 2:** 1/8" (3.2mm) ID Tube  
**Mounting Style:** In-line  
**Wetted Materials:** Clear Polycarbonate  
**Non-wetted Materials:** Clear Polycarbonate  
**RoHS/REACH Compliant:** Yes  
**Cleanroom Manufactured:** Class 8 (100,000) cleanroom  
**Regulatory Information:** Meets Requirements for USP Class VI, ISO 10993-1, FDA 21 CFR 177.1500  
**Other Technical Data:** A Clear Polycarbonate luer with barb for 1/8" (3.2mm) ID tube to ISO 80369-7 male luer lock. Human Derivative Free. DEHP Free. Phthalate Free. Conflict minerals compliant. Compatible with gamma and EtO (Ethylene Oxide) sterilisation methods.



Price starting from: £0.53

\*Larger quantity price breaks available



More from this range



1/16"  
Clear ABS  
E-F-190019



3/32"  
Clear ABS  
E-F-190020



5/32"  
Clear ABS  
E-F-190022



3/16"  
Clear ABS  
E-F-190023



1/4"  
Clear ABS  
E-F-190024

More from this range



1/16"  
Clear Polycarbonate  
E-F-190007



3/32"  
Clear Polycarbonate  
E-F-190008



5/32"  
Clear Polycarbonate  
E-F-190010



3/16"  
Clear Polycarbonate  
E-F-190011



1/4"  
Clear Polycarbonate  
E-F-190012

## Male Luers - ISO 80369-7

### E-F-180204 - ISO 80369-7 Clear Acrylic Luer, .100"/.090" Bond-in Port to Male Luer Lock

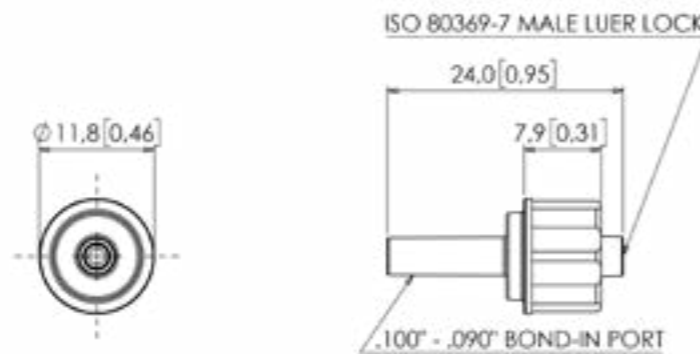


#### Technical Data

**Connection 1:** Male Luer Lock  
**Connection 2:** .100"/.090" Bond-In Port  
**Mounting Style:** In-line  
**Wetted Materials:** Clear Acrylic  
**Non-wetted Materials:** Clear Acrylic  
**RoHS/REACH Compliant:** Yes  
**Cleanroom Manufactured:** Class 8 (100,000) cleanroom  
**Regulatory Information:** Meets Requirements for USP Class VI, ISO 10993  
**Other Technical Data:** A Clear Acrylic luer with .100"/.090" bond-in port to ISO 80369-7 male luer lock. The ISO 80369-7 series of standards aims to minimise misconnections between small bore connectors of different functional categories.

Price starting from: £0.25

\*Larger quantity price breaks available

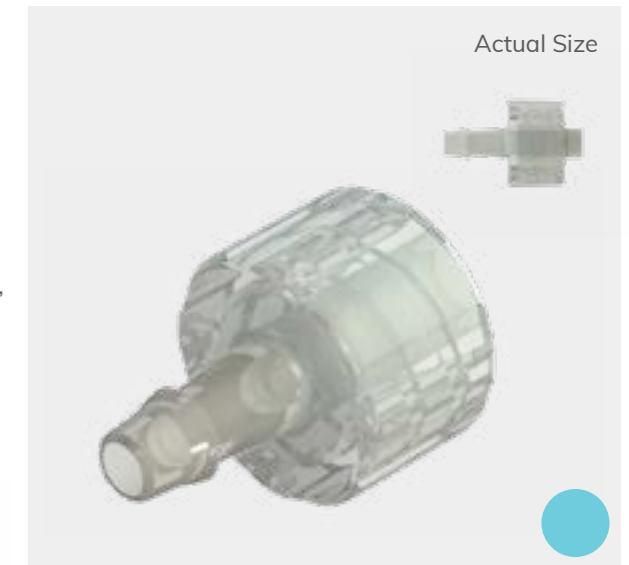


## Male Luers - High Flow

### E-F-180005 - Natural Nylon High Flow Barb Luer, 1/8" (3.2mm) ID Tube to Male Luer Lock

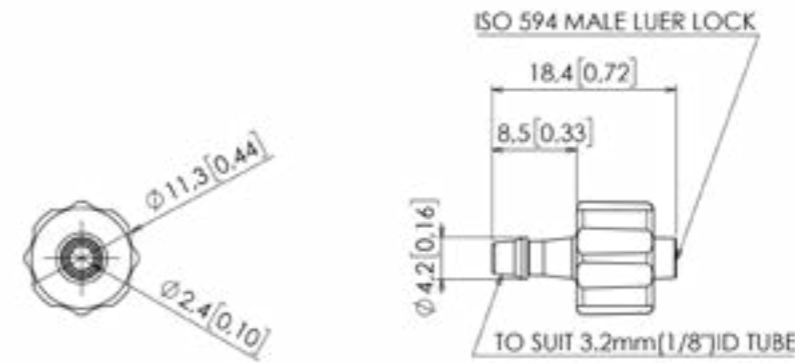
#### Technical Data

**Connection 1:** Male Luer Lock  
**Connection 2:** 1/8" (3.2mm) ID Tube  
**Mounting Style:** In-line  
**Wetted Materials:** Natural Nylon  
**Non-wetted Materials:** Natural Nylon  
**RoHS/REACH Compliant:** Yes  
**Cleanroom Manufactured:** Class 8 (100,000) cleanroom  
**Regulatory Information:** Meets Requirements for FDA 21 CFR 177.1500, California Prop. 65  
**Other Technical Data:** A Natural Nylon luer with high flow barb for 1/8" (3.2mm) ID tube to male luer lock. Phthalate Free. BPA Free. DEHP Free. Ozone depleting substances compliant. Compatible with EtO (Ethylene Oxide) sterilisation and can withstand gamma sterilisation to 50kGy.



Price starting from: £0.35

\*Larger quantity price breaks available



#### More from this range



.115/.105  
Clear Acrylic  
E-F-180205



.134/.123  
Clear Acrylic  
E-F-180206



.192/.182  
Clear Acrylic  
E-F-180022

#### More from this range



1/8" Animal Free  
Polypropylene  
E-F-160103



1/8" Clear  
Polycarbonate  
E-F-160104



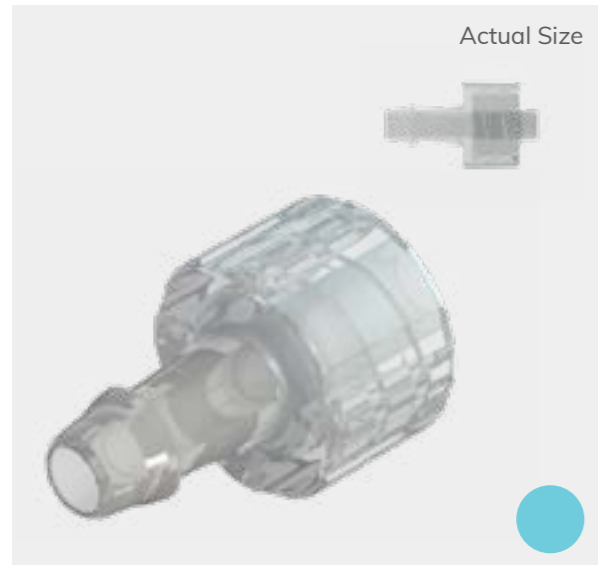
1/8" Rad. Stable  
Polycarbonate  
E-F-160105



1/8"  
Kynar  
E-F-160106

## Male Luers - High Flow

### E-F-180208 - Animal Free Polypropylene High Flow Barb Luer, 5/32" (4.0mm) ID Tube to Male Luer Lock

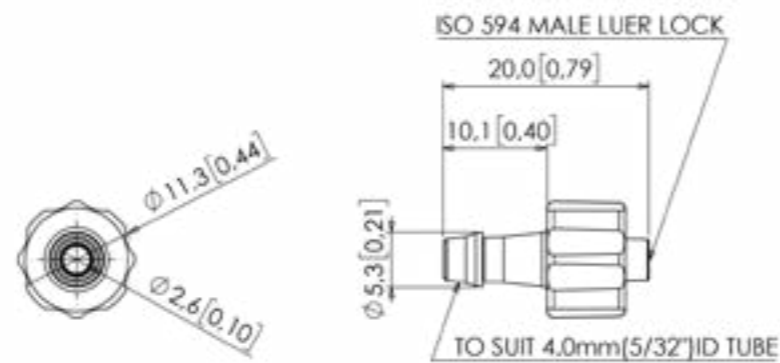


#### Technical Data

**Connection 1:** Male Luer Lock  
**Connection 2:** 5/32" (4.0mm) ID Tube  
**Mounting Style:** In-line  
**Wetted Materials:** Animal Free Polypropylene  
**Non-wetted Materials:** Animal Free Polypropylene  
**RoHS/REACH Compliant:** Yes  
**Cleanroom Manufactured:** Class 8 (100,000) cleanroom  
**Regulatory Information:** Meets Requirements for USP Class VI, FDA 21 CFR 177.1500, ISO 10993-5, California Prop. 65  
**Other Technical Data:** An Animal Free Polypropylene Luer with high flow barb for 5/32" (4.0mm) ID tube to male luer lock. Internal of the part has a larger luer core pin which is designed for higher flow and vacuum rates than the standard.

Price starting from: £0.51

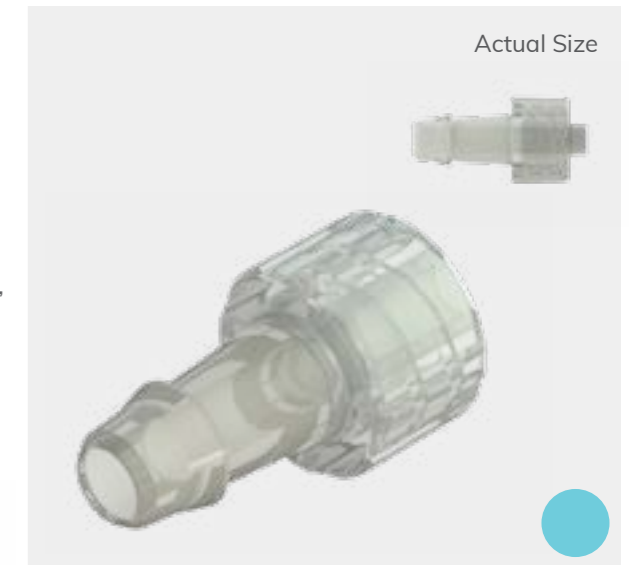
\*Larger quantity price breaks available



### E-F-180212 - Natural Nylon High Flow Barb Luer, 3/16" (4.8mm) ID Tube to Male Luer Lock

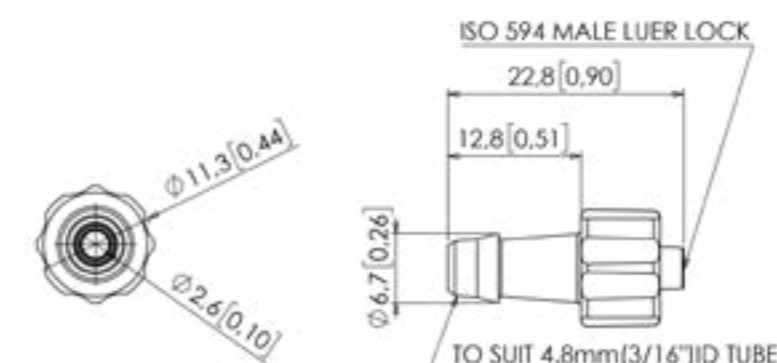
#### Technical Data

**Connection 1:** Male Luer Lock  
**Connection 2:** 3/16" (4.8mm) ID Tube  
**Mounting Style:** In-line  
**Wetted Materials:** Natural Nylon  
**Non-wetted Materials:** Natural Nylon  
**RoHS/REACH Compliant:** Yes  
**Cleanroom Manufactured:** Class 8 (100,000) cleanroom  
**Regulatory Information:** Meets Requirements for FDA 21 CFR 177.1500, California Prop. 65  
**Other Technical Data:** A Natural Nylon luer with high flow barb for 3/16" (4.8mm) ID tube to male luer lock. Internal of the part has a larger luer core pin which is designed for higher flow and vacuum rates than the standard.



Price starting from: £0.39

\*Larger quantity price breaks available



#### More from this range



5/32" Clear Polycarbonate  
E-F-180209



5/32" Rad. Stable Polycarbonate  
E-F-180210



5/32" Kynar  
E-F-180211

#### More from this range



3/16" Animal Free Polypropylene  
E-F-180213



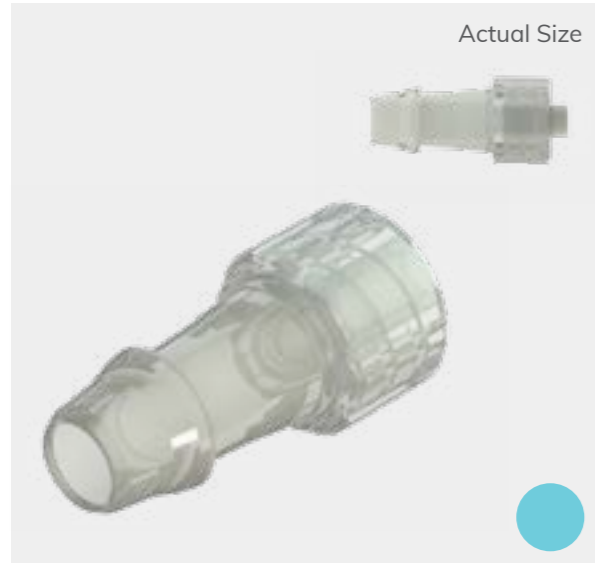
3/16" Rad. Stable Polycarbonate  
E-F-170591



3/16" Kynar  
E-F-180215

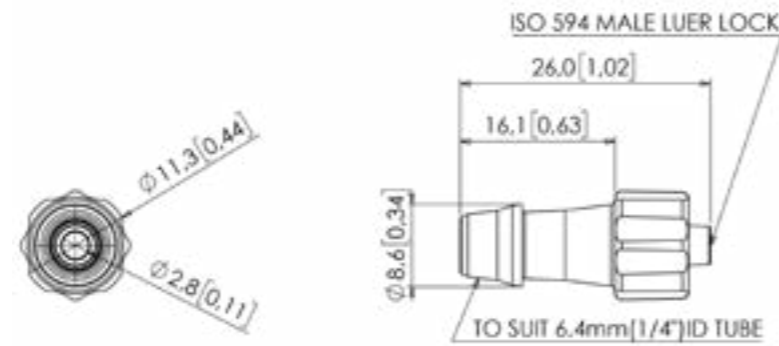
## Male Luers - High Flow

### E-F-180216 - Natural Nylon High Flow Barb Luer, 1/4" (6.4mm) ID Tube to Male Luer Lock



#### Technical Data

**Connection 1:** Male Luer Lock  
**Connection 2:** 1/4" (6.4mm) ID Tube  
**Mounting Style:** In-line  
**Wetted Materials:** Natural Nylon  
**Non-wetted Materials:** Natural Nylon  
**RoHS/REACH Compliant:** Yes  
**Cleanroom Manufactured:** Class 8 (100,000) cleanroom  
**Regulatory Information:** Meets Requirements for FDA 21 CFR 177.1500, California Prop. 65  
**Other Technical Data:** A Natural Nylon luer with high flow barb for 1/4" (6.4mm) ID tube to male luer lock. Internal of the part has a larger luer core pin which is designed for higher flow and vacuum rates than the standard.



Price starting from: £0.39

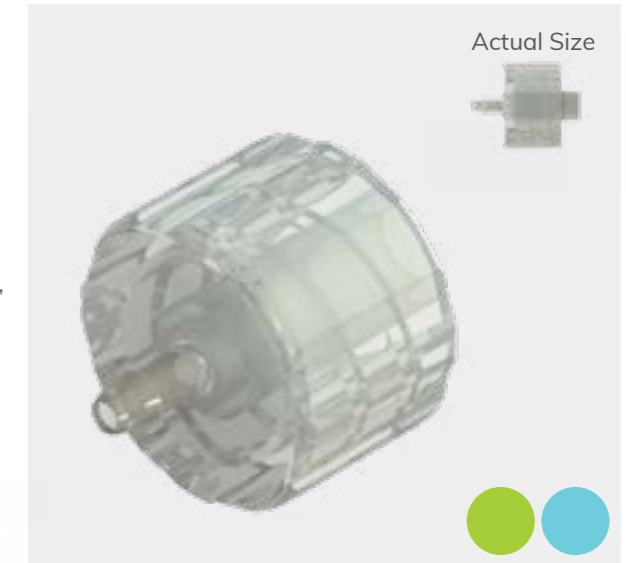
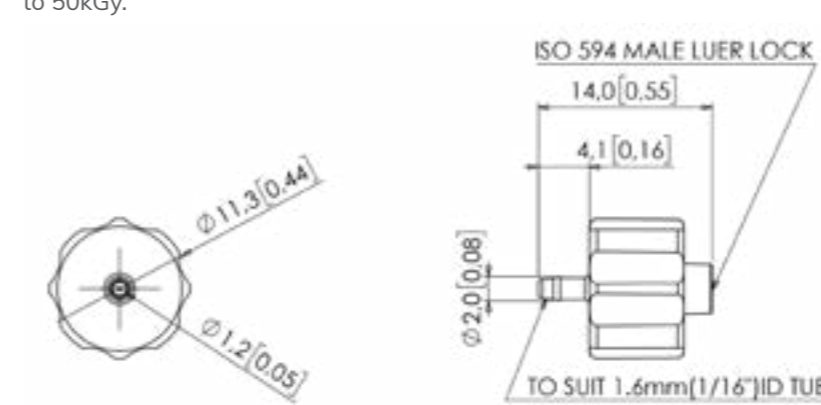
\*Larger quantity price breaks available

## Male Luers - Rigid

### E-F-180221 - Natural Nylon Rigid Barb Luer, 1/16" (1.6mm) ID Tube to Male Luer Lock

#### Technical Data

**Connection 1:** Male Luer Lock  
**Connection 2:** 1/16" (1.6mm) ID Tube  
**Mounting Style:** In-line  
**Wetted Materials:** Natural Nylon  
**Non-wetted Materials:** Natural Nylon  
**RoHS/REACH Compliant:** Yes  
**Cleanroom Manufactured:** Class 8 (100,000) cleanroom  
**Regulatory Information:** Meets Requirements for FDA 21 CFR 177.1500, California Prop. 65  
**Other Technical Data:** A Natural Nylon luer with rigid barb for 1/16" (1.6mm) ID tube to male luer lock. Phthalate Free. BPA Free. DEHP Free. Ozone depleting substances compliant. Compatible with EtO (Ethylene Oxide) sterilisation and can withstand gamma sterilisation to 50kGy.



Price starting from: £0.40

\*Larger quantity price breaks available

#### More from this range



1/4" Animal Free Polypropylene  
E-F-180115



1/4" Rad. Stable Polycarbonate  
E-F-180218



1/4" Kynar  
E-F-180219

#### More from this range



1/16" Animal Free Polypropylene  
E-F-180223



1/16" Clear Polycarbonate  
E-F-180222



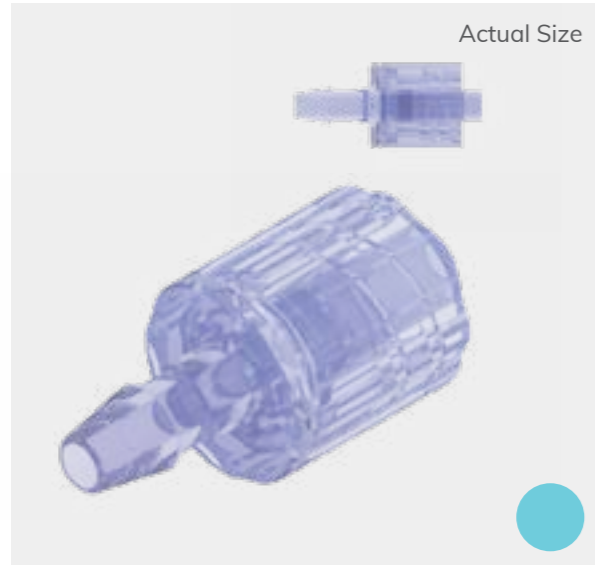
1/16" Rad. Stable Polycarbonate  
E-F-180224



1/16" Kynar  
E-F-180220

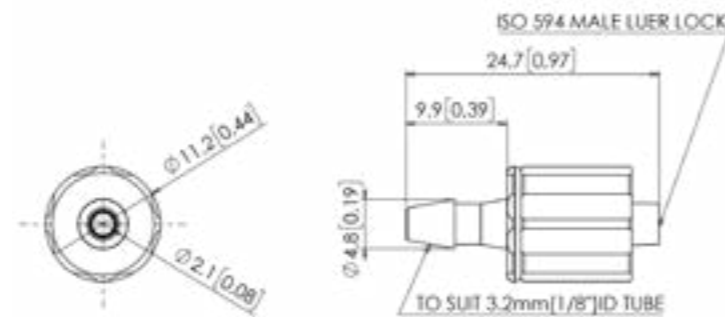
## Male Luers - Rotating with Snap Ring

### E-F-160143 - Lipid Resistant Rad. Stable Polycarbonate Rotating Luer With Snap Ring, 1/8" (3.2mm) ID Tube to Male Luer Lock



#### Technical Data

**Connection 1:** Male Luer Lock  
**Connection 2:** 1/8" (3.2mm) ID Tube  
**Mounting Style:** In-line  
**Wetted Materials:** Lipid Resistant Rad. Stable Polycarbonate  
**Non-wetted Materials:** Lipid Resistant Rad. Stable Polycarbonate  
**RoHS/REACH Compliant:** Yes  
**Cleanroom Manufactured:** Class 8 (100,000) cleanroom  
**Regulatory Information:** Meets Requirements for USP Class VI, ISO 10993  
**Other Technical Data:** A Lipid Resistant Rad. Stable Polycarbonate luer with 1/8" (3.2mm) ID tube to male luer lock complete with snap ring. Animal Derivative Free. Human Derivative Free. DEHP Free. Phthalate Free.



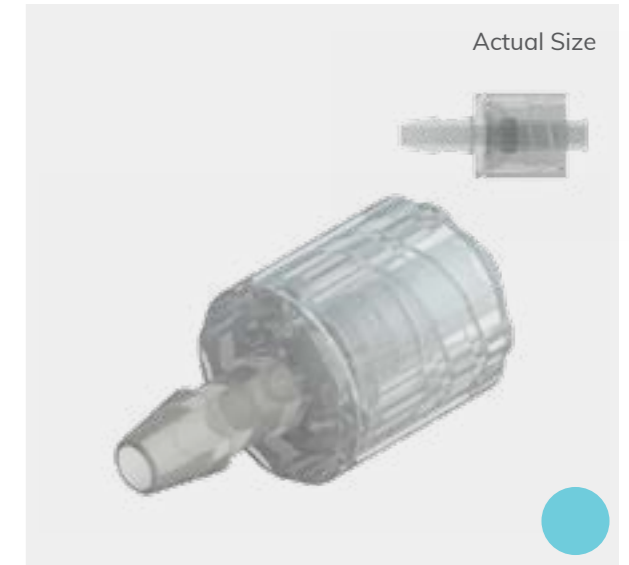
Price starting from: £0.76

\*Larger quantity price breaks available

### E-F-160142 - Clear ABS Rotating Luer With Snap Ring, 1/8" (3.2mm) ID Tube to Male Luer Lock

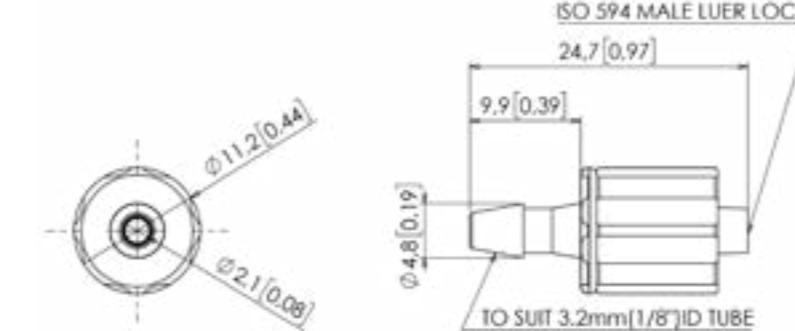
#### Technical Data

**Connection 1:** Male Luer Lock  
**Connection 2:** 1/8" (3.2mm) ID Tube  
**Mounting Style:** In-line  
**Wetted Materials:** Clear ABS  
**Non-wetted Materials:** Clear ABS  
**RoHS/REACH Compliant:** Yes  
**Cleanroom Manufactured:** Class 8 (100,000) cleanroom  
**Regulatory Information:** Meets Requirements for USP Class VI, FDA 21 CFR 181.32. California Prop. 65  
**Other Technical Data:** A Clear ABS luer with barb for 1/8" (3.2mm) ID tube to male luer lock complete with snap ring. Conflict Mineral Compliant. DEHP Free. Animal Derivative Free. Human Derivative Free. BPA Free. Phthalate Free. Latex Free.



Price starting from: £0.67

\*Larger quantity price breaks available



#### More from this range



1/32" - Rad. Stable Polycarbonate  
E-F-160137



1/16" - Rad. Stable Polycarbonate  
E-F-160139



3/32" - Rad. Stable Polycarbonate  
E-F-160141



5/32" - Rad. Stable Polycarbonate  
E-F-160145



3/16" - Rad. Stable Polycarbonate  
E-F-160147



1/4" - Rad. Stable Polycarbonate  
E-F-160149

#### More from this range



1/16" Clear ABS With Ring  
E-F-160138



3/32" Clear ABS With Ring  
E-F-160140



5/32" Clear ABS With Ring  
E-F-160144



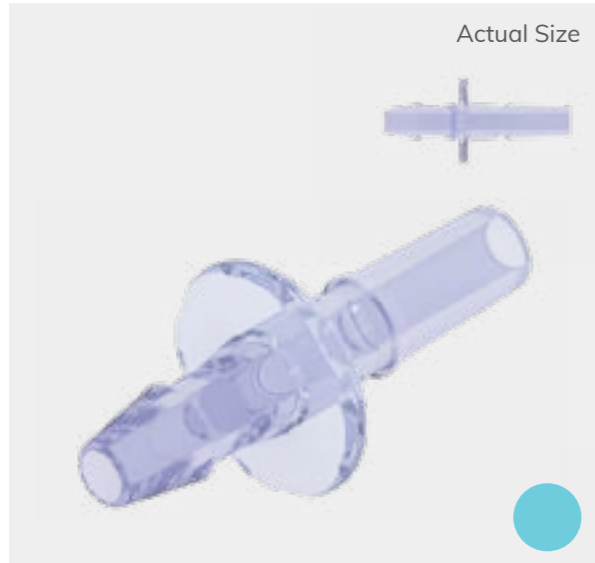
3/16" Clear ABS With Ring  
E-F-160146



1/4" Clear ABS With Ring  
E-F-160148

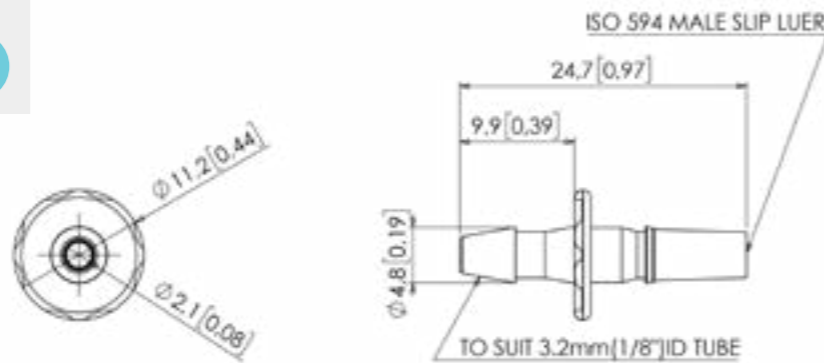
## Male Luers - Rotating

### E-F-160121 - Lipid Resistant Rad. Stable Polycarbonate Rotating Luer, 1/8" (3.2mm) ID Tube to Male Slip Luer



#### Technical Data

**Connection 1:** Male Slip Luer  
**Connection 2:** 1/8" (3.2mm) ID Tube  
**Mounting Style:** In-line  
**Wetted Materials:** Lipid Resistant Rad. Stable Polycarbonate  
**Non-wetted Materials:** Lipid Resistant Rad. Stable Polycarbonate  
**RoHS/REACH Compliant:** Yes  
**Cleanroom Manufactured:** Class 8 (100,000) cleanroom  
**Regulatory Information:** Meets Requirements for USP Class VI, ISO 10993  
**Other Technical Data:** A Lipid Resistant Rad. Stable Polycarbonate luer with barb for 1/8" (3.2mm) ID tube to male slip luer. Animal Derivative Free. Human Derivative Free. DEHP Free. Phthalate Free.



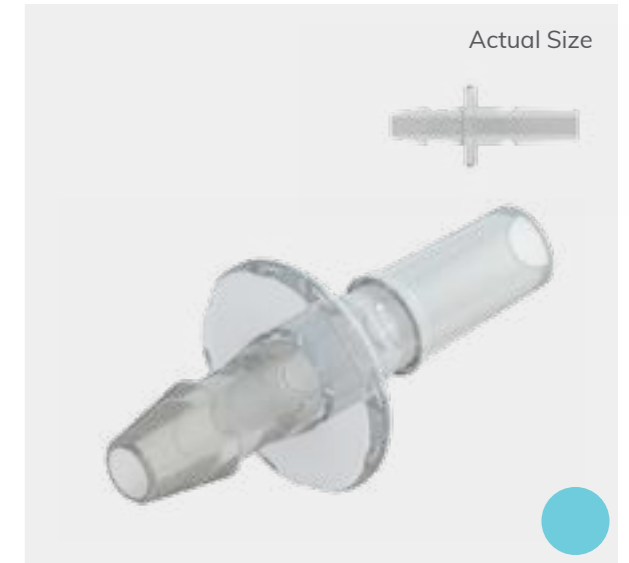
Price starting from: £0.37

\*Larger quantity price breaks available

### E-F-160120 - Clear ABS Rotating Luer, 1/8" (3.2mm) ID Tube to Male Slip Luer

#### Technical Data

**Connection 1:** Male Slip Luer  
**Connection 2:** 1/8" (3.2mm) ID Tube  
**Mounting Style:** In-line  
**Wetted Materials:** Clear ABS  
**Non-wetted Materials:** Clear ABS  
**RoHS/REACH Compliant:** Yes  
**Cleanroom Manufactured:** Class 8 (100,000) cleanroom  
**Regulatory Information:** Meets Requirements for USP Class VI, FDA 21 CFR 181.32. California Prop. 65  
**Other Technical Data:** A Clear ABS luer with barb for 1/8" (3.2mm) ID tube to male slip luer. Conflict Mineral Compliant. DEHP Free. Animal Derivative Free. Human Derivative Free. BPA Free. Phthalate Free. Latex Free.



Price starting from: £0.36

\*Larger quantity price breaks available



#### More from this range



1/32" - Rad. Stable Polycarbonate  
E-F-160115



1/16" - Rad. Stable Polycarbonate  
E-F-160117



3/32" - Rad. Stable Polycarbonate  
E-F-160119



5/32" - Rad. Stable Polycarbonate  
E-F-160123



3/16" - Rad. Stable Polycarbonate  
E-F-160125



1/4" - Rad. Stable Polycarbonate  
E-F-160127

#### More from this range



1/16" Clear ABS  
E-F-160116



3/32" Clear ABS  
E-F-160118



5/32" Clear ABS  
E-F-160122



3/16" Clear ABS  
E-F-160124

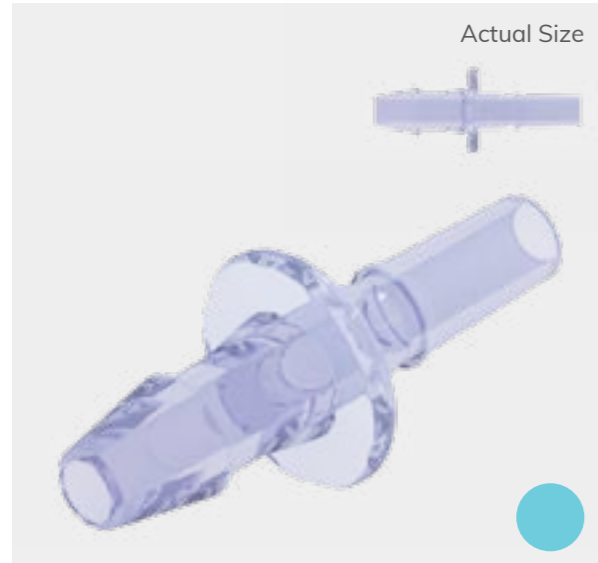


1/4" Clear ABS  
E-F-160126



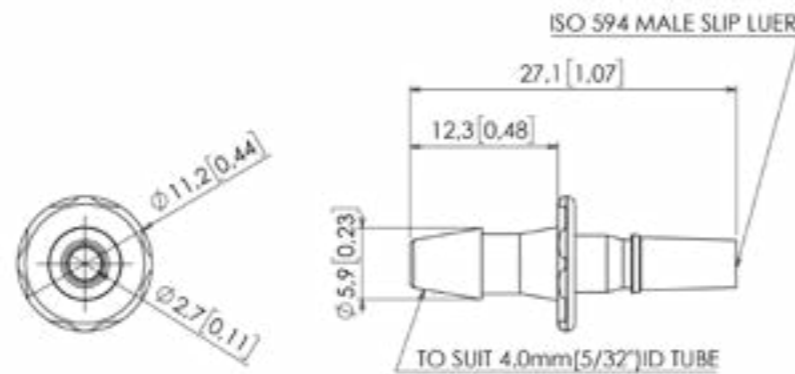
## Male Luers - Rotating High Flow

### E-F-180236 - Rotating Male Luer to 5/32" Barb, High Flow - Lipid Resistant Rad. Stable Polycarbonate



#### Technical Data

**Connection 1:** Male Slip Luer  
**Connection 2:** 5/32" (4.0mm) ID Tube  
**Mounting Style:** In-line  
**Wetted Materials:** Lipid Resistant Rad. Stable Polycarbonate  
**Non-wetted Materials:** Lipid Resistant Rad. Stable Polycarbonate  
**RoHS/REACH Compliant:** Yes  
**Cleanroom Manufactured:** Class 8 (100,000) cleanroom  
**Regulatory Information:** Meets Requirements for USP Class VI, ISO 10993  
**Other Technical Data:** A Lipid Resistant Rad. Stable Polycarbonate luer with 5/32" (4.0mm) ID tube to male luer lock complete with snap ring. Animal Derivative Free. Human Derivative Free. DEHP Free. Phthalate Free.



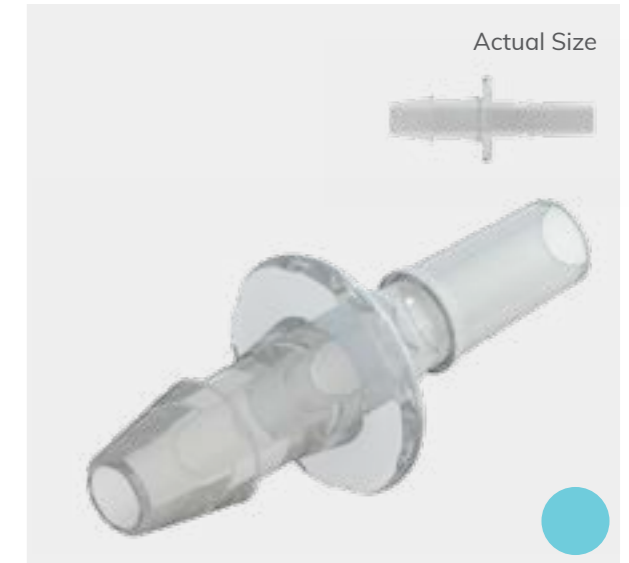
Price starting from: £0.42

\*Larger quantity price breaks available

### E-F-180235 - Clear ABS High Flow Barb Rotating Luer, 5/32" (4.0mm) ID Tube to Male Slip Luer

#### Technical Data

**Connection 1:** Male Slip Luer  
**Connection 2:** 5/32" (4.0mm) ID Tube  
**Mounting Style:** In-line  
**Wetted Materials:** Clear ABS  
**Non-wetted Materials:** Clear ABS  
**RoHS/REACH Compliant:** Yes  
**Cleanroom Manufactured:** Class 8 (100,000) cleanroom  
**Regulatory Information:** Meets Requirements for USP Class VI, FDA 21 CFR 181.32. California Prop. 65  
**Other Technical Data:** A Clear ABS luer with high flow barb for 5/32" (4.0mm) ID tube to male slip luer. Internal of the part has a larger luer core pin which is designed for higher flow and vacuum rates than the standard.



Price starting from: £0.39

\*Larger quantity price breaks available

#### More from this range



3/16" - Rad. Stable Polycarbonate  
E-F-180238



1/4" - Rad. Stable Polycarbonate  
E-F-180240

#### More from this range



3/16" Clear ABS  
E-F-180237



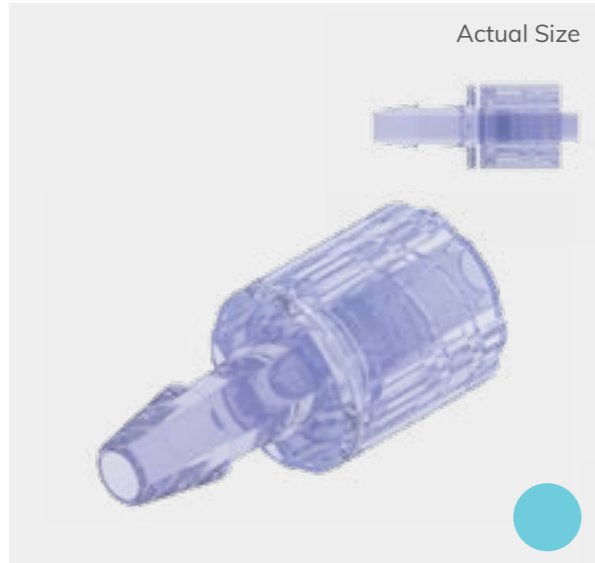
1/4" Clear ABS  
E-F-180239

See page 194  
for Snap Rings



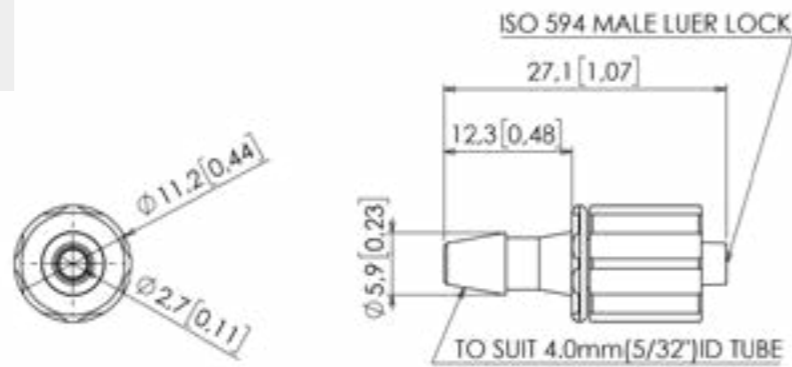
## Male Luers - Rotating High Flow with Snap Ring

### E-F-180230 - Lipid Resistant Rad. Stable Polycarbonate High Flow Barb Rotating Luer with Snap Ring, 5/32" (4.0mm) ID Tube to Male Luer Lock



#### Technical Data

**Connection 1:** Male Luer Lock  
**Connection 2:** 5/32" (4.0mm) ID Tube  
**Mounting Style:** In-line  
**Wetted Materials:** Lipid Resistant Rad. Stable Polycarbonate  
**Non-wetted Materials:** Lipid Resistant Rad. Stable Polycarbonate  
**RoHS/REACH Compliant:** Yes  
**Cleanroom Manufactured:** Class 8 (100,000) cleanroom  
**Regulatory Information:** Meets Requirements for USP Class VI, ISO 10993  
**Other Technical Data:** A Lipid Resistant Rad. Stable Polycarbonate luer with high flow barb for 5/32" (4.0mm) ID tube to male luer lock complete with snap ring. Internal of the part has a larger luer core pin which is designed for higher flow and vacuum rates than the standard.



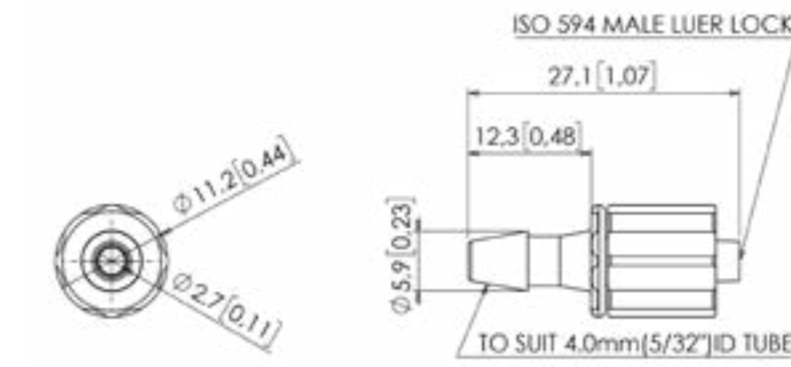
Price starting from: £0.81

\*Larger quantity price breaks available

### E-F-180229 - Clear ABS High Flow Barb Rotating Luer With Snap Ring, 5/32" (4.0mm) ID Tube to Male Luer Lock

#### Technical Data

**Connection 1:** Male Luer Lock  
**Connection 2:** 5/32" (4.0mm) ID Tube  
**Mounting Style:** In-line  
**Wetted Materials:** Clear ABS  
**Non-wetted Materials:** Clear ABS  
**RoHS/REACH Compliant:** Yes  
**Cleanroom Manufactured:** Class 8 (100,000) cleanroom  
**Regulatory Information:** Meets Requirements for USP Class VI, FDA 21 CFR 181.32, California Prop. 65  
**Other Technical Data:** A Clear ABS luer with high flow barb for 5/32" (4.0mm) ID tube to male luer lock complete with snap ring. Internal of the part has a larger luer core pin which is designed for higher flow and vacuum rates than the standard.



Price starting from: £0.67

\*Larger quantity price breaks available

#### More from this range



3/16" - Rad. Stable Polycarbonate  
E-F-180232



1/4" - Rad. Stable Polycarbonate  
E-F-180234

#### More from this range



3/16" Clear ABS  
E-F-180231



1/4" Clear ABS  
E-F-180233

## Female Luers

### E-F-210225 - White Nylon Female Luer Lock to 1/16" (1.6mm) ID Tube

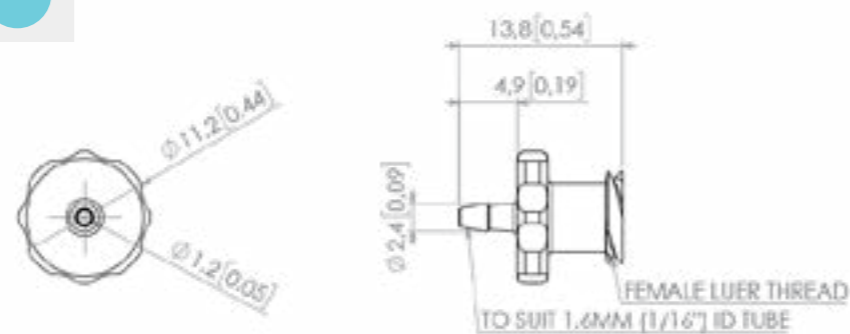


#### Technical Data

**Connection 1:** Female Luer Lock  
**Connection 2:** 1/16" (1.6mm) ID Tube  
**Mounting Style:** In-line  
**Wetted Materials:** White Nylon  
**Non-wetted Materials:** White Nylon  
**RoHS/REACH Compliant:** Yes  
**Cleanroom Manufactured:** Class 8 (100,000) cleanroom  
**Regulatory Information:** Meets Requirements for FDA 21 CFR 177.1500, California Prop. 65  
**Other Technical Data:** A White Nylon female luer lock to barb for 1/16" (1.6mm) ID tube. Phthalate Free. Latex Free. DEHP Free. Ozone depleting substances compliant. Compatible with EtO (Ethylene Oxide) sterilisation and can withstand gamma sterilisation to 50kGy.

Price starting from: £0.30

\*Larger quantity price breaks available



### E-F-210230 - White Nylon Female Luer Lock to 3/32" (2.4mm) ID Tube

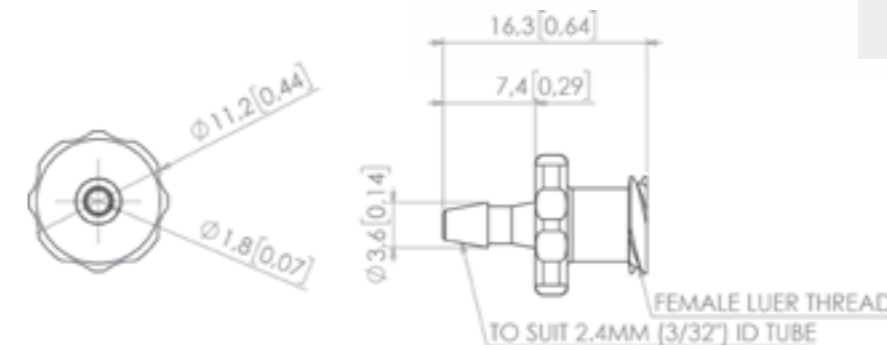
#### Technical Data

**Connection 1:** Female Luer Lock  
**Connection 2:** 3/32" (2.4mm) ID Tube  
**Mounting Style:** In-line  
**Wetted Materials:** White Nylon  
**Non-wetted Materials:** White Nylon  
**RoHS/REACH Compliant:** Yes  
**Cleanroom Manufactured:** Class 8 (100,000) cleanroom  
**Regulatory Information:** Meets Requirements for FDA 21 CFR 177.1500, California Prop. 65  
**Other Technical Data:** A White Nylon female luer lock to barb for 3/32" (2.4mm) ID tube. Phthalate Free. Latex Free. DEHP Free. Ozone depleting substances compliant. Compatible with EtO (Ethylene Oxide) sterilisation and can withstand gamma sterilisation to 50kGy.



Price starting from: £0.30

\*Larger quantity price breaks available



#### More from this range



1/16"  
Clear ABS  
E-F-180244



1/16" Animal Free  
Polypropylene  
E-F-160030



1/16" Clear  
Polycarbonate  
E-F-160031



1/16"  
Kynar  
E-F-160033

#### More from this range



3/32" Animal Free  
Polypropylene  
E-F-160035



3/32" Clear  
Polycarbonate  
E-F-160036



3/32" Rad. Stable  
Polycarbonate  
E-F-160037



3/32"  
Kynar  
E-F-160038

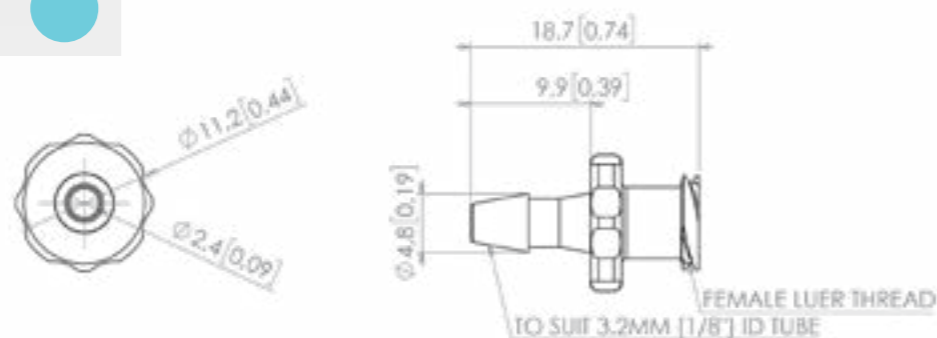
## Female Luers

### E-F-210227 - White Nylon Luer, Female Luer Lock to 1/8" (3.2mm) ID Tube



#### Technical Data

**Connection 1:** Female Luer Lock  
**Connection 2:** 1/8" (3.2mm) ID Tube  
**Mounting Style:** In-line  
**Wetted Materials:** White Nylon  
**Non-wetted Materials:** White Nylon  
**RoHS/REACH Compliant:** Yes  
**Cleanroom Manufactured:** Class 8 (100,000) cleanroom  
**Regulatory Information:** Meets Requirements for FDA 21 CFR 177.1500, California Prop. 65  
**Other Technical Data:** A White Nylon female luer lock to barb for 1/8" (3.2mm) ID tube. Phthalate Free. Latex Free. DEHP Free. Ozone depleting substances compliant. Compatible with EtO (Ethylene Oxide) sterilisation and can withstand gamma sterilisation to 50kGy.



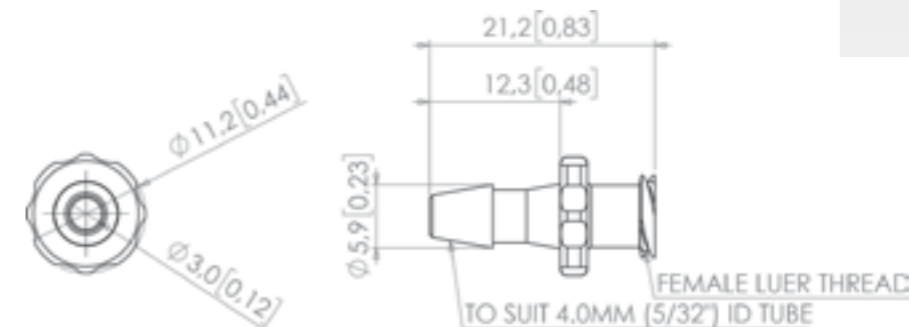
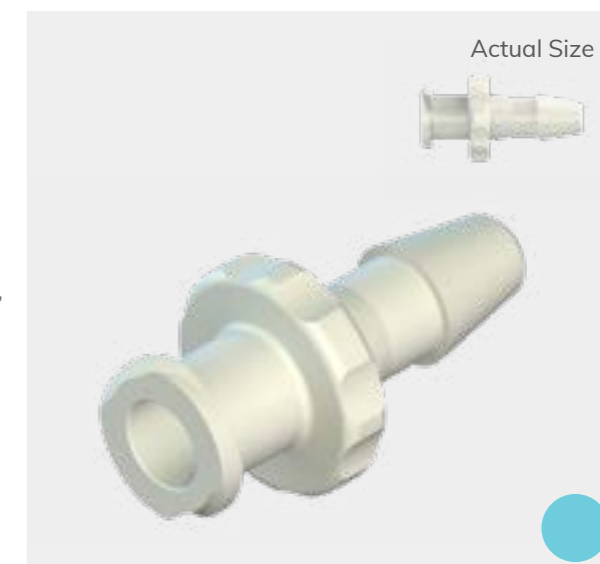
Price starting from: £0.30

\*Larger quantity price breaks available

### E-F-210233 - White Nylon Luer, Female Luer Lock to 5/32" (4.0mm) ID Tube

#### Technical Data

**Connection 1:** Female Luer Lock  
**Connection 2:** 5/32" (4.0mm) ID Tube  
**Mounting Style:** In-line  
**Wetted Materials:** White Nylon  
**Non-wetted Materials:** White Nylon  
**RoHS/REACH Compliant:** Yes  
**Cleanroom Manufactured:** Class 8 (100,000) cleanroom  
**Regulatory Information:** Meets Requirements for FDA 21 CFR 177.1500, California Prop. 65  
**Other Technical Data:** A White Nylon female luer lock to barb for 5/32" (4.0mm) ID tube. Phthalate Free. Latex Free. DEHP Free. Ozone depleting substances compliant. Compatible with EtO (Ethylene Oxide) sterilisation and can withstand gamma sterilisation to 50kGy.



Price starting from: £0.35

\*Larger quantity price breaks available

#### More from this range



1/8" Animal Free Polypropylene  
E-F-160040



1/8" Clear Polycarbonate  
E-F-160041



1/8" Rad. Stable Polycarbonate  
E-F-160042



1/8" Kynar  
E-F-160043

#### More from this range



5/32" Clear ABS  
E-F-170573



5/32" Animal Free Polypropylene  
E-F-160046



5/32" Clear Polycarbonate  
E-F-160047



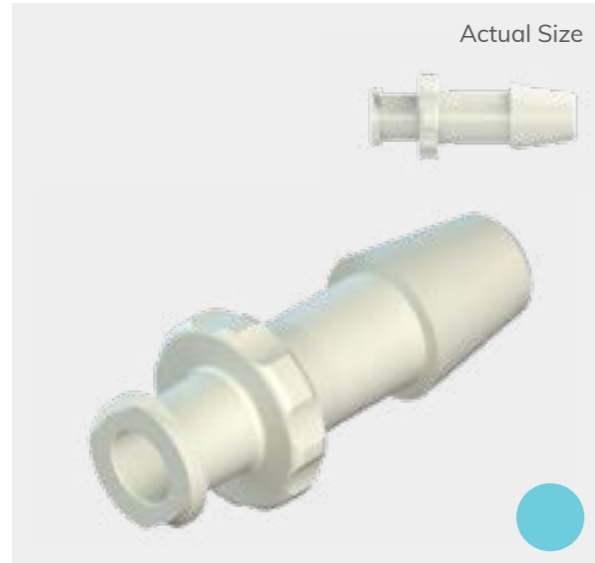
5/32" Rad. Stable Polycarbonate  
E-F-160048



5/32" Kynar  
E-F-160049

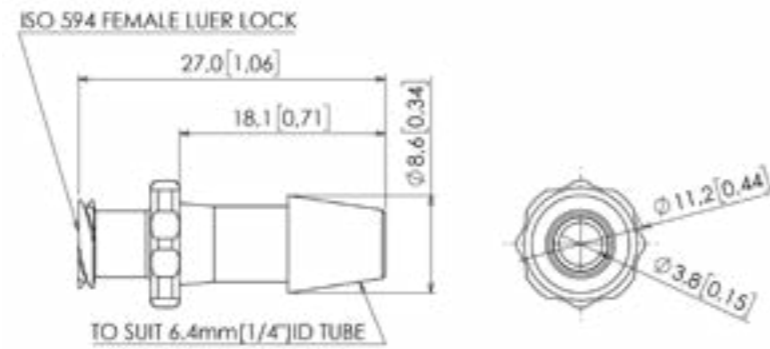
## Female Luers

### E-F-210226 - White Nylon Female Luer Lock to 1/4" (6.4mm) ID Tube



#### Technical Data

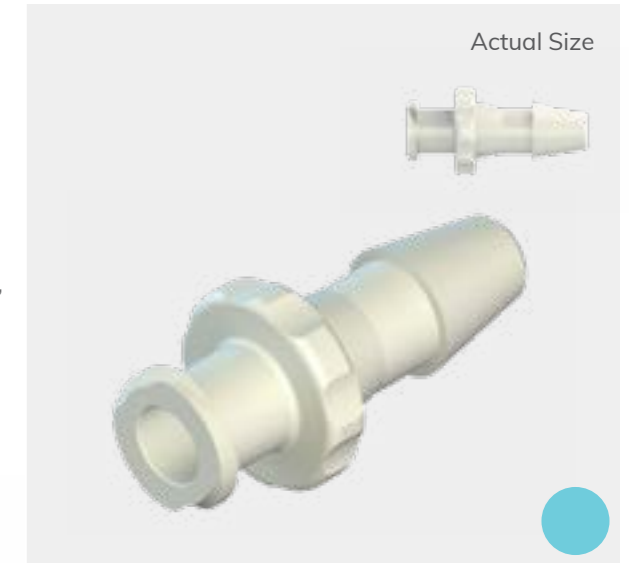
**Connection 1:** Female Luer Lock  
**Connection 2:** 1/4" (6.4mm) ID Tube  
**Mounting Style:** In-line  
**Wetted Materials:** White Nylon  
**Non-wetted Materials:** White Nylon  
**RoHS/REACH Compliant:** Yes  
**Cleanroom Manufactured:** Class 8 (100,000) cleanroom  
**Regulatory Information:** Meets Requirements for FDA 21 CFR 177.1500, California Prop. 65  
**Other Technical Data:** A White Nylon female luer lock to barb for 1/4" (6.4mm) ID tube. Phthalate Free. Latex Free. DEHP Free. Ozone depleting substances compliant. Compatible with EtO (Ethylene Oxide) sterilisation and can withstand gamma sterilisation to 50kGy.



Price starting from: £0.37

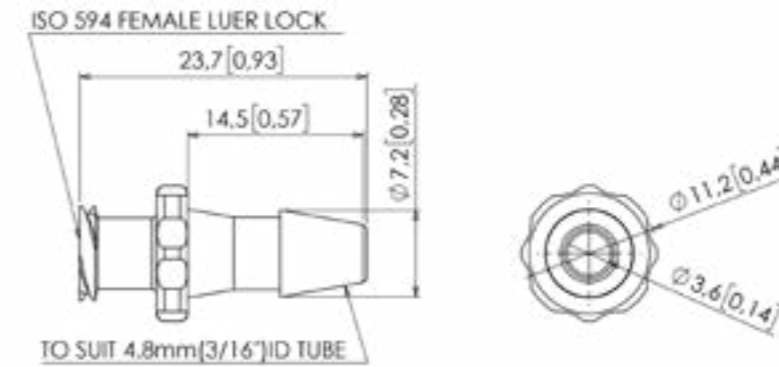
\*Larger quantity price breaks available

### E-F-210229 - White Nylon Female Luer Lock to 3/16" (4.8mm) ID Tube



#### Technical Data

**Connection 1:** Female Luer Lock  
**Connection 2:** 3/16" (4.8mm) ID Tube  
**Mounting Style:** In-line  
**Wetted Materials:** White Nylon  
**Non-wetted Materials:** White Nylon  
**RoHS/REACH Compliant:** Yes  
**Cleanroom Manufactured:** Class 8 (100,000) cleanroom  
**Regulatory Information:** Meets Requirements for FDA 21 CFR 177.1500, California Prop. 65  
**Other Technical Data:** A White Nylon female luer lock to barb for 3/16" (4.8mm) ID tube. Phthalate Free. Latex Free. DEHP Free. Ozone depleting substances compliant. Compatible with EtO (Ethylene Oxide) sterilisation and can withstand gamma sterilisation to 50kGy.



Price starting from: £0.37

\*Larger quantity price breaks available

#### More from this range



1/4"  
Clear ABS  
E-F-180247



1/4" Animal Free  
Polypropylene  
E-F-160056



1/4" Clear  
Polycarbonate  
E-F-160057



1/4" Rad. Stable  
Polycarbonate  
E-F-160058



1/4"  
Kynar  
E-F-160059

#### More from this range



3/16"  
Clear ABS  
E-F-170571



3/16" Animal Free  
Polypropylene  
E-F-160051



3/16" Clear  
Polycarbonate  
E-F-160052



3/16" Rad. Stable  
Polycarbonate  
E-F-160053



3/16"  
Kynar  
E-F-160054

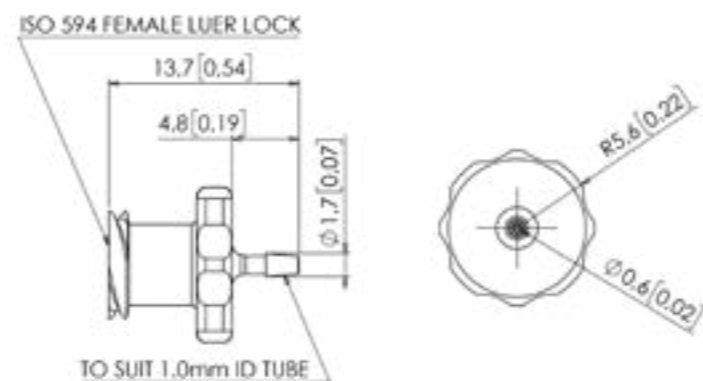
## Female Luers

### E-F-160028 - Female Luer Lock to 1/32" Barb, Lipid Resistant Rad. Stable Polycarbonate



#### Technical Data

**Connection 1:** Female Luer Lock  
**Connection 2:** 1/32" (1.0mm) ID Tube  
**Mounting Style:** In-line  
**Wetted Materials:** Lipid Resistant Rad. Stable Polycarbonate  
**Non-wetted Materials:** Lipid Resistant Rad. Stable Polycarbonate  
**RoHS/REACH Compliant:** Yes  
**Cleanroom Manufactured:** Class 8 (100,000) cleanroom  
**Regulatory Information:** Meets Requirements for USP Class VI, ISO 10993  
**Other Technical Data:** A Lipid Resistant Rad. Stable Polycarbonate female luer lock to barb for 1/32" (1.0mm) ID tube. Animal Derivative Free. Human Derivative Free. DEHP Free. Phthalate Free. Compatible with gamma and EtO (Ethylene Oxide) sterilisation and can withstand radiation doses in the range of 100kGy.



Price starting from: £0.53

\*Larger quantity price breaks available

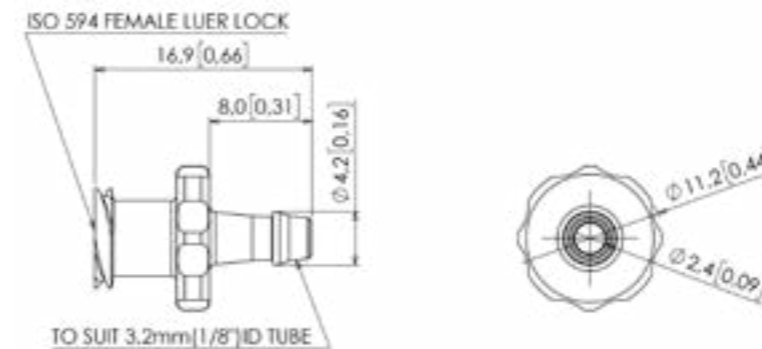
## Female Luers - High Flow

### E-F-180184 - Natural Nylon High Flow Barb Luer, Female Luer Lock to 1/8" (3.2mm) ID Tube



#### Technical Data

**Connection 1:** Female Luer Lock  
**Connection 2:** 1/8" (3.2mm) ID Tube  
**Mounting Style:** In-line  
**Wetted Materials:** Natural Nylon  
**Non-wetted Materials:** Natural Nylon  
**RoHS/REACH Compliant:** Yes  
**Cleanroom Manufactured:** Class 8 (100,000) cleanroom  
**Regulatory Information:** Meets Requirements for FDA 21 CFR 177.1500, California Prop. 65  
**Other Technical Data:** A Natural Nylon female luer lock to high flow barb for 1/8" (3.2mm) ID tube. Phthalate Free. BPA Free. DEHP Free. Ozone depleting substances compliant. Compatible with EtO (Ethylene Oxide) sterilisation and can withstand gamma sterilisation to 50kGy.



Price starting from: £0.28

\*Larger quantity price breaks available

### More from this range



1/8" Animal Free Polypropylene  
E-F-160060



1/8" Clear Polycarbonate  
E-F-160061



1/8" Rad. Stable Polycarbonate  
E-F-160062



1/8" Kynar  
E-F-160063

### Find the right tubing



We have a fitting for every shore hardness!

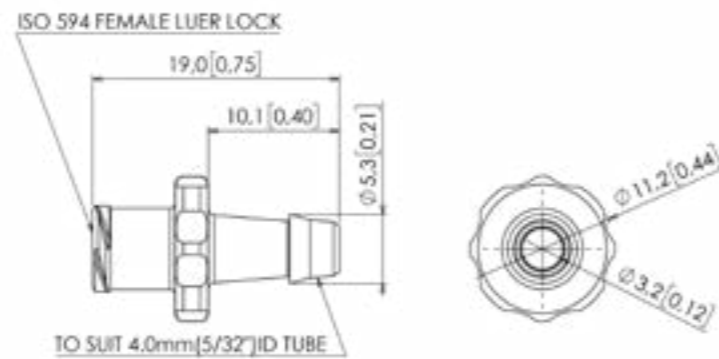
## Female Luers - High Flow

### E-F-180185 - Natural Nylon High Flow Barb Luer, Female Luer Lock to 5/32" (4.0mm) ID Tube



#### Technical Data

**Connection 1:** Female Luer Lock  
**Connection 2:** 5/32" (4.0mm) ID Tube  
**Mounting Style:** In-line  
**Wetted Materials:** Natural Nylon  
**Non-wetted Materials:** Natural Nylon  
**RoHS/REACH Compliant:** Yes  
**Cleanroom Manufactured:** Class 8 (100,000) cleanroom  
**Regulatory Information:** Meets Requirements for FDA 21 CFR 177.1500, California Prop. 65  
**Other Technical Data:** A Natural Nylon female luer lock to high flow barb for 5/32" (4.0mm) ID tube. Phthalate Free. BPA Free. DEHP Free. Ozone depleting substances compliant. Compatible with EtO (Ethylene Oxide) sterilisation and can withstand gamma sterilisation to 50kGy.



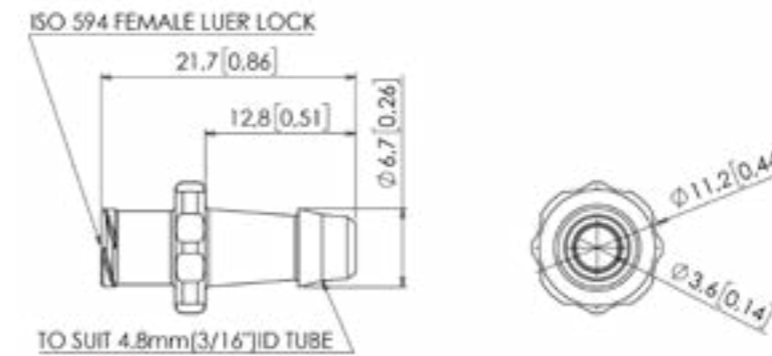
Price starting from: £0.26

\*Larger quantity price breaks available

### E-F-180190 - Natural Nylon High Flow Barb Luer, Female Luer Lock to 3/16" (4.8mm) ID Tube

#### Technical Data

**Connection 1:** Female Luer Lock  
**Connection 2:** 3/16" (4.8mm) ID Tube  
**Mounting Style:** In-line  
**Wetted Materials:** Natural Nylon  
**Non-wetted Materials:** Natural Nylon  
**RoHS/REACH Compliant:** Yes  
**Cleanroom Manufactured:** Class 8 (100,000) cleanroom  
**Regulatory Information:** Meets Requirements for FDA 21 CFR 177.1500, California Prop. 65  
**Other Technical Data:** A Natural Nylon female luer lock to high flow barb for 3/16" (4.8mm) ID tube. Phthalate Free. BPA Free. DEHP Free. Ozone depleting substances compliant. Compatible with EtO (Ethylene Oxide) sterilisation and can withstand gamma sterilisation to 50kGy.



Price starting from: £0.34

\*Larger quantity price breaks available

#### More from this range



5/32" Animal Free Polypropylene  
E-F-180186



5/32" Clear Polycarbonate  
E-F-180187



5/32" Rad. Stable Polycarbonate  
E-F-180188



5/32" Kynar  
E-F-180189

#### More from this range



3/16" Animal Free Polypropylene  
E-F-171502



3/16" Clear Polycarbonate  
E-F-180191



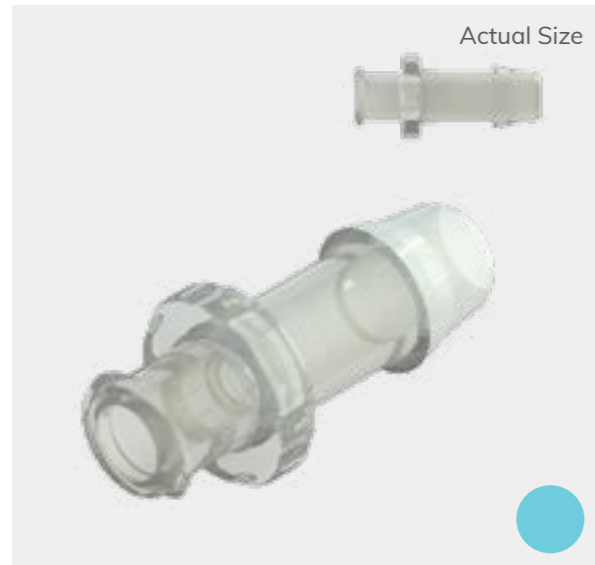
3/16" Rad. Stable Polycarbonate  
E-F-180192



3/16" Kynar  
E-F-180193

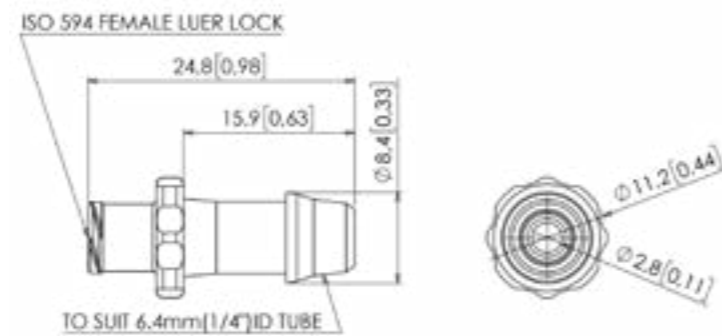
## Female Luers - High Flow

### E-F-180194 - Natural Nylon High Flow Barb Luer, Female Luer Lock to 1/4" (6.4mm) ID Tube



#### Technical Data

**Connection 1:** Female Luer Lock  
**Connection 2:** 1/4" (6.4mm) ID Tube  
**Mounting Style:** In-line  
**Wetted Materials:** Natural Nylon  
**Non-wetted Materials:** Natural Nylon  
**RoHS/REACH Compliant:** Yes  
**Cleanroom Manufactured:** Class 8 (100,000) cleanroom  
**Regulatory Information:** Meets Requirements for FDA 21 CFR 177.1500, California Prop. 65  
**Other Technical Data:** A Natural Nylon female luer lock to high flow barb for 1/4" (6.4mm) ID tube. Phthalate Free. BPA Free. DEHP Free. Ozone depleting substances compliant. Compatible with EtO (Ethylene Oxide) sterilisation and can withstand gamma sterilisation to 50kGy.



Price starting from: £0.34

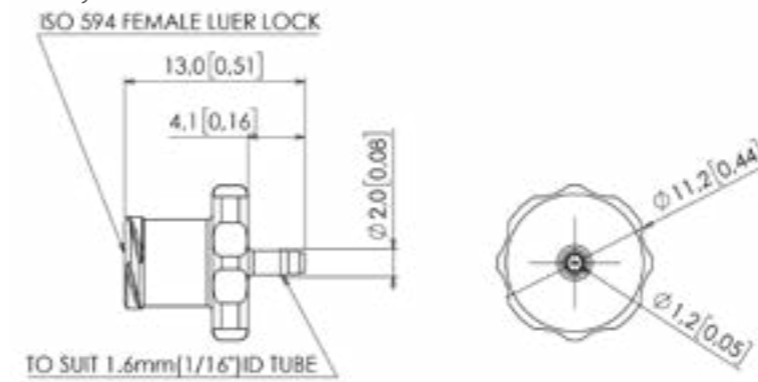
\*Larger quantity price breaks available

## Female Luers - Rigid

### E-F-180199 - Natural Nylon Rigid Barb Luer, Female Luer Lock to 1/16" (1.6mm) ID Tube

#### Technical Data

**Connection 1:** Female Luer Lock  
**Connection 2:** 1/16" (1.6mm) ID Tube  
**Mounting Style:** In-line  
**Wetted Materials:** Natural Nylon  
**Non-wetted Materials:** Natural Nylon  
**RoHS/REACH Compliant:** Yes  
**Cleanroom Manufactured:** Class 8 (100,000) cleanroom  
**Regulatory Information:** Meets Requirements for FDA 21 CFR 177.1500, California Prop. 65  
**Other Technical Data:** A Natural Nylon female luer lock to rigid barb for 1/16" (1.6mm) ID tube. Phthalate Free. BPA Free. DEHP Free. Ozone depleting substances compliant. Compatible with EtO (Ethylene Oxide) sterilisation and can withstand gamma sterilisation to 50kGy.



Price starting from: £0.28

\*Larger quantity price breaks available

#### More from this range



1/4" Animal Free  
Polypropylene  
E-F-180195



1/4" Clear  
Polycarbonate  
E-F-180196



1/4" Rad. Stable  
Polycarbonate  
E-F-180197



1/4"  
Kynar  
E-F-180198

#### More from this range



1/16" Animal Free  
Polypropylene  
E-F-180200



1/16" Clear  
Polycarbonate  
E-F-180201



1/16" Rad. Stable  
Polycarbonate  
E-F-180202



1/16"  
Kynar  
E-F-180203



## Female Luers - Rotating with Snap Ring

### E-F-160134 - Clear ABS Rotating Luer With Snap Ring, Female Luer Lock to Male Luer Lock

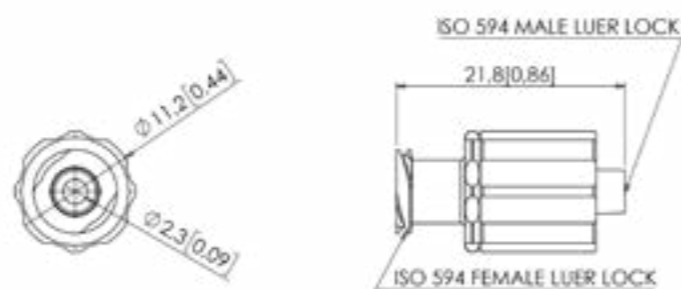


#### Technical Data

**Connection 1:** Female Luer Lock  
**Connection 2:** Male Luer Lock  
**Mounting Style:** In-line  
**Wetted Materials:** Clear ABS  
**Non-wetted Materials:** Clear ABS  
**RoHS/REACH Compliant:** Yes  
**Cleanroom Manufactured:** Class 8 (100,000) cleanroom  
**Regulatory Information:** Meets Requirements for USP Class VI, FDA 21 CFR 181.32. California Prop. 65  
**Other Technical Data:** A Clear ABS female luer lock to male luer lock complete with snap ring. Conflict Mineral Compliant. DEHP Free. Animal Derivative Free. Human Derivative Free. BPA Free. Phthalate Free. Latex Free.

Price starting from: £0.67

\*Larger quantity price breaks available



## Female Luers - Rotating

### E-F-160114 - Clear ABS Rotating Luer, Female Luer Lock to Male Slip Luer

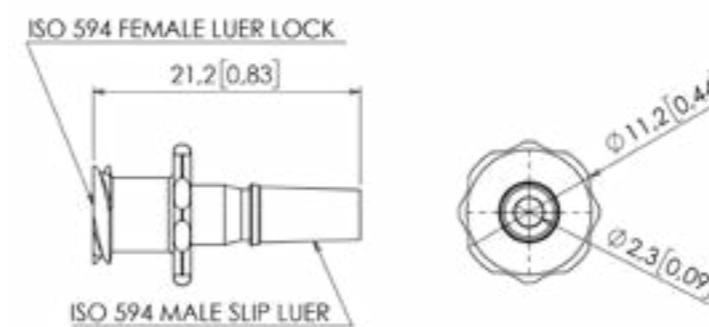
#### Technical Data

**Connection 1:** Female Luer Lock  
**Connection 2:** Male Slip Luer  
**Mounting Style:** In-line  
**Wetted Materials:** Clear ABS  
**Non-wetted Materials:** Clear ABS  
**RoHS/REACH Compliant:** Yes  
**Cleanroom Manufactured:** Class 8 (100,000) cleanroom  
**Regulatory Information:** Meets Requirements for USP Class VI, FDA 21 CFR 181.32. California Prop. 65  
**Other Technical Data:** A Clear ABS female luer lock to male slip luer. Conflict Mineral Compliant. DEHP Free. Animal Derivative Free. Human Derivative Free. BPA Free. Phthalate Free. Latex Free.

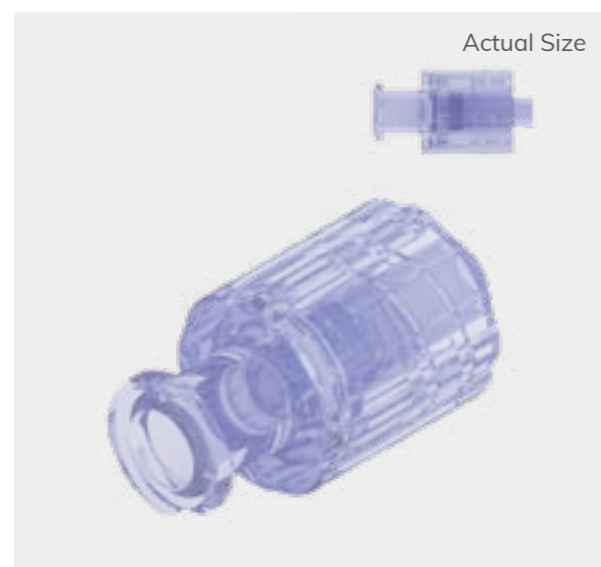


Price starting from: £0.38

\*Larger quantity price breaks available



### E-F-160135 - Lipid Resistant Rad. Stable Polycarbonate Rotating Luer With Snap Ring, Female Luer Lock to Male Luer Lock

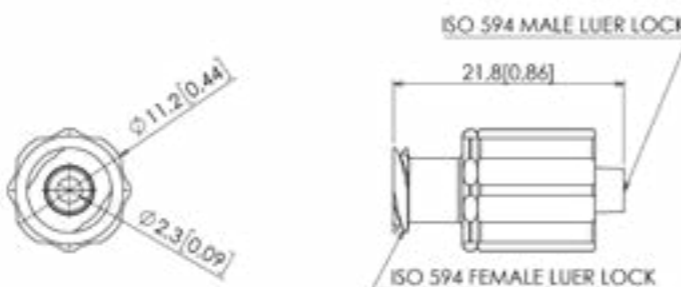


#### Technical Data

**Connection 1:** Female Luer Lock  
**Connection 2:** Male Luer Lock  
**Mounting Style:** In-line  
**Wetted Materials:** Lipid Resistant Rad. Stable Polycarbonate  
**Non-wetted Materials:** Lipid Resistant Rad. Stable Polycarbonate  
**RoHS/REACH Compliant:** Yes  
**Cleanroom Manufactured:** Class 8 (100,000) cleanroom  
**Regulatory Information:** Meets Requirements for USP Class VI, ISO 10993  
**Other Technical Data:** A Lipid Resistant Rad. Stable Polycarbonate female luer lock to male luer lock complete with snap ring. Animal Derivative Free. Human Derivative Free. DEHP Free. Phthalate Free.

Price starting from: £0.74

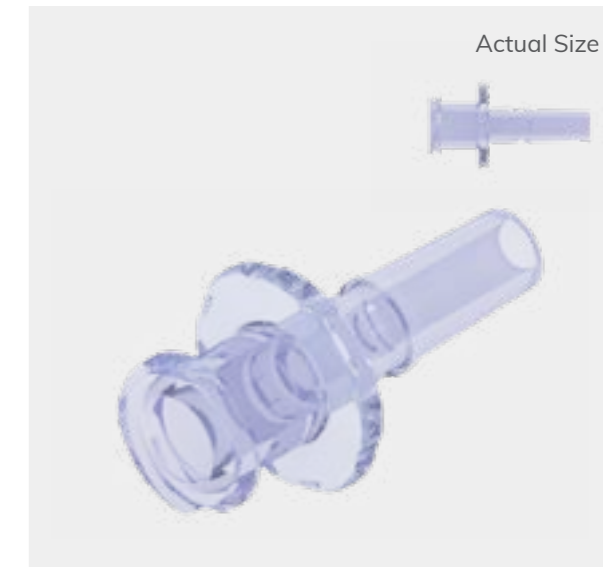
\*Larger quantity price breaks available



### E-F-160112 - Lipid Resistant Rad. Stable Polycarbonate Rotating Luer, Female Luer Lock to Male Slip Luer

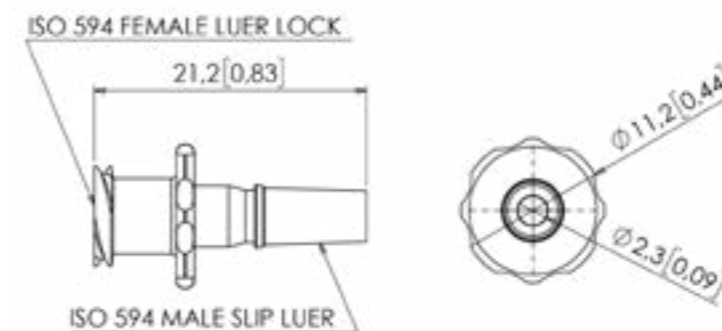
#### Technical Data

**Connection 1:** Female Luer Lock  
**Connection 2:** Male Slip Luer  
**Mounting Style:** In-line  
**Wetted Materials:** Lipid Resistant Rad. Stable Polycarbonate  
**Non-wetted Materials:** Lipid Resistant Rad. Stable Polycarbonate  
**RoHS/REACH Compliant:** Yes  
**Cleanroom Manufactured:** Class 8 (100,000) cleanroom  
**Regulatory Information:** Meets Requirements for USP Class VI, ISO 10993  
**Other Technical Data:** A Lipid Resistant Rad. Stable Polycarbonate female luer lock to male slip luer. Animal Derivative Free. Human Derivative Free. DEHP Free. Phthalate Free.

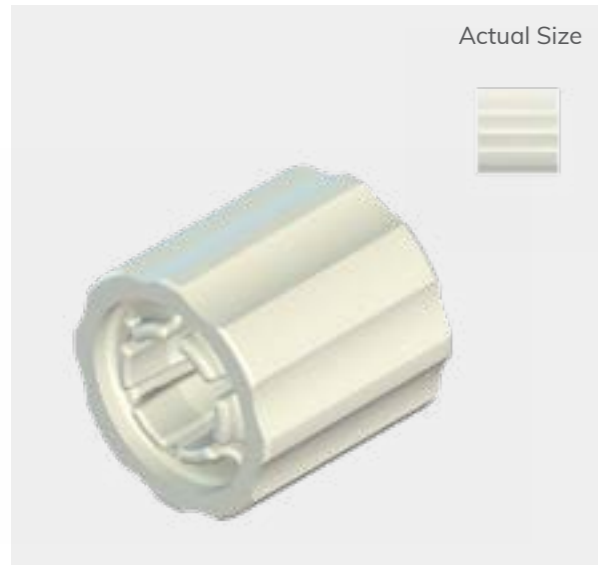


Price starting from: £0.60

\*Larger quantity price breaks available

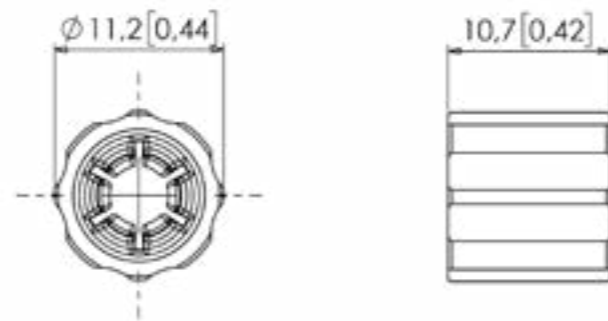


E-F-210303 - White Nylon Rotating Snap Ring



Technical Data

**Connection:** Male Luer Lock  
**Mounting Style:** In-line  
**Wetted Materials:** White Nylon  
**Non-wetted Materials:** White Nylon  
**RoHS/REACH Compliant:** Yes  
**Cleanroom Manufactured:** Class 8 (100,000) Cleanroom  
**Other Technical Data:** A White Nylon snap ring used for a rotating male luer. Phthalate Free. Latex Free. DEHP Free. Ozone depleting substances compliant. Compatible with EtO (Ethylene Oxide) sterilisation and can withstand gamma sterilisation to 50kGy.



Price starting from: £0.29

\*Larger quantity price breaks available

More from this range



Snap Ring - Clear  
ABS  
E-F-160128



Snap Ring - Clear  
Polycarbonate  
E-F-160132



Snap Ring - Rad.  
Stable Polycarbonate  
E-F-160133

Need a Check Valve?

Eox offers a wide range of check valves, available in various specification and material options. Valve types include: Duckbill, Floating Disc, Diaphragm and Poppets. For further information visit our check valve focus page [www.eoxshop.com/What-is-a-Check-Valve/](http://www.eoxshop.com/What-is-a-Check-Valve/).

We have recently added modular check valves to our range with many configurations available including barb, thread, push-in and cartridge only. These utilise a spring-forced floating poppet which will allow flow at a cracking pressure to suit your application. Contact [sales@eoxshop.com](mailto:sales@eoxshop.com) to request our Check Valve catalogue providing detailed product data for every component including 1:1 representation of component size and dimensional drawings.



Visit our online configurator to create your perfect check valve

Contact [sales@eoxshop.com](mailto:sales@eoxshop.com) for your free modular check valve / cartridge sample or to learn more about our production capabilities including cleanroom manufactured check valves, bespoke labelling and tube assembly production.

## Female Luers - Wing Grip

**E-F-160064** - Clear ABS Wing Grip Luer, Female Luer Lock to 1/16" (1.6mm) ID Tube

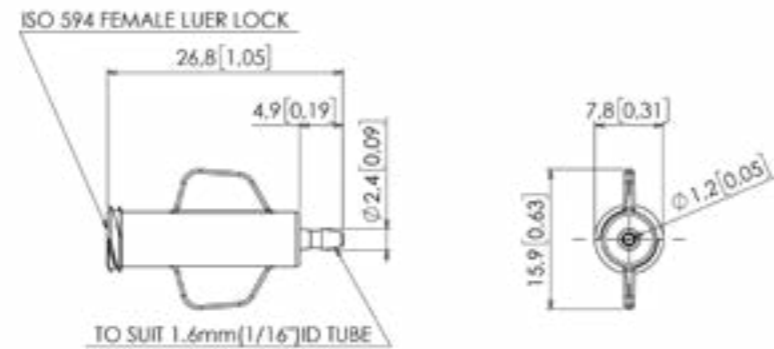


### Technical Data

**Connection 1:** Female Luer Lock  
**Connection 2:** 1/16" (1.6mm) ID Tube  
**Mounting Style:** In-line  
**Wetted Materials:** Clear ABS  
**Non-wetted Materials:** Clear ABS  
**RoHS/REACH Compliant:** Yes  
**Cleanroom Manufactured:** Class 8 (100,000) cleanroom  
**Regulatory Information:** Meets Requirements for USP Class VI, FDA 21 CFR 181.32, California Prop. 65  
**Other Technical Data:** A Clear ABS wing grip female luer lock to 1/16" (1.6mm) ID tube. Conflict Mineral Compliant. DEHP Free. Animal Derivative Free. Human Derivative Free. BPA Free. Phthalate Free. Latex Free.

Price starting from: £0.49

\*Larger quantity price breaks available



## Female Luers - Wing Grip

**E-F-160070** - Clear ABS Wing Grip Luer, Female Luer Lock to 1/8" (3.2mm) ID Tube

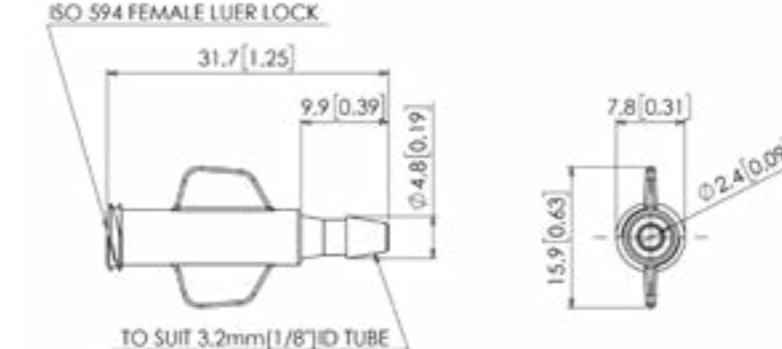
### Technical Data

**Connection 1:** Female Luer Lock  
**Connection 2:** 1/8" (3.2mm) ID Tube  
**Mounting Style:** In-line  
**Wetted Materials:** Clear ABS  
**Non-wetted Materials:** Clear ABS  
**RoHS/REACH Compliant:** Yes  
**Cleanroom Manufactured:** Class 8 (100,000) cleanroom  
**Regulatory Information:** Meets Requirements for USP Class VI, FDA 21 CFR 181.32, California Prop. 65  
**Other Technical Data:** A Clear ABS wing grip female luer lock to 1/8" (3.2mm) ID tube. Conflict Mineral Compliant. DEHP Free. Animal Derivative Free. Human Derivative Free. BPA Free. Phthalate Free. Latex Free.



Price starting from: £0.49

\*Larger quantity price breaks available



### More from this range



1/16" Animal Free  
Polypropylene  
E-F-160065



1/16" Clear ABS  
E-F-160066

### More from this range



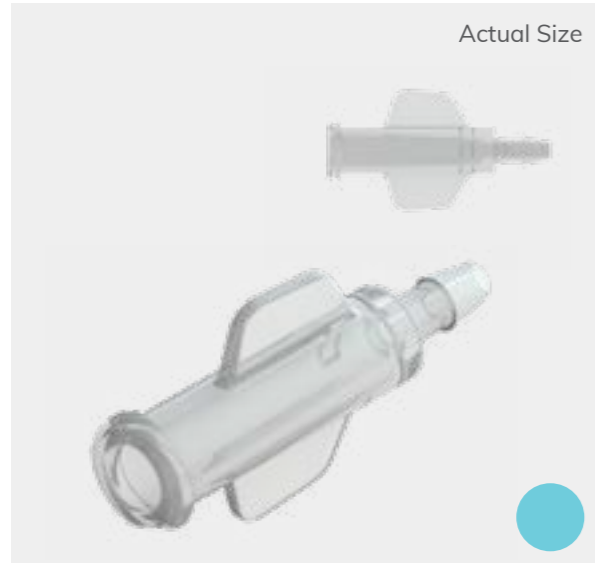
1/8" Animal Free  
Polypropylene  
E-F-160071



1/8" Clear  
Polycarbonate  
E-F-160072

## Female Luers - Wing Grip

### E-F-160067 - Clear ABS Wing Grip Luer, Female Luer Lock to 3/32" (2.4mm) ID Tube

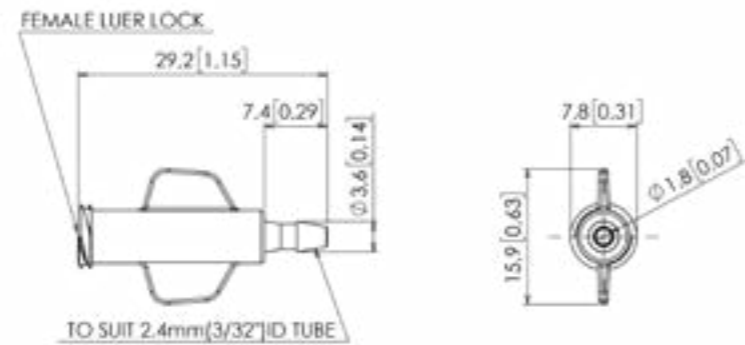


#### Technical Data

**Connection 1:** Female Luer Lock  
**Connection 2:** 3/32" (2.4mm) ID Tube  
**Mounting Style:** In-line  
**Wetted Materials:** Clear ABS  
**Non-wetted Materials:** Clear ABS  
**RoHS/REACH Compliant:** Yes  
**Cleanroom Manufactured:** Class 8 (100,000) cleanroom  
**Regulatory Information:** Meets Requirements for USP Class VI, FDA 21 CFR 181.32. California Prop. 65  
**Other Technical Data:** A Clear ABS wing grip female luer lock to 3/32" (2.4mm) ID tube. Conflict Mineral Compliant. DEHP Free. Animal Derivative Free. Human Derivative Free. BPA Free. Phthalate Free. Latex Free.

Price starting from: £0.49

\*Larger quantity price breaks available



## Female Luers - ISO 80369-7

### E-F-190027 - ISO 80369-7 Clear ABS Luer, Female Luer Lock to 1/8" (3.2mm) ID Tube

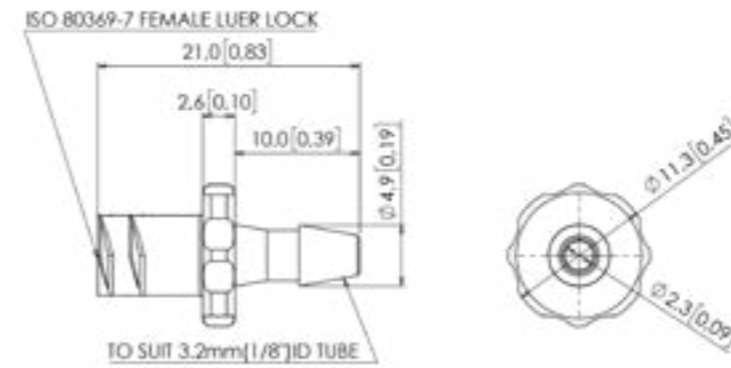
#### Technical Data

**Connection 1:** Female Luer Lock  
**Connection 2:** 1/8" (3.2mm) ID Tube  
**Mounting Style:** In-line  
**Wetted Materials:** Clear ABS  
**Non-wetted Materials:** Clear ABS  
**RoHS/REACH Compliant:** Yes  
**Cleanroom Manufactured:** Class 8 (100,000) cleanroom  
**Regulatory Information:** Meets Requirements for USP Class VI, FDA 21 CFR 181.32. California Prop. 65  
**Other Technical Data:** A Clear ABS luer with ISO 80369-7 female luer lock to barb for 1/8" (3.2mm) ID tube. Conflict Mineral Compliant. DEHP Free. Animal derivative Free. Human derivative Free. BPA Free. Phthalate Free. Latex Free.



Price starting from: £0.29

\*Larger quantity price breaks available



#### More from this range



3/32" Animal Free Polypropylene  
E-F-160068



3/32" Clear Polycarbonate  
E-F-160069

#### More from this range



1/16" Clear ABS  
E-F-190025



3/32" Clear ABS  
E-F-190026



5/32" Clear ABS  
E-F-190028



3/16" Clear ABS  
E-F-190029



1/4" Clear ABS  
E-F-190030

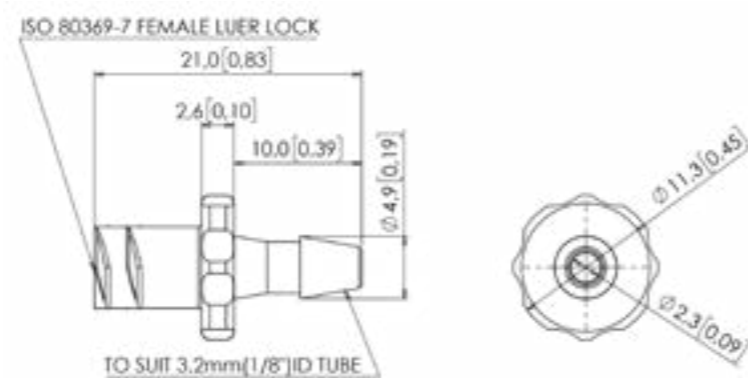
## Female Luers - ISO 80369-7

### E-F-190015 - ISO 80369-7 Clear Polycarbonate Luer, Female Luer Lock to 1/8" (3.2mm) ID Tube



#### Technical Data

**Connection 1:** Female Luer Lock  
**Connection 2:** 1/8" (3.2mm) ID Tube  
**Mounting Style:** In-line  
**Wetted Materials:** Clear Polycarbonate  
**Non-wetted Materials:** Clear Polycarbonate  
**RoHS/REACH Compliant:** Yes  
**Cleanroom Manufactured:** Class 8 (100,000) cleanroom  
**Regulatory Information:** Meets Requirements for USP Class VI, ISO 10993-1, FDA 21 CFR 177.1500  
**Other Technical Data:** A Clear Polycarbonate luer with ISO 80369-7 female luer lock to barb for 1/8" (3.2mm) ID tube. Human Derivative Free. DEHP Free. Phthalate Free. Conflict minerals compliant. Compatible with gamma and EtO (Ethylene Oxide) sterilisation methods.



Price starting from: £0.40

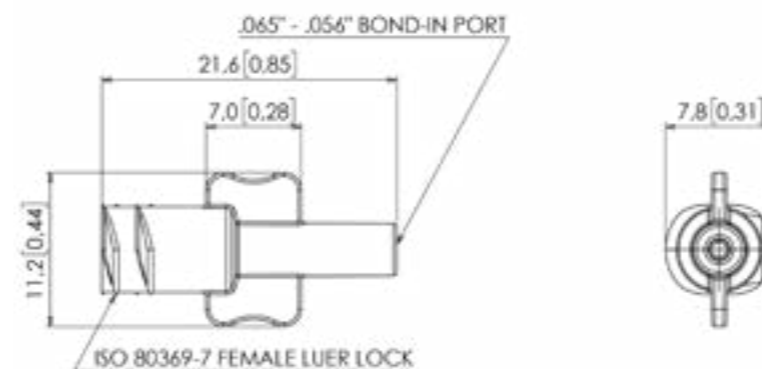
\*Larger quantity price breaks available

## Female Luers - ISO 80369-7

### E-F-180016 - ISO 80369-7 Clear Acrylic Luer, Female Luer Lock to .065"/.056" Bond-In Port

#### Technical Data

**Connection 1:** Female Luer Lock  
**Connection 2:** .065"/.056" Bond-In Port  
**Mounting Style:** In-line  
**Wetted Materials:** Clear Acrylic  
**Non-wetted Materials:** Clear Acrylic  
**RoHS/REACH Compliant:** Yes  
**Cleanroom Manufactured:** Class 8 (100,000) cleanroom  
**Regulatory Information:** Meets Requirements for USP Class VI, ISO 10993  
**Other Technical Data:** A Clear Acrylic luer with ISO 80369-7 female luer lock to .065"/.056" bond-in port. BPA Free. DEHP Free. Phthalate Free. Latex Free. Conflict mineral compliant. This material is compatible with E-beam, gamma and EtO (Ethylene Oxide) sterilisation methods.



Price starting from: £0.39

\*Larger quantity price breaks available

#### More from this range



1/16"  
Clear Polycarbonate  
E-F-190013



3/32"  
Clear Polycarbonate  
E-F-190014



5/32"  
Clear Polycarbonate  
E-F-190016



3/16"  
Clear Polycarbonate  
E-F-190017



1/4"  
Clear Polycarbonate  
E-F-190018

#### More from this range



.088/.079  
Clear Acrylic  
E-F-180182



.114/.100  
Clear Acrylic  
E-F-180183



.134/.124  
Clear Acrylic  
E-F-180017



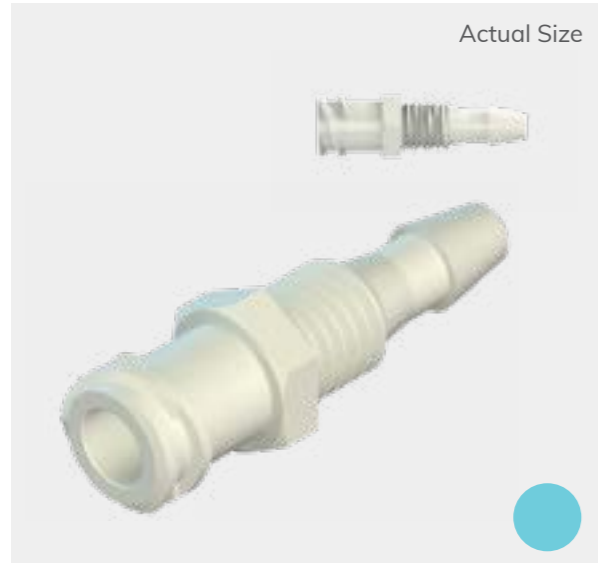
.163/.134  
Clear Acrylic  
E-F-180018



.192/.183  
Clear Acrylic  
E-F-180019

## Panel Mount Connectors - ISO 80369-7

### E-F-210301 - ISO 80369-7 White Nylon Panel Mount Luer, Female Luer Lock to 1/8" (3.2mm) ID Tube



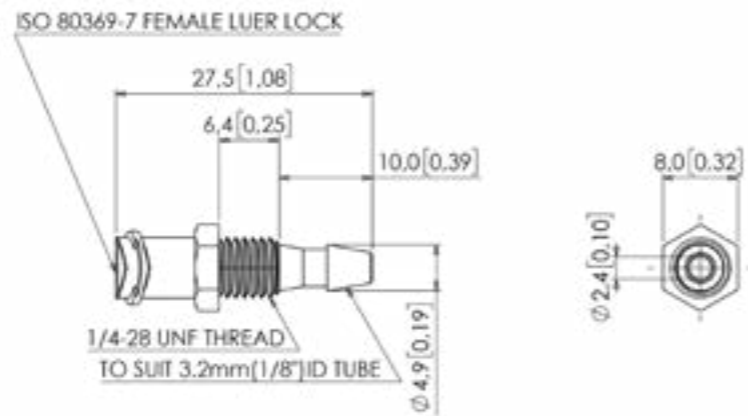
Price starting from: £0.46

\*Larger quantity price breaks available



#### Technical Data

**Connection 1:** Female Luer Lock  
**Connection 2:** 1/8" (3.2mm) ID Tube  
**Mounting Style:** Panel Mount  
**Wetted Materials:** White Nylon  
**Non-wetted Materials:** White Nylon  
**RoHS/REACH Compliant:** Yes  
**Cleanroom Manufactured:** Class 8 (100,000) cleanroom  
**Regulatory Information:** Meets Requirements for FDA 21 CFR 177.1500, California Prop. 65  
**Other Technical Data:** A White Nylon panel mount luer with ISO 80369-7 female luer lock to barb for 1/8" (3.2mm) ID tube with 1/4-28 UNF thread. Phthalate Free. Latex Free. DEHP Free.

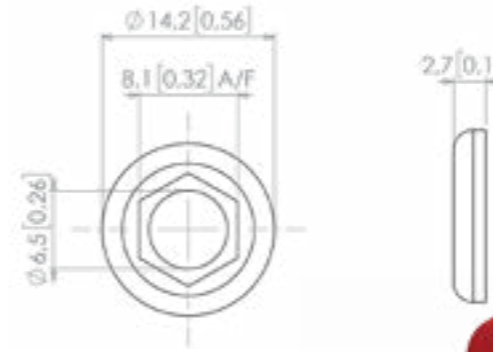


## Accessories

### E-F-200116 - Panel Mount Colour Code Ring, Nylon, Black Nylon

#### Technical Data

**Mounting Style:** Panel Mount  
**Wetted Materials:** Black Nylon  
**Non-wetted Materials:** Black Nylon  
**RoHS/REACH Compliant:** Yes  
**Cleanroom Manufactured:** No  
**Other Technical Data:** Black colour code ring use for 7/16" hex panel mount fitting. Other colour options available (see below).



Available colours:



Red  
E-F-200117



Blue  
E-F-200118



Green  
E-F-200119



Yellow  
E-F-200120



Price starting from: £0.35

\*Larger quantity price breaks available

### More from this range



1/16" Bulkhead,  
White Nylon  
E-F-210299



3/32" Bulkhead,  
White Nylon  
E-F-210302



1/8" Animal Free  
Polypropylene  
E-F-200059



1/16" Animal Free  
Polypropylene  
E-F-200053

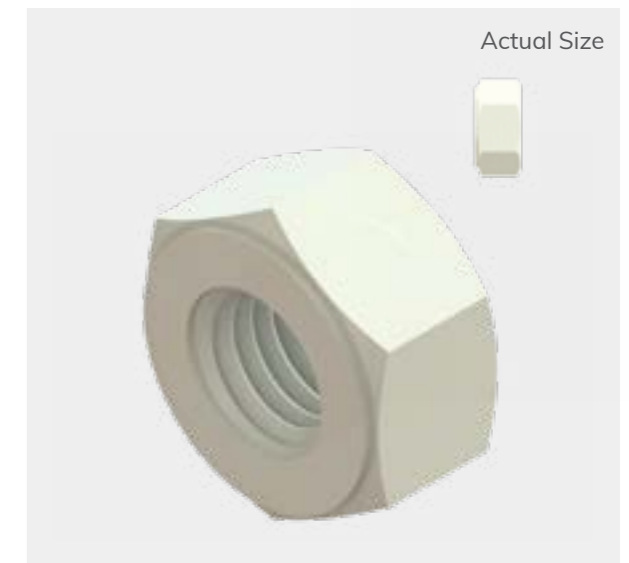
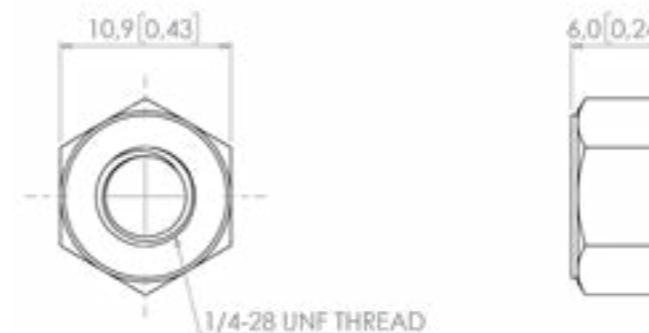


3/32" Animal Free  
Polypropylene  
E-F-200056

### E-F-210437 - Natural Nylon 1/4-28 UNF Thread Panel Nut with .425" Hex and .235" Thick

#### Technical Data

**Connections:** 1/4-28 UNF Thread  
**Mounting Style:** Panel Mount  
**Wetted Materials:** Natural Nylon  
**Non-wetted Materials:** Natural Nylon  
**RoHS/REACH Compliant:** Yes  
**Cleanroom Manufactured:** No  
**Regulatory Information:** Meets FDA requirements 21 CFR 178.3297, California Prop. 65  
**Other Technical Data:** A Natural Nylon panel mount nut with 1/4-28 UNF thread.

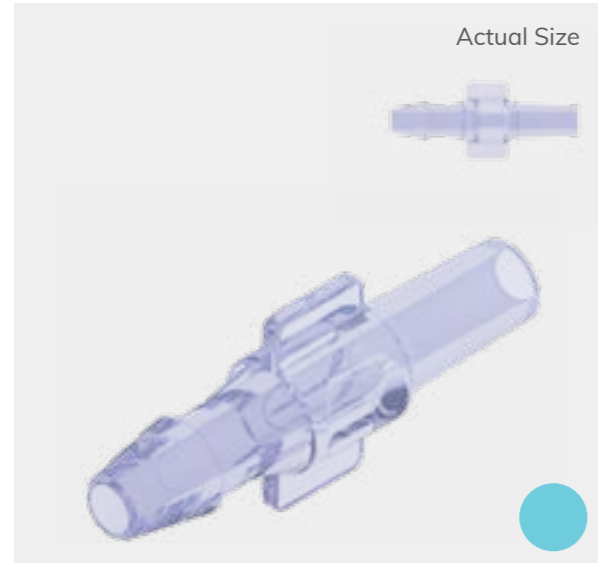


Price starting from: £0.89

\*Larger quantity price breaks available

.363" Hex/.135  
Thick  
E-F-210382

**E-F-160163** - Lipid Resistant Rad. Stable Polycarbonate Slip Luer, 1/8" (3.2mm) ID Tube to Male Slip Luer

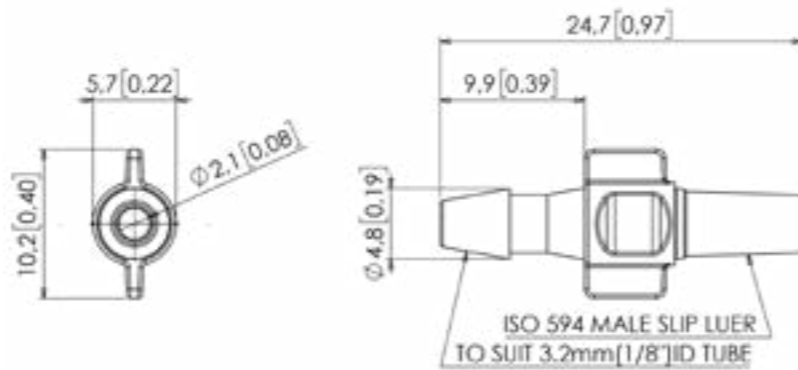


Price starting from: £0.44

\*Larger quantity price breaks available

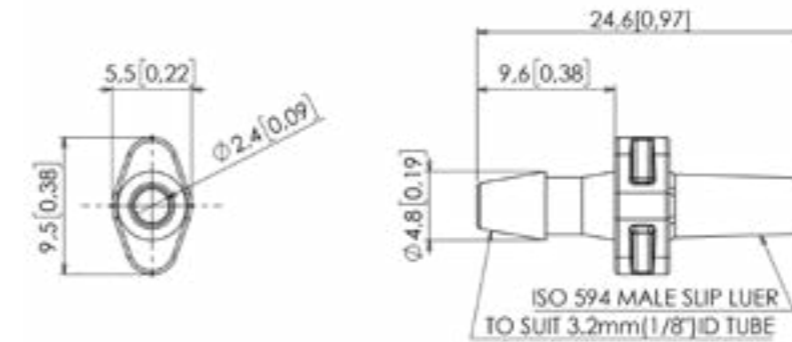
**Technical Data**

**Connection 1:** Male Slip Luer  
**Connection 2:** 1/8" (3.2mm) ID Tube  
**Mounting Style:** In-line  
**Wetted Materials:** Lipid Resistant Rad. Stable Polycarbonate  
**Non-wetted Materials:** Lipid Resistant Rad. Stable Polycarbonate  
**RoHS/REACH Compliant:** Yes  
**Cleanroom Manufactured:** Class 8 (100,000) cleanroom  
**Regulatory Information:** Meets Requirements for USP Class VI, ISO 10993  
**Other Technical Data:** A Lipid Resistant Rad. Stable Polycarbonate luer with barb for 1/8" (3.2mm) ID tube to male slip luer. Animal Derivative Free. Human Derivative Free. DEHP Free. Phthalate Free. Compatible with gamma and EtO (Ethylene Oxide) sterilisation and can withstand radiation doses in the range of 100kGy.



**E-F-160164** - White ABS Slip Luer, 1/8" (3.2mm) ID Tube to Male Slip Luer

**Connection 1:** Male Slip Luer  
**Connection 2:** 1/8" (3.2mm) ID Tube  
**Mounting Style:** In-line  
**Wetted Materials:** White ABS  
**Non-wetted Materials:** White ABS  
**RoHS/REACH Compliant:** Yes  
**Cleanroom Manufactured:** Class 8 (100,000) cleanroom  
**Regulatory Information:** Meets Requirements for USP Class VI, ISO 10993-1, FDA 21 CFR 181.32, California Prop. 65  
**Other Technical Data:** A White ABS luer with barb for 1/8" (3.2mm) ID tube to male slip luer. Conflict mineral compliant. Compatible with EtO (Ethylene Oxide) sterilisation, but is not compatible with autoclave or gamma sterilisation.



Price starting from: £0.38

\*Larger quantity price breaks available

More from this range



1/8" Rad. Stable Polycarbonate  
E-F-160159



1/16" Rad. Stable Polycarbonate  
E-F-160161

More from this range



1/8" Clear ABS  
E-F-160162

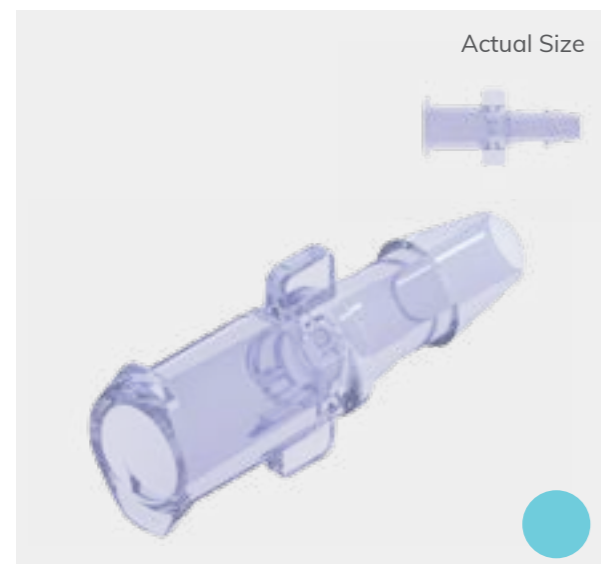


1/16" Clear ABS  
E-F-160158



3/32" Clear ABS  
E-F-160160

**E-F-160157 - Female Slip Luer to 1/8" Barb, Lipid Resistant Rad. Stable Polycarbonate**

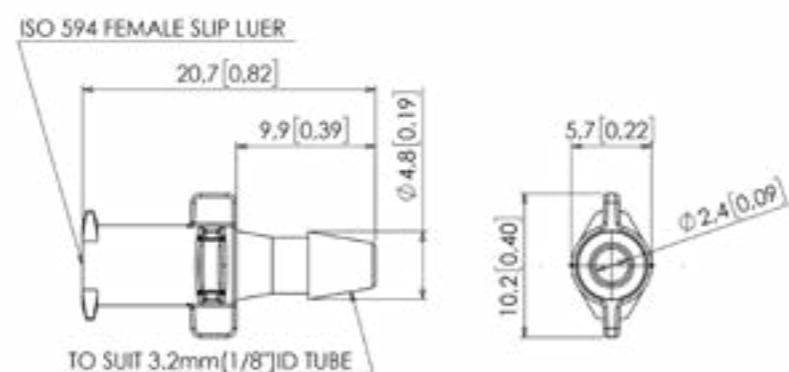


**Technical Data**

**Connection 1:** Female Slip Luer  
**Connection 2:** 1/8" (3.2mm) ID Tube  
**Mounting Style:** In-line  
**Wetted Materials:** Lipid Resistant Rad. Stable Polycarbonate  
**Non-wetted Materials:** Lipid Resistant Rad. Stable Polycarbonate  
**RoHS/REACH Compliant:** Yes  
**Cleanroom Manufactured:** Class 8 (100,000) cleanroom  
**Regulatory Information:** Meets Requirements for USP Class VI, ISO 10993  
**Other Technical Data:** A Lipid Resistant Rad. Stable Polycarbonate luer with barb for 1/8" (3.2mm) ID tube to male slip luer. Animal Derivative Free. Human Derivative Free. DEHP Free. Phthalate Free.

Price starting from: £0.42

\*Larger quantity price breaks available



**E-F-160156 - Female Slip Luer to 1/8" Barb, Clear ABS**

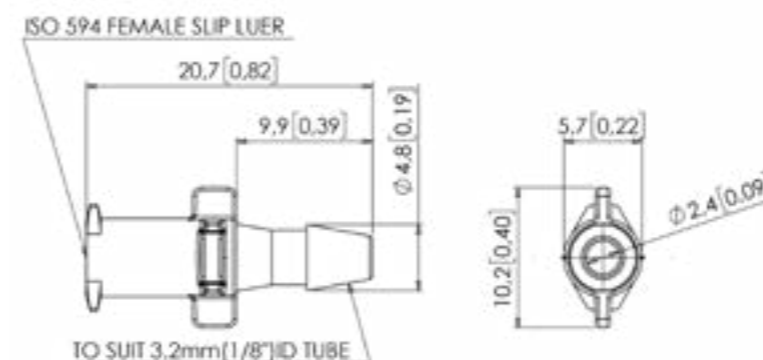
**Technical Data**

**Connection 1:** Female Slip Luer  
**Connection 2:** 1/8" (3.2mm) ID Tube  
**Mounting Style:** In-line  
**Wetted Materials:** Clear ABS  
**Non-wetted Materials:** Clear ABS  
**RoHS/REACH Compliant:** Yes  
**Cleanroom Manufactured:** Class 8 (100,000) cleanroom  
**Regulatory Information:** Meets Requirements for USP Class VI, ISO 10993-1, FDA 21 CFR 181.32, California Prop. 65  
**Other Technical Data:** A Clear ABS luer with barb for 1/8" (3.2mm) ID tube to male slip luer. Conflict mineral compliant. Compatible with EtO (Ethylene Oxide) sterilisation, but is not compatible with autoclave or gamma sterilisation.



Price starting from: £0.37

\*Larger quantity price breaks available



More from this range



1/16" Rad. Stable Polycarbonate  
E-F-160153



3/32" Rad. Stable Polycarbonate  
E-F-160155

More from this range



1/16" Clear ABS  
E-F-160152



3/32" Clear ABS  
E-F-160154



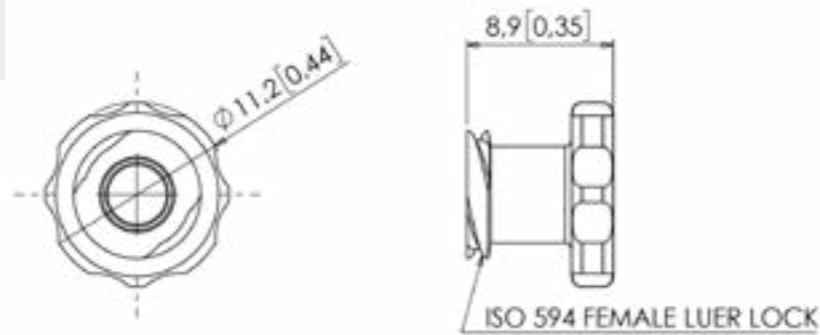
E-F-210240 - White Nylon Female Luer Lock Plug



Price starting from: £0.31  
\*Larger quantity price breaks available

Technical Data

**Connection 1:** Female Luer Lock  
**Connection 2:** None - Closed End  
**Mounting Style:** In-line  
**Wetted Materials:** White Nylon  
**Non-wetted Materials:** White Nylon  
**RoHS/REACH Compliant:** Yes  
**Cleanroom Manufactured:** Class 8 (100,000) cleanroom  
**Regulatory Information:** Meets Requirements for FDA 21 CFR 177.1500, California Prop. 65  
**Other Technical Data:** A White Nylon luer plug with female luer lock. Phthalate Free. Latex Free. DEHP Free. Ozone depleting substances compliant. Compatible with EtO (Ethylene Oxide) sterilisation and can withstand gamma sterilisation to 50kGy.



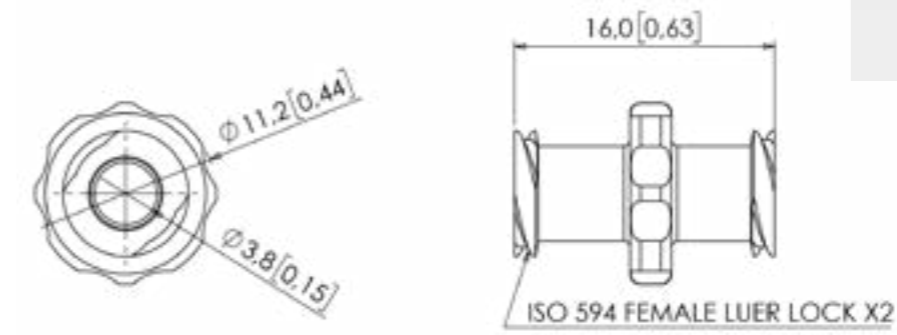
E-F-210265 - White Nylon Female Luer Lock Coupler (x2)

Technical Data

**Connections:** Female Luer Lock x2  
**Mounting Style:** In-line  
**Wetted Materials:** White Nylon  
**Non-wetted Materials:** White Nylon  
**RoHS/REACH Compliant:** Yes  
**Cleanroom Manufactured:** Class 8 (100,000) cleanroom  
**Regulatory Information:** Meets Requirements for USP Class VI, FDA 21 CFR 181.32, California Prop. 65  
**Other Technical Data:** A White Nylon luer plug with female luer lock. Phthalate Free. Latex Free. DEHP Free. Ozone depleting substances compliant. Compatible with EtO (Ethylene Oxide) sterilisation and can withstand gamma sterilisation to 50kGy.



Price starting from: £0.33  
\*Larger quantity price breaks available



More from this range



Female Plug, Animal Free Polypropylene  
E-F-2015-0108



Female Plug, Clear Polycarbonate  
E-F-160167



Female Plug, Kynar  
E-F-160169

More from this range



Female Coupler, Animal Free Poly.  
E-F-160171



Female Coupler, Clear Polycarbonate  
E-F-160172

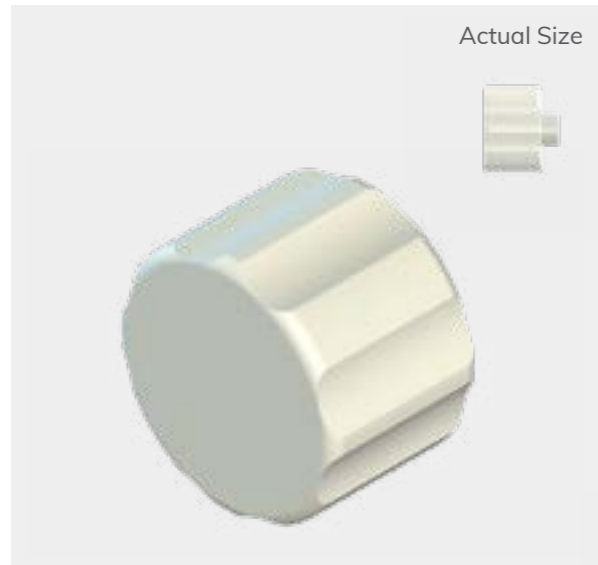


Female Coupler, Rad. Stable Polycarbonate  
E-F-160173



Female Coupler, Kynar  
E-F-160174

E-F-210259 - White Nylon Male Luer Lock Plug



Technical Data

**Connection 1:** Male Luer Lock  
**Connection 2:** None - Closed End  
**Mounting Style:** In-line  
**Wetted Materials:** White Nylon  
**Non-wetted Materials:** White Nylon  
**RoHS/REACH Compliant:** Yes  
**Cleanroom Manufactured:** Class 8 (100,000) cleanroom  
**Regulatory Information:** Meets Requirements for FDA 21 CFR 177.1500, California Prop. 65  
**Other Technical Data:** A White Nylon luer plug with male luer lock. Phthalate Free. Latex Free. DEHP Free. Ozone depleting substances compliant. Compatible with EtO (Ethylene Oxide) sterilisation and can withstand gamma sterilisation to 50kGy.



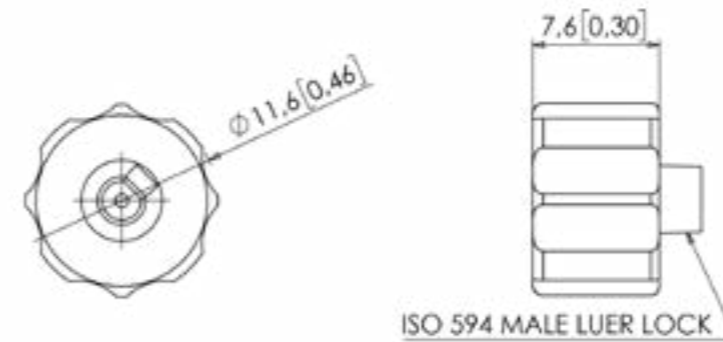
Price starting from: £0.26

\*Larger quantity price breaks available

E-F-210258 - White Nylon Closed Male Luer Lock Plug

Technical Data

**Connection 1:** Male Luer Lock  
**Connection 2:** None - Closed End  
**Mounting Style:** In-line  
**Wetted Materials:** White Nylon  
**Non-wetted Materials:** White Nylon  
**RoHS/REACH Compliant:** Yes  
**Cleanroom Manufactured:** Class 8 (100,000) cleanroom  
**Regulatory Information:** Meets Requirements for FDA 21 CFR 177.1500, California Prop. 65  
**Other Technical Data:** A White Nylon closed luer plug with male luer lock. Phthalate Free. Latex Free. DEHP Free. Ozone depleting substances compliant. Compatible with EtO (Ethylene Oxide) sterilisation and can withstand gamma sterilisation to 50kGy.



Price starting from: £0.25

\*Larger quantity price breaks available

More from this range



Male Plug, Animal Free Polypropylene  
E-F-2015-0109



Male Plug, Clear Polycarbonate  
E-F-160176



Male Plug, Rad. Stable Polycarbonate  
E-F-160177



Male Plug, Kynar  
E-F-160178

More from this range



Male Plug, Animal Free Polypropylene (Closed)  
E-F-160180



Male Plug, Clear Polycarbonate (Closed)  
E-F-160181

## Large Bore Luers

### E-F-210460 - Medical Nylon Large Bore Luer, Male Luer Lock to 3/16" (4.8mm) ID Tube, Cleanroom Manufactured

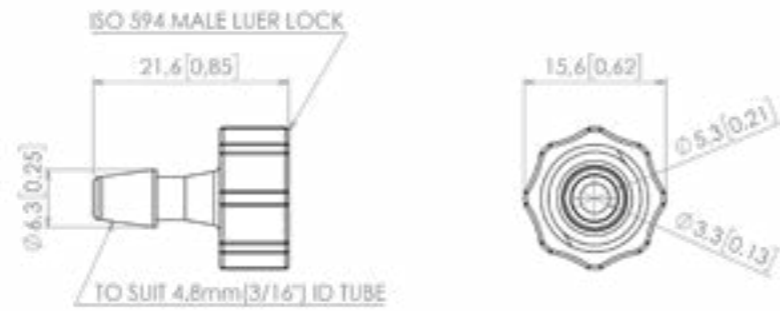


#### Technical Data

**Max. Inlet Pressure:** 8.62 bar (125 psi)  
**Connection 1:** 3/16" (4.8mm) ID Tube  
**Connection 2:** Male Luer Lock  
**Mounting Style:** In-line  
**Wetted Materials:** Medical Nylon  
**Non-wetted Materials:** Medical Nylon  
**Media/Ambient Temperature:** -46 to 135°C (-50 to 275°F)  
**RoHS/REACH Compliant:** Yes  
**Cleanroom Manufactured:** Class 7 Cleanroom  
**Regulatory Information:** Meets FDA 21 CFR 17.8.3297, California Prop. 65  
**Other Technical Data:** Medical Nylon male luer thread style with large bore to barb for 3/16" (4.8mm) ID tube.

Price starting from: £2.28

\*Larger quantity price breaks available



### E-F-210455 - Medical Nylon Large Bore Luer, Female Luer Lock to 3/16" (4.8mm) ID Tube, Cleanroom Manufactured

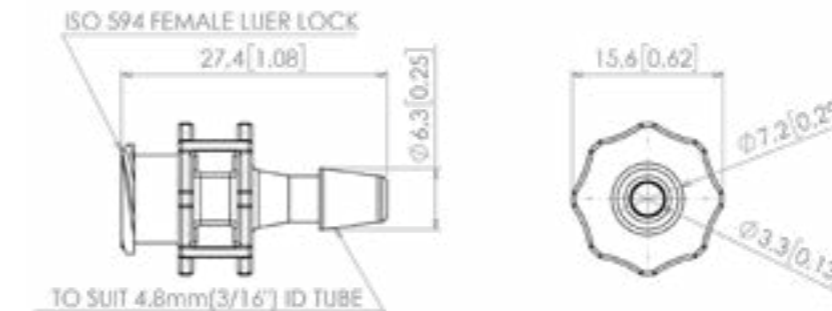
#### Technical Data

**Max. Inlet Pressure:** 8.62 bar (125 psi)  
**Connection 1:** 3/16" (4.8mm) ID Tube  
**Connection 2:** Female Luer Lock  
**Mounting Style:** In-line  
**Wetted Materials:** Medical Nylon  
**Non-wetted Materials:** Medical Nylon  
**Media/Ambient Temperature:** -46 to 135°C (-50 to 275°F)  
**RoHS/REACH Compliant:** Yes  
**Cleanroom Manufactured:** Class 7 cleanroom  
**Regulatory Information:** Meets FDA 21 CFR 17.8.3297, California Prop. 65  
**Other Technical Data:** Medical Nylon female luer thread style with large bore to barb for 3/16" (4.8mm) ID tube.



Price starting from: £2.13

\*Larger quantity price breaks available



#### More from this range



1/4" Bore Luer  
Medical Nylon  
E-F-210462



5/16" Bore Luer  
Medical Nylon  
E-F-210464



3/16" Bore Luer  
Animal Free Poly.  
E-F-210461



1/4" Bore Luer  
Animal Free Poly.  
E-F-210463



5/16" Bore Luer  
Animal Free Poly.  
E-F-210197

#### More from this range



5/16" Bore Luer  
Medical Nylon  
E-F-210459



1/4" Bore Luer  
Medical Nylon  
E-F-210457



3/16" Bore Luer  
Animal Free Poly.  
E-F-210456



1/4" Bore Luer  
Animal Free Poly.  
E-F-210458



5/16" Bore Luer  
Animal Free Poly.  
E-F-210126

# Metal Luers



## Metal luers

Eox offers a wide range of metal luers - commonly used in the Medical and Pharmaceutical markets where a valved connector is not required. The luer taper is a standardised system of small scale fluid fittings used for making leak-free connections between a male taper fitting and the mating female connection which are typically used on medical and laboratory instruments - including hypodermic syringe tips, needles or stopcocks.

Eox metal luers are offered in Stainless Steel and Nickel Plated Brass. We also offer ISO 80369-7 standard luers which ensures the reduction of misconnection and leaking within our metal range.

### Types of luers we offer:

#### Male Luers



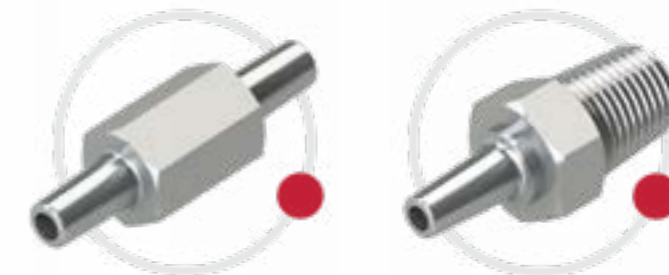
#### Female Luers



#### Panel Mount



#### Slip Luers



### Key features include:

- Optional style and size of connection
- RoHS and REACH compliant
- ISO 80369-7 available - contact us for more information



Soft tubing - 50-85 Shore A

E-F-171438 - 316 Stainless Steel Luer, Male Luer Lock to 1/16" (1.6mm) ID Tube

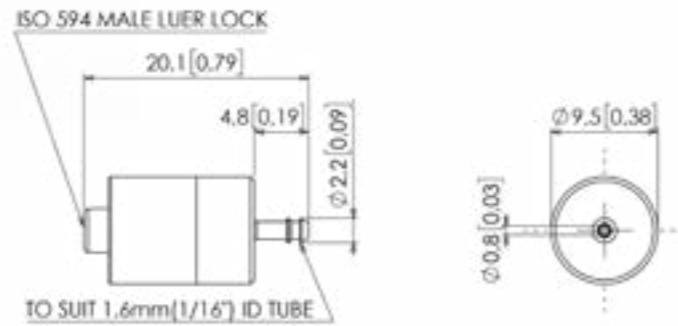


Technical Data

Max. Inlet Pressure: 3.1 bar (45 psi)  
 Connection 1: Male Luer Lock  
 Connection 2: 1/16" (1.6mm) ID Tube  
 Mounting Style: In-line  
 Wetted Materials: 316 Stainless Steel  
 Non-wetted Materials: 316 Stainless Steel  
 Media/Ambient Temperature: -40°C to 200°C (-40°F to 392°F)  
 RoHS/REACH Compliant: Yes  
 Cleanroom Manufactured: No  
 Regulatory Information: ISO 594  
**Other Technical Data:** A 316 Stainless Steel panel mount luer with male luer lock to barb for 1/16" (1.6mm) ID softer durometer tube. Suitable for compressed air and vacuum. The configurations are available on standard fittings.

Price starting from: £33.76

\*Larger quantity price breaks available



E-F-171322 - Nickel Plated Brass Luer, Male Luer Lock to 1/16" (1.6mm) ID Tube

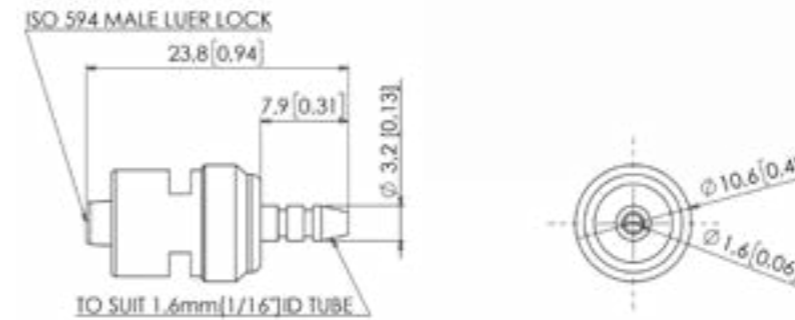
Technical Data

Max. Inlet Pressure: 3.1 bar (45 psi)  
 Connection 1: Male Luer Lock  
 Connection 2: 1/16" (1.6mm) ID Tube  
 Mounting Style: In-line  
 Wetted Materials: Nickel Plated Brass  
 Non-wetted Materials: Nickel Plated Brass  
 Media/Ambient Temperature: -40°C to 200°C (-40°F to 392°F)  
 RoHS/REACH Compliant: Yes  
 Cleanroom Manufactured: No  
 Regulatory Information: ISO 594  
**Other Technical Data:** A Nickel Plated Brass luer with male luer lock to barb for 1/16" (1.6mm) ID softer durometer tube. Suitable for compressed air and vacuum. The configurations are available on standard fittings.



Price starting from: £6.26

\*Larger quantity price breaks available



More from this range



Male Luer to 5/32" ID Tube  
E-F-171439



Male Luer to 5/16" ID Tube  
E-F-171440

More from this range



3/32" Male Luer Nickel Plated Brass  
E-F-171323



5/32" Male Luer Nickel Plated Brass  
E-F-171325



5/16" Male Luer Nickel Plated Brass  
E-F-171326

**E-F-171376 - Nickel Plated Brass Luer Coupler, Male Luer Lock (x2)**

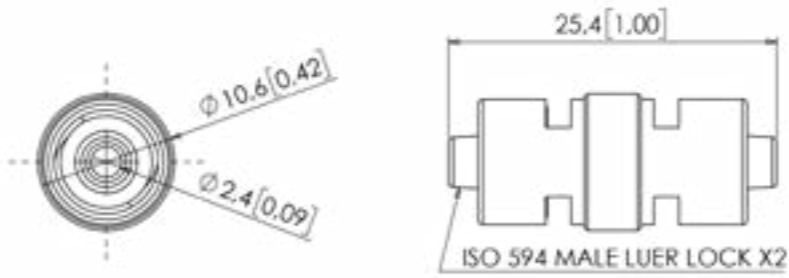


Price starting from: £11.78

\*Larger quantity price breaks available

**Technical Data**

Max. Inlet Pressure: 3.1 bar (45 psi)  
 Connections: Male Luer Lock (x2)  
 Mounting Style: In-line  
 Wetted Materials: Nickel Plated Brass  
 Non-wetted Materials: Nickel Plated Brass  
 Media/Ambient Temperature: -40°C to 200°C (-40°F to 392°F)  
 RoHS/REACH Compliant: Yes  
 Cleanroom Manufactured: No  
 Regulatory Information: ISO 594  
 Other Technical Data: A Nickel Plated Brass luer coupler with male luer lock (x2). Suitable for compressed air and vacuum.



**E-F-171390 - Nickel Plated Brass Rotating Luer, Male Luer Lock to 1/8" (3.2mm) ID Tube**

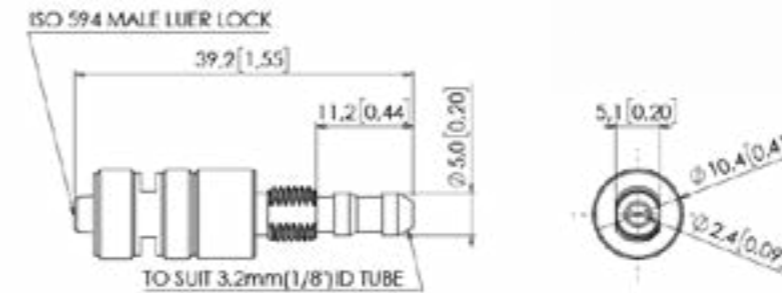


Price starting from: £15.02

\*Larger quantity price breaks available

**Technical Data**

Max. Inlet Pressure: 3.1 bar (45 psi)  
 Connection 1: Male Luer Lock  
 Connection 2: 1/8" (3.2mm) ID Tube  
 Mounting Style: In-line  
 Wetted Materials: Nickel Plated Brass  
 Non-wetted Materials: Nickel Plated Brass  
 Media/Ambient Temperature: -40°C to 200°C (-40°F to 392°F)  
 RoHS/REACH Compliant: Yes  
 Cleanroom Manufactured: No  
 Regulatory Information: ISO 594  
 Other Technical Data: A Nickel Plated Brass rotating luer with male luer lock to barb for 1/8" (3.2mm) ID softer durometer tube. Suitable for compressed air and vacuum. The configurations are available on standard fittings.



**E-F-171375 - Nickel Plated Brass Luer Coupler, Male Luer Lock to Female Luer Lock**

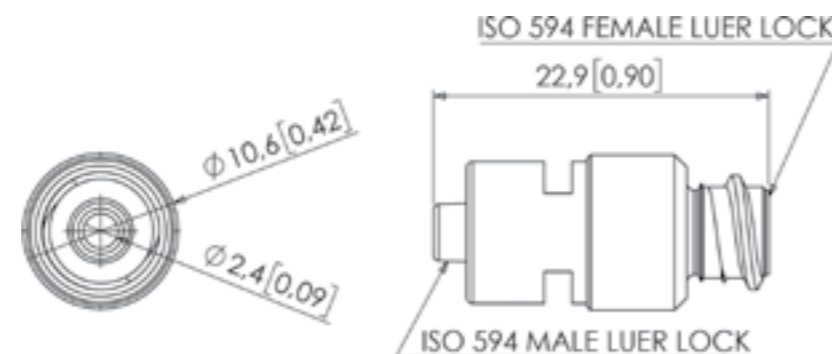


Price starting from: £9.42

\*Larger quantity price breaks available

**Technical Data**

Max. Inlet Pressure: 3.1 bar (45 psi)  
 Connection 1: Male Luer Lock  
 Connection 2: Female Luer Lock  
 Mounting Style: In-line  
 Wetted Materials: Nickel Plated Brass  
 Non-wetted Materials: Nickel Plated Brass  
 Media/Ambient Temperature: -40°C to 200°C (-40°F to 392°F)  
 RoHS/REACH Compliant: Yes  
 Cleanroom Manufactured: No  
 Regulatory Information: ISO 594  
 Other Technical Data: Suitable for compressed air and vacuum.



**More from this range**



Male Luer Lock to 1/16" ID Tube  
E-F-171391



Male Luer Lock to 5/32" ID Tube  
E-F-171385



Male Luer to 1/8" NPT Male Thread  
E-F-171386



Male Luer to 10-32 UNF Male Thread  
E-F-171387



Male Luer to 10-32 UNF Female Thread  
E-F-171388



Male Luer to 1/4-28 UNF Male Thread  
E-F-171389

## Threaded Male Luers

### E-F-171445 - 316 Stainless Steel Luer, Male Luer Lock to 1/8" NPT Male Thread

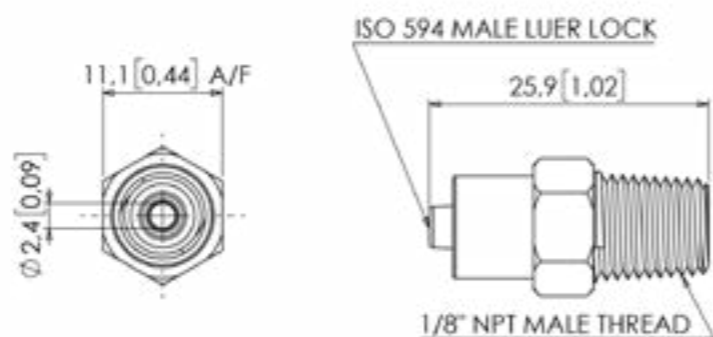


#### Technical Data

Max. Inlet Pressure: 3.1 bar (45 psi)  
 Connection 1: Female Luer Lock  
 Connection 2: 1/8" NPT Male Thread  
 Mounting Style: Threaded  
 Wetted Materials: 316 Stainless Steel  
 Non-wetted Materials: 316 Stainless Steel  
 Media/Ambient Temperature: -40°C to 200°C (-40°F to 392°F)  
 RoHS/REACH Compliant: Yes  
 Cleanroom Manufactured: No  
 Regulatory Information: ISO 594  
 Other Technical Data: A 316 Stainless Steel luer with Female Luer Lock to 1/8" NPT male thread. Suitable for compressed air and vacuum.

Price starting from: £36.76

\*Larger quantity price breaks available



### E-F-171343 - Nickel Plated Brass Luer, Male Luer Lock to 1/8" NPT Male Thread

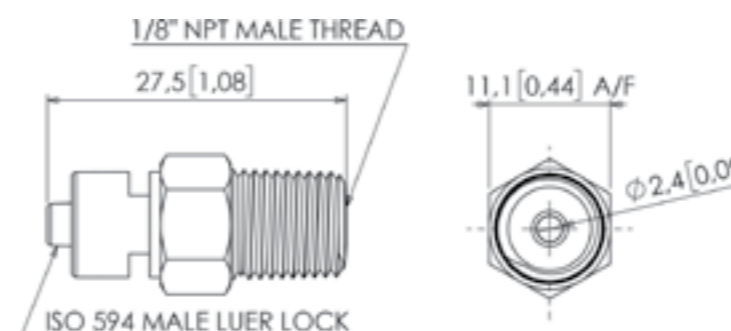
#### Technical Data

Max. Inlet Pressure: 3.1 bar (45 psi)  
 Connection 1: Male Luer Lock  
 Connection 2: 1/8" NPT Male Thread  
 Mounting Style: Threaded  
 Wetted Materials: Nickel Plated Brass  
 Non-wetted Materials: Nickel Plated Brass  
 Media/Ambient Temperature: -40°C to 200°C (-40°F to 392°F)  
 RoHS/REACH Compliant: Yes  
 Cleanroom Manufactured: No  
 Regulatory Information: ISO 594  
 Other Technical Data: Suitable for compressed air and vacuum.



Price starting from: £8.39

\*Larger quantity price breaks available



1/4" NPT Male Thread  
 E-F-171342



### More from this range



Male Luer to 1/4" NPT Male Thread  
 E-F-171444



Male Luer to 10-32 UNF Male Thread  
 E-F-171446



Male Luer to 1/4-28 UNF Male Thread  
 E-F-171448

### E-F-171358 - Nickel Plated Brass Luer, Male Luer Lock to 1/4-28 UNF Male Thread

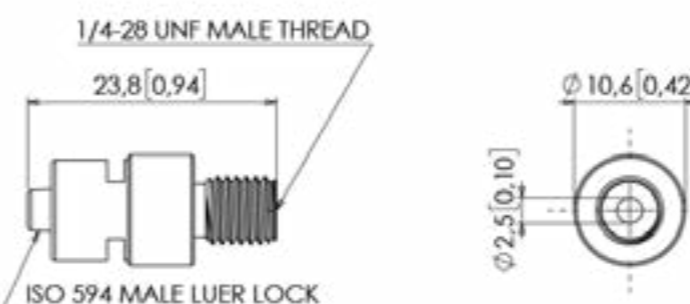
#### Technical Data

Max. Inlet Pressure: 3.1 bar (45 psi)  
 Connection 1: Male Luer Lock  
 Connection 2: 1/4-28 UNF Male Thread  
 Mounting Style: Threaded  
 Wetted Materials: Nickel Plated Brass  
 Non-wetted Materials: Nickel Plated Brass  
 Media/Ambient Temperature: -40°C to 200°C (-40°F to 392°F)  
 RoHS/REACH Compliant: Yes  
 Cleanroom Manufactured: No  
 Regulatory Information: ISO 594  
 Other Technical Data: A Nickel Plated Brass luer with male luer lock to 1/4-28 UNF male thread. Suitable for compressed air and vacuum.



Price starting from: £6.65

\*Larger quantity price breaks available



Male Luer Lock to 1/4-28 UNF Female Thread  
 E-F-171360



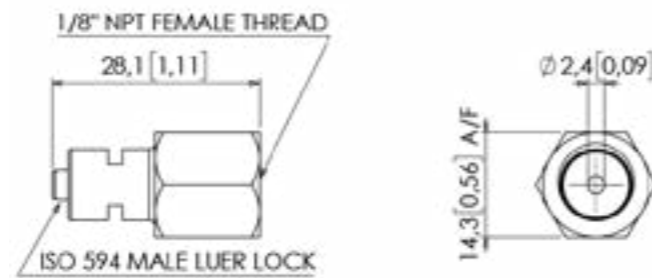
## Threaded Male Luers

### E-F-171351 - Nickel Plated Brass Luer, Male Luer Lock to 1/8" NPT Female Thread



#### Technical Data

**Max. Inlet Pressure:** 3.1 bar (45 psi)  
**Connection 1:** Male Luer Lock  
**Connection 2:** 1/8" NPT Female Thread  
**Mounting Style:** Threaded  
**Wetted Materials:** Nickel Plated Brass  
**Non-wetted Materials:** Nickel Plated Brass  
**Media/Ambient Temperature:** -40°C to 200°C (-40°F to 392°F)  
**RoHS/REACH Compliant:** Yes  
**Cleanroom Manufactured:** No  
**Regulatory Information:** ISO 594  
**Other Technical Data:** A Nickel Plated Brass luer with male luer lock to 1/8" NPT female thread. Suitable for compressed air and vacuum.



Price starting from: £9.33

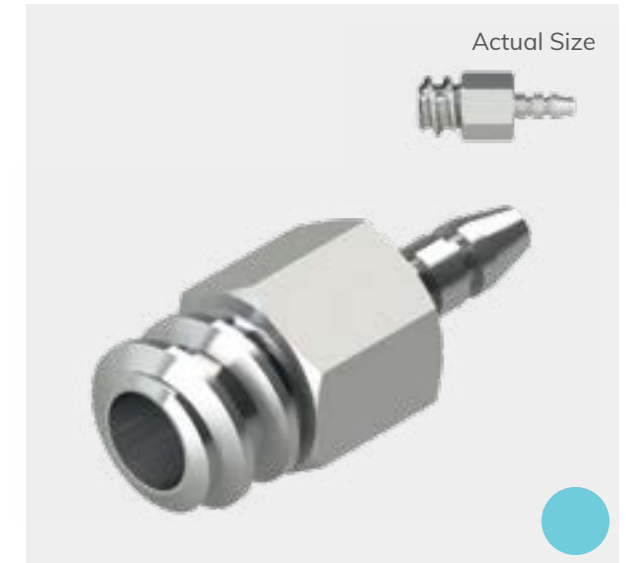
\*Larger quantity price breaks available

## Female Luers

### E-F-171397 - 316 Stainless Steel Luer, Female Luer Lock to 1/16" (1.6mm) ID Tube

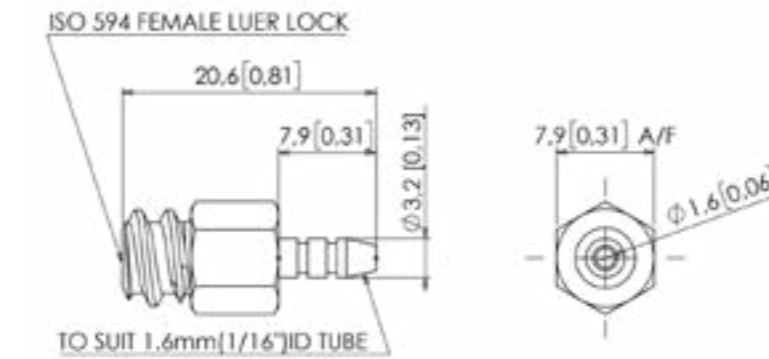
#### Technical Data

**Max. Inlet Pressure:** 3.1 bar (45 psi)  
**Connection 1:** Female Luer Lock  
**Connection 2:** 1/16" (1.6mm) ID Tube  
**Mounting Style:** In-line  
**Wetted Materials:** 316 Stainless Steel  
**Non-wetted Materials:** 316 Stainless Steel  
**Media/Ambient Temperature:** -40°C to 200°C (-40°F to 392°F)  
**RoHS/REACH Compliant:** Yes  
**Cleanroom Manufactured:** No  
**Regulatory Information:** ISO 594  
**Other Technical Data:** A 316 Stainless Steel female luer lock to barb for 1/16" (1.6mm) ID softer durometer tube. Suitable for compressed air and vacuum. The configurations are available on standard fittings.



Price starting from: £12.89

\*Larger quantity price breaks available



#### More from this range



Male Luer to 10-32 UNF Male Thread  
E-F-171349



Male Luer to 10-32 UNF Female Thread  
E-F-171350

#### More from this range



Female Luer to 1/16" ID Tube  
E-F-171398



Female Luer to 5/32" ID Tube  
E-F-171401



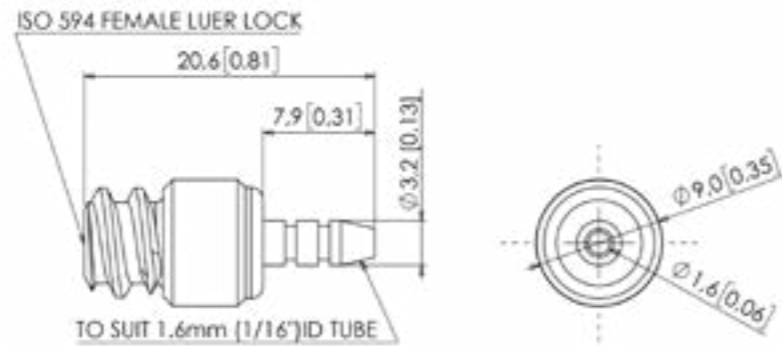
## Female Luers

### E-F-171328 - Nickel Plated Brass Luer, Female Luer Lock to 1/16" (1.6mm) ID Tube



#### Technical Data

Max. Inlet Pressure: 3.1 bar (45 psi)  
 Connection 1: Female Luer Lock  
 Connection 2: 1/16" (1.6mm) ID Tube  
 Mounting Style: In-line  
 Wetted Materials: Nickel Plated Brass  
 Non-wetted Materials: Nickel Plated Brass  
 Media/Ambient Temperature: -40°C to 200°C (-40°F to 392°F)  
 RoHS/REACH Compliant: Yes  
 Cleanroom Manufactured: No  
 Regulatory Information: ISO 594  
 Other Technical Data: A Nickel Plated Brass female luer lock to barb for 1/16" (1.6mm) ID softer durometer tube. Suitable for compressed air and vacuum. The configurations are available on standard fittings.



Price starting from: £4.58

\*Larger quantity price breaks available

## Threaded Female Luers

### E-F-171427 - 316 Stainless Steel Valved Luer, Silicone Seal, Female Luer Lock to 1/8" NPT Male Thread

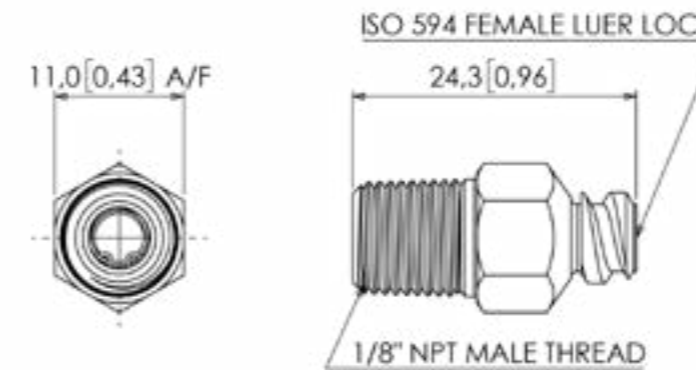
#### Technical Data

Max. Inlet Pressure: 3.1 bar (45 psi)  
 Connection 1: Female Luer Lock  
 Connection 2: 1/8" NPT Male Thread  
 Mounting Style: Threaded  
 Wetted Materials: 316 Stainless Steel, Silicone, 302 Stainless Steel  
 Non-wetted Materials: 316 Stainless Steel  
 Media/Ambient Temperature: -40°C to 200°C (-40°F to 392°F)  
 RoHS/REACH Compliant: Yes  
 Cleanroom Manufactured: No  
 Regulatory Information: ISO 594  
 Other Technical Data: A 316 Stainless Steel valved luer with 1/8" NPT male Thread to female luer lock, complete with Silicone o-ring and 302 Stainless Steel spring. Valve open only when connected to male luer lock.



Price starting from: £31.55

\*Larger quantity price breaks available



### More from this range



3/32" Female Luer  
 Nickel Plated Brass  
 E-F-171330



5/32" Female Luer  
 Nickel Plated Brass  
 E-F-171332

### E-F-171420 - 316 Stainless Steel Luer, Female Luer Lock to 10-32 UNF Female Thread

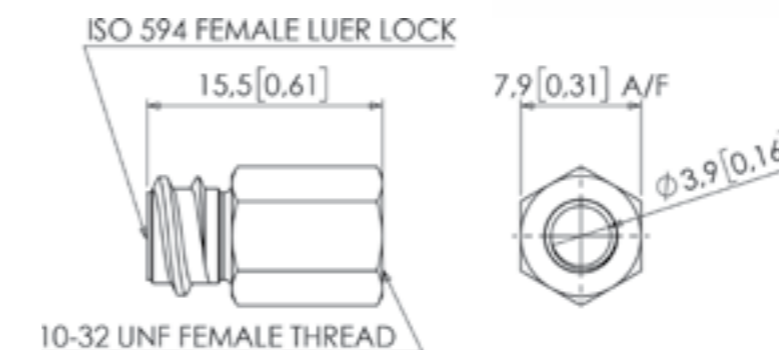
#### Technical Data

Max. Inlet Pressure: 3.1 bar (45 psi)  
 Connection 1: Female Luer Lock  
 Connection 2: 10-32 UNF Female Thread  
 Mounting Style: Threaded  
 Wetted Materials: 316 Stainless Steel  
 Non-wetted Materials: 316 Stainless Steel  
 Media/Ambient Temperature: -40°C to 200°C (-40°F to 392°F)  
 RoHS/REACH Compliant: Yes  
 Cleanroom Manufactured: No  
 Regulatory Information: ISO 594  
 Other Technical Data: Suitable for compressed air and vacuum.



Price starting from: £13.68

\*Larger quantity price breaks available



**E-F-171415 - 316 Stainless Steel Female Luer Thread to 1/8" NPT Male Thread**

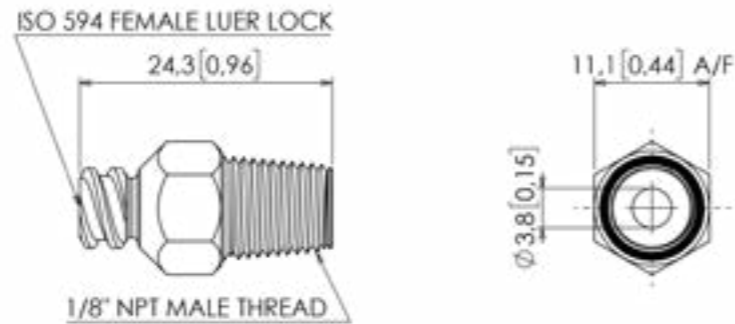


**Technical Data**

Max. Inlet Pressure: 3.1 bar (45 psi)  
 Connection 1: Female Luer Lock  
 Connection 2: 1/8" NPT Male Thread  
 Mounting Style: Threaded  
 Wetted Materials: 316 Stainless Steel  
 Non-wetted Materials: 316 Stainless Steel  
 Media/Ambient Temperature: -40°C to 200°C (-40°F to 392°F)  
 RoHS/REACH Compliant: Yes  
 Cleanroom Manufactured: No  
 Regulatory Information: ISO 594  
 Other Technical Data: A 316 Stainless Steel Female Luer Lock to 1/8" NPT male thread. Suitable for compressed air and vacuum.

Price starting from: £18.74

\*Larger quantity price breaks available



**E-F-171355 - Nickel Plated Brass Luer, Female Luer Lock to 10-32 UNF Male Thread**

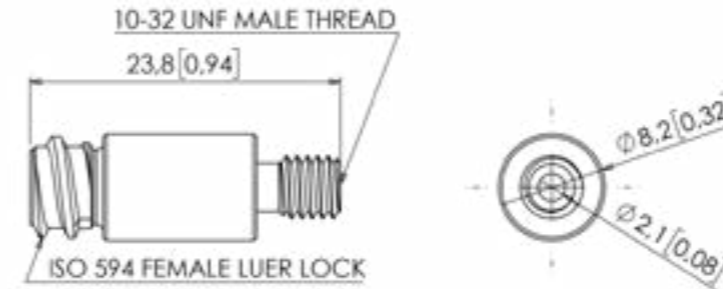


**Technical Data**

Max. Inlet Pressure: 3.1 bar (45 psi)  
 Connection 1: Female Luer Lock  
 Connection 2: 10-32 UNF Male Thread  
 Mounting Style: Threaded  
 Wetted Materials: Nickel Plated Brass  
 Non-wetted Materials: Nickel Plated Brass  
 Media/Ambient Temperature: -40°C to 200°C (-40°F to 392°F)  
 RoHS/REACH Compliant: Yes  
 Cleanroom Manufactured: No  
 Regulatory Information: ISO 594  
 Other Technical Data: A Nickel Plated Brass female luer lock to 10-32 UNF male thread. Suitable for compressed air and vacuum.

Price starting from: £5.55

\*Larger quantity price breaks available



**More from this range**



Female Luer to 1/4" NPT Male Thread  
E-F-171417



Female Luer to 10-32 UNF Male Thread  
E-F-171422



Female luer to 1/4-28 UNF Male Thread  
E-F-171424

**More from this range**



Female Luer to 1/4-28 UNF Male Thread  
E-F-171353



Female Luer to 10-32 UNF Female Thread  
E-F-171357

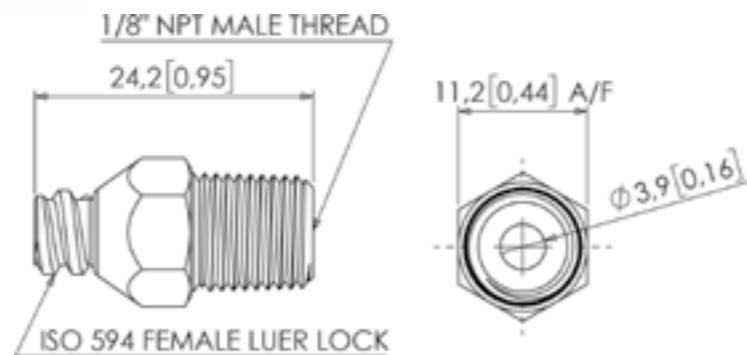
## Female Threaded Luers

### E-F-171345 - Nickel Plated Brass Luer, Female Luer Lock to 1/8" NPT Male Thread



#### Technical Data

Max. Inlet Pressure: 3.1 bar (45 psi)  
 Connection 1: Female Luer Lock  
 Connection 2: 1/8" NPT Male Thread  
 Mounting Style: Threaded  
 Wetted Materials: Nickel Plated Brass  
 Non-wetted Materials: Nickel Plated Brass  
 Media/Ambient Temperature: -40°C to 200°C (-40°F to 392°F)  
 RoHS/REACH Compliant: Yes  
 Cleanroom Manufactured: No  
 Regulatory Information: ISO 594  
 Other Technical Data: Suitable for compressed air and vacuum.



Price starting from: £7.26

\*Larger quantity price breaks available

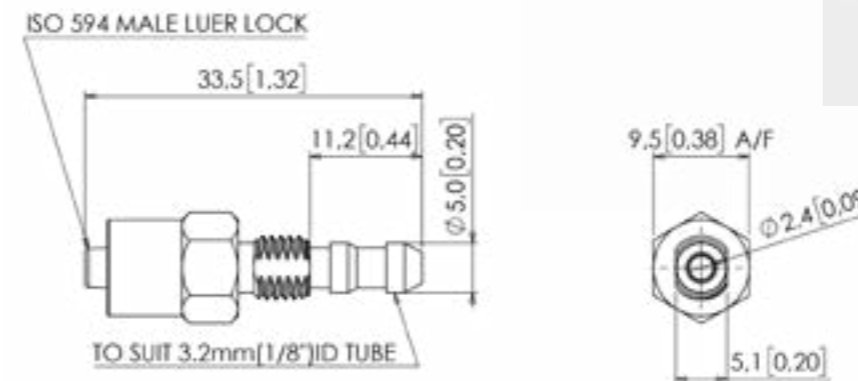
## Panel Mounts

### E-F-171441 - 316 Stainless Steel Panel Mount Luer, Male Luer Lock to 1/8" (3.2mm) ID Tube



#### Technical Data

Max. Inlet Pressure: 3.1 bar (45 psi)  
 Connection 1: Male Luer Lock  
 Connection 2: 1/8" (3.2mm) ID Tube  
 Mounting Style: Panel Mount  
 Wetted Materials: 316 Stainless Steel  
 Non-wetted Materials: 316 Stainless Steel  
 Media/Ambient Temperature: -40°C to 200°C (-40°F to 392°F)  
 RoHS/REACH Compliant: Yes  
 Cleanroom Manufactured: No  
 Regulatory Information: ISO 594  
 Other Technical Data: A 316 Stainless Steel panel mount luer with male luer lock to barb for 1/8" (3.2mm) ID tube with 1/4"-32 thread.



Price starting from: £33.60

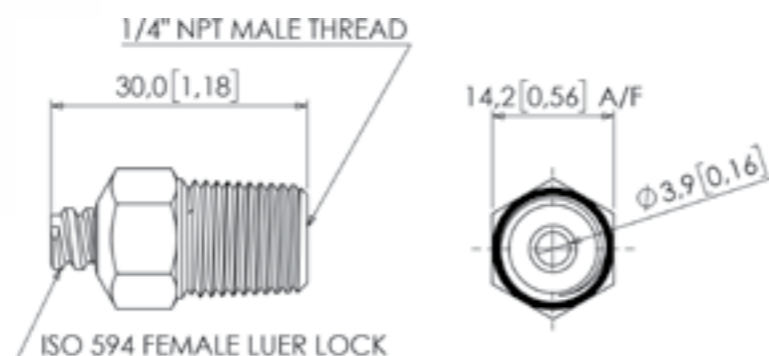
\*Larger quantity price breaks available

### E-F-171348 - Nickel Plated Brass Luer, Female Luer Lock to 1/4" NPT Male Thread



#### Technical Data

Max. Inlet Pressure: 3.1 bar (45 psi)  
 Connection 1: Female Luer Lock  
 Connection 2: 1/4" NPT Male Thread  
 Mounting Style: Threaded  
 Wetted Materials: Nickel Plated Brass  
 Non-wetted Materials: Nickel Plated Brass  
 Media/Ambient Temperature: -40°C to 200°C (-40°F to 392°F)  
 RoHS/REACH Compliant: Yes  
 Cleanroom Manufactured: No  
 Regulatory Information: ISO 594  
 Other Technical Data: Suitable for compressed air and vacuum.



Price starting from: £8.07

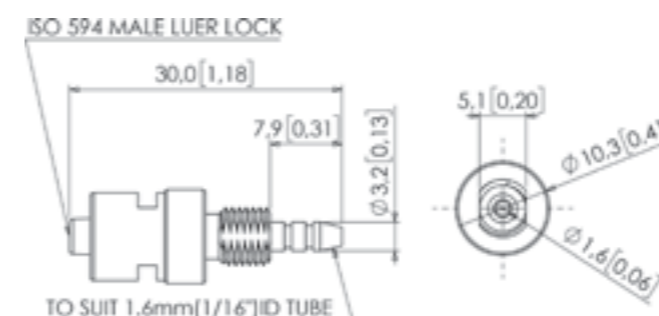
\*Larger quantity price breaks available

### E-F-171366 - Nickel Plated Brass Panel Mount Luer, Male Luer Lock to 1/16" (1.6mm) ID Tube



#### Technical Data

Max. Inlet Pressure: 3.1 bar (45 psi)  
 Connection 1: Male Luer Lock  
 Connection 2: 1/16" (1.6mm) ID Tube  
 Mounting Style: Panel Mount  
 Wetted Materials: Nickel Plated Brass  
 Non-wetted Materials: Nickel Plated Brass, 410 Stainless Steel  
 Media/Ambient Temperature: -40°C to 200°C (-40°F to 392°F)  
 RoHS/REACH Compliant: Yes  
 Cleanroom Manufactured: No  
 Regulatory Information: ISO 594  
 Other Technical Data: Supplied with 410 Stainless Steel 1-1/4" shakeproof internal lock washer and Nickel Plated Brass nut. Suitable for compressed air and vacuum. The tube inside diameter range represents a push-on assembly. Using tube expanding equipment or an external mechanical grip the range may be expanded.



Price starting from: £7.98

\*Larger quantity price breaks available

1/8" (3.2mm)  
E-F-171363



**E-F-171407 - 316 Stainless Steel Panel Mount Luer, Female Luer Lock to 1/8" (3.2mm) ID Tube**

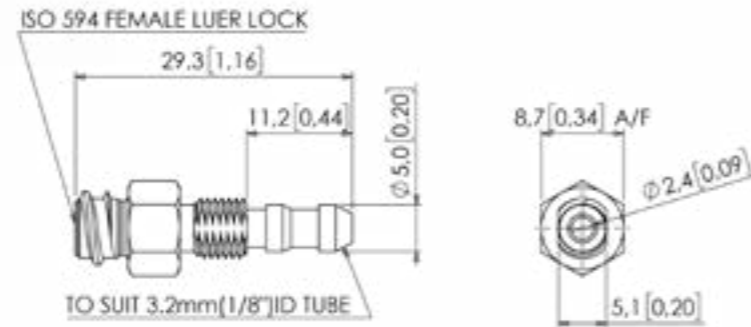


Price starting from: £16.45

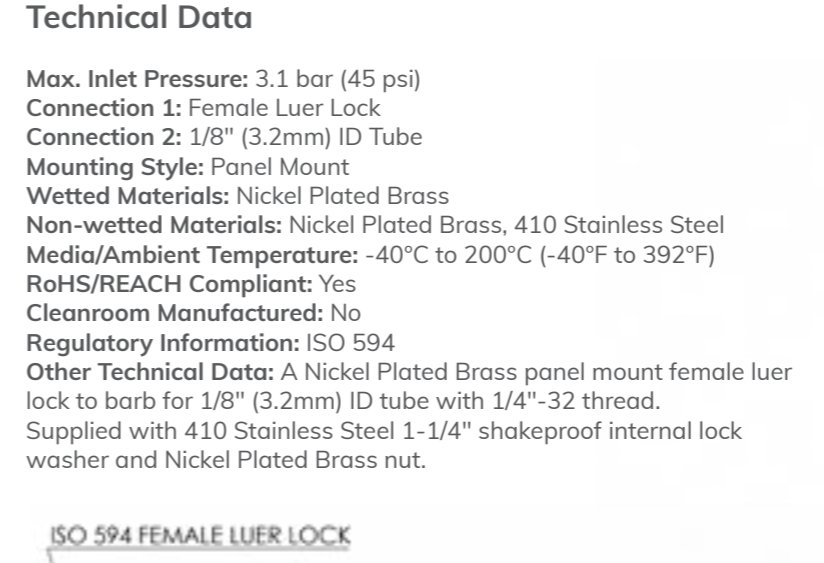
\*Larger quantity price breaks available

**Technical Data**

Max. Inlet Pressure: 3.1 bar (45 psi)  
 Connection 1: Female Luer Lock  
 Connection 2: 1/8" (3.2mm) ID Tube  
 Mounting Style: Panel Mount  
 Wetted Materials: 316 Stainless Steel  
 Non-wetted Materials: 316 Stainless Steel  
 Media/Ambient Temperature: -40°C to 200°C (-40°F to 392°F)  
 RoHS/REACH Compliant: Yes  
 Cleanroom Manufactured: No  
 Regulatory Information: ISO 594  
 Other Technical Data: A 316 Stainless Steel panel mount luer with female luer lock to barb for 1/8" (3.2mm) ID tube with 1/4"-32 thread. Suitable for compressed air and vacuum.



**E-F-171369 - Nickel Plated Brass Panel Mount Luer, Female Luer Lock to 1/8" (3.2mm) ID Tube**

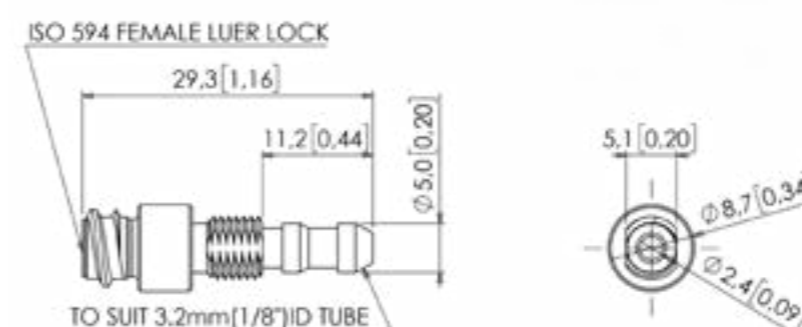


Price starting from: £6.55

\*Larger quantity price breaks available

**Technical Data**

Max. Inlet Pressure: 3.1 bar (45 psi)  
 Connection 1: Female Luer Lock  
 Connection 2: 1/8" (3.2mm) ID Tube  
 Mounting Style: Panel Mount  
 Wetted Materials: Nickel Plated Brass  
 Non-wetted Materials: Nickel Plated Brass, 410 Stainless Steel  
 Media/Ambient Temperature: -40°C to 200°C (-40°F to 392°F)  
 RoHS/REACH Compliant: Yes  
 Cleanroom Manufactured: No  
 Regulatory Information: ISO 594  
 Other Technical Data: A Nickel Plated Brass panel mount female luer lock to barb for 1/8" (3.2mm) ID tube with 1/4"-32 thread. Supplied with 410 Stainless Steel 1-1/4" shakeproof internal lock washer and Nickel Plated Brass nut.



**E-F-171410 - 316 Stainless Steel Panel Mount Luer, Female Luer Lock to 1/16" (1.6mm) ID Tube**

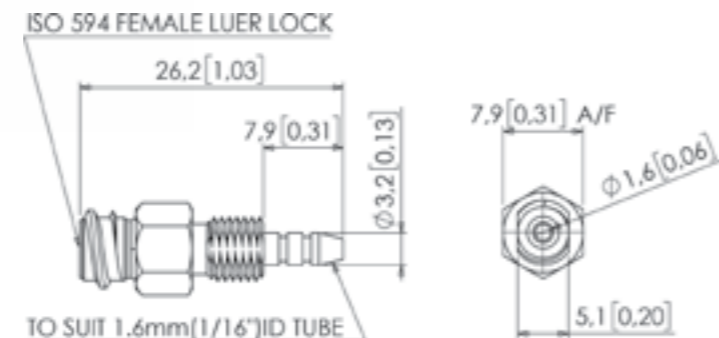


Price starting from: £17.24

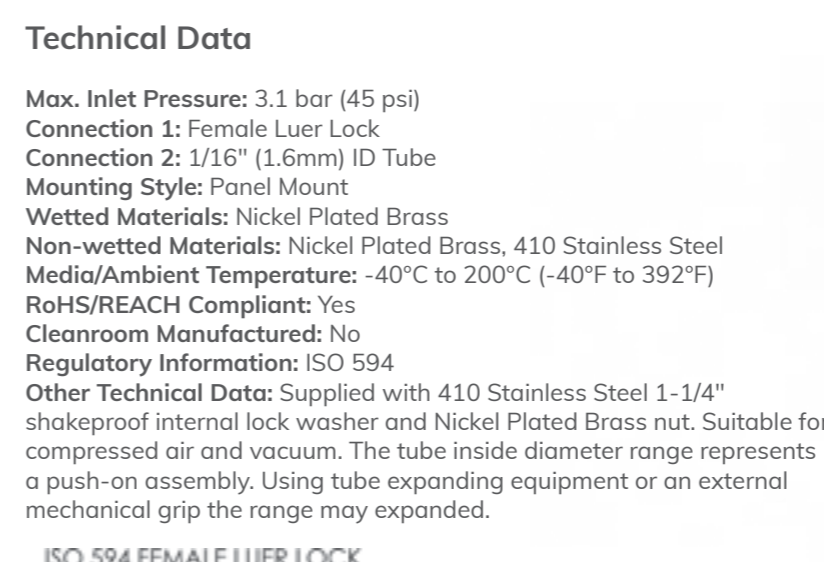
\*Larger quantity price breaks available

**Technical Data**

Max. Inlet Pressure: 3.1 bar (45 psi)  
 Connection 1: Female Luer Lock  
 Connection 2: 1/16" (1.6mm) ID Tube  
 Mounting Style: Panel Mount  
 Wetted Materials: Nickel Plated Brass, 316 Stainless Steel  
 Non-wetted Materials: Nickel Plated Brass, 316 Stainless Steel  
 Media/Ambient Temperature: -40°C to 200°C (-40°F to 392°F)  
 RoHS/REACH Compliant: Yes  
 Cleanroom Manufactured: No  
 Regulatory Information: ISO 594  
 Other Technical Data: Supplied with 316 Stainless Steel 1-1/4" shakeproof internal lock washer and Nickel Plated Brass nut. Suitable for compressed air and vacuum. The tube inside diameter range represents a push-on assembly. Using tube expanding equipment or an external mechanical grip the range may be expanded.



**E-F-171373 - Nickel Plated Brass Panel Mount Luer, Female Luer Lock to 1/16" (1.6mm) ID Tube**

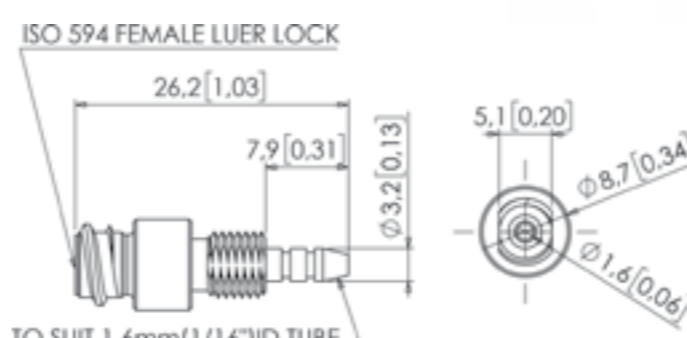


Price starting from: £6.55

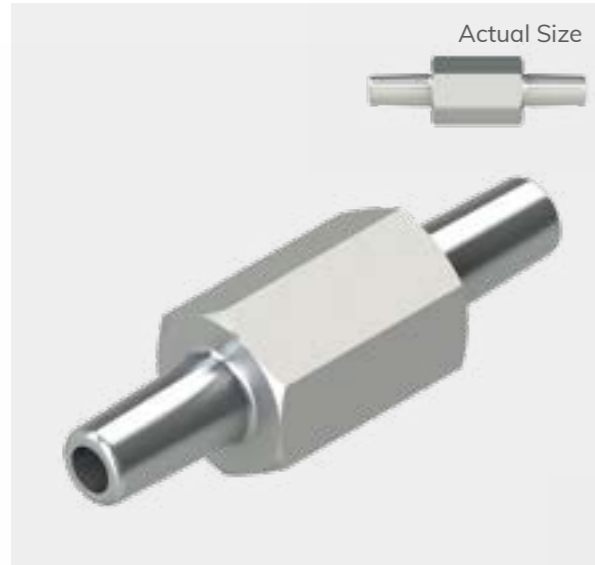
\*Larger quantity price breaks available

**Technical Data**

Max. Inlet Pressure: 3.1 bar (45 psi)  
 Connection 1: Female Luer Lock  
 Connection 2: 1/16" (1.6mm) ID Tube  
 Mounting Style: Panel Mount  
 Wetted Materials: Nickel Plated Brass  
 Non-wetted Materials: Nickel Plated Brass, 410 Stainless Steel  
 Media/Ambient Temperature: -40°C to 200°C (-40°F to 392°F)  
 RoHS/REACH Compliant: Yes  
 Cleanroom Manufactured: No  
 Regulatory Information: ISO 594  
 Other Technical Data: Supplied with 410 Stainless Steel 1-1/4" shakeproof internal lock washer and Nickel Plated Brass nut. Suitable for compressed air and vacuum. The tube inside diameter range represents a push-on assembly. Using tube expanding equipment or an external mechanical grip the range may be expanded.

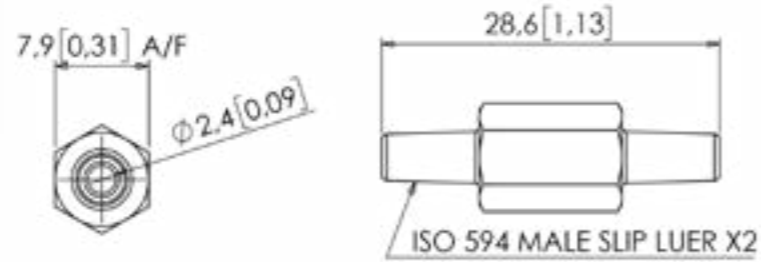


**E-F-171433 - 316 Stainless Steel Luer Coupler, Male Slip Luer (x2)**



**Technical Data**

Max. Inlet Pressure: 3.1 bar (45 psi)  
 Connections: Male Slip Luer (x2)  
 Mounting Style: In-line  
 Wetted Materials: 316 Stainless Steel  
 Non-wetted Materials: 316 Stainless Steel  
 Media/Ambient Temperature: -40°C to 200°C (-40°F to 392°F)  
 RoHS/REACH Compliant: Yes  
 Cleanroom Manufactured: No  
 Regulatory Information: ISO 594  
 Other Technical Data: A 316 Stainless Steel luer coupler with male slip luer (x2). Suitable for compressed air and vacuum.



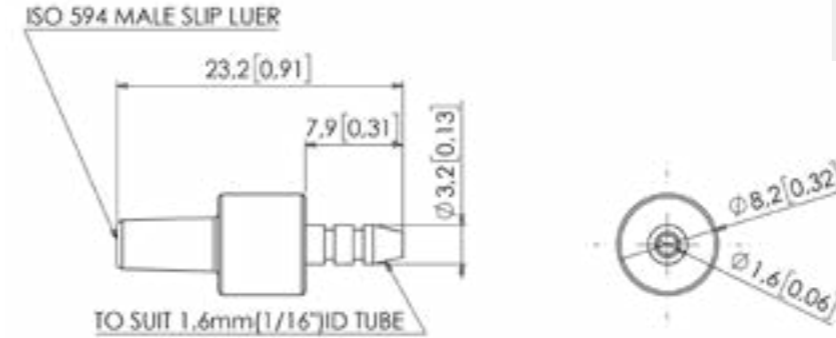
Price starting from: £13.76

\*Larger quantity price breaks available

**E-F-171336 - Nickel Plated Brass Luer, Male Slip Luer to 1/16" (1.6mm) ID Tube**

**Technical Data**

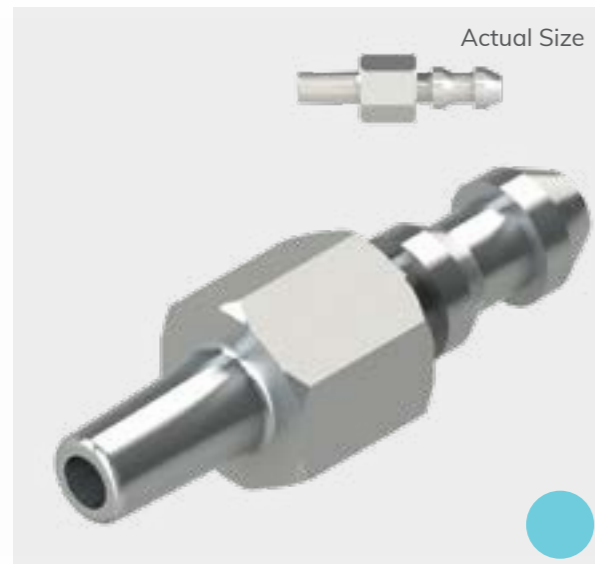
Max. Inlet Pressure: 3.1 bar (45 psi)  
 Connection 1: Male Slip Luer  
 Connection 2: 1/16" (1.6mm) ID Tube  
 Mounting Style: In-line  
 Wetted Materials: Nickel Plated Brass  
 Non-wetted Materials: Nickel Plated Brass  
 Media/Ambient Temperature: -40°C to 200°C (-40°F to 392°F)  
 RoHS/REACH Compliant: Yes  
 Cleanroom Manufactured: No  
 Regulatory Information: ISO 594  
 Other Technical Data: A Nickel Plated Brass luer with male slip luer to barb for 1/16" (1.6mm) ID softer durometer tube. Suitable for compressed air and vacuum. The configurations are available on standard fittings.



Price starting from: £3.96

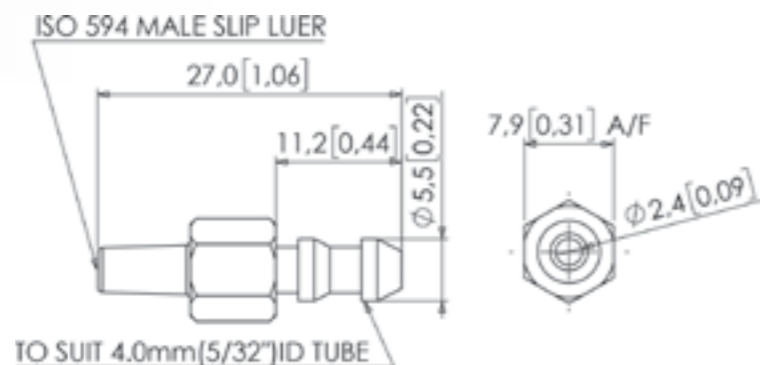
\*Larger quantity price breaks available

**E-F-171402 - 316 Stainless Steel Luer, Male Slip Luer to 5/32" (4.0mm) ID Tube**



**Technical Data**

Max. Inlet Pressure: 3.1 bar (45 psi)  
 Connection 1: Male Slip Luer  
 Connection 2: To suit 5/32" (4.0mm) ID Tube  
 Mounting Style: In-line  
 Wetted Materials: 316 Stainless Steel  
 Non-wetted Materials: 316 Stainless Steel  
 Media/Ambient Temperature: -40°C to 200°C (-40°F to 392°F)  
 RoHS/REACH Compliant: Yes  
 Cleanroom Manufactured: No  
 Regulatory Information: ISO 594  
 Other Technical Data: Suitable for compressed air and vacuum. The tube inside diameter range represents a push-on assembly. Using tube expanding equipment or an external mechanical grip the range may be expanded.



Price starting from: £12.25

\*Larger quantity price breaks available

**More from this range**



3/32" Male Slip Nickel Plated Brass  
E-F-171337



1/16" Male Slip Nickel Plated Brass  
E-F-171338



5/32" Male Slip Nickel Plated Brass  
E-F-171339



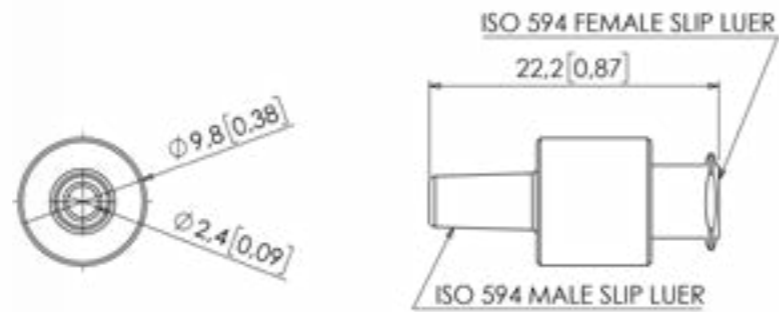
5/16" Male Slip Nickel Plated Brass  
E-F-171340

**E-F-171377 - Nickel Plated Brass Luer Coupler, Male Slip Luer to Female Slip Luer**



**Technical Data**

Max. Inlet Pressure: 3.1 bar (45 psi)  
 Connection 1: Male Slip Luer  
 Connection 2: Female Slip Luer  
 Mounting Style: In-line  
 Wetted Materials: Nickel Plated Brass  
 Non-wetted Materials: Nickel Plated Brass  
 Media/Ambient Temperature: -40°C to 200°C (-40°F to 392°F)  
 RoHS/REACH Compliant: Yes  
 Cleanroom Manufactured: No  
 Regulatory Information: ISO 594  
 Other Technical Data: A Nickel Plated Brass luer coupler with male slip luer to female slip luer. Suitable for compressed air and vacuum.



Price starting from: £4.90

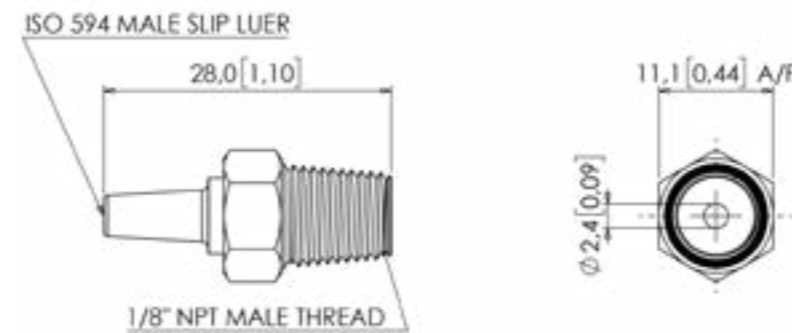
\*Larger quantity price breaks available

**E-F-171416 - 316 Stainless Steel Luer, Male Slip Luer to 1/8" NPT Male Thread**



**Technical Data**

Max. Inlet Pressure: 3.1 bar (45 psi)  
 Connection 1: Male Slip Luer  
 Connection 2: 1/8" NPT Male Thread  
 Mounting Style: Threaded  
 Wetted Materials: 316 Stainless Steel  
 Non-wetted Materials: 316 Stainless Steel  
 Media/Ambient Temperature: -40°C to 200°C (-40°F to 392°F)  
 RoHS/REACH Compliant: Yes  
 Cleanroom Manufactured: No  
 Regulatory Information: ISO 594,  
 Other Technical Data: A 316 Stainless Steel luer with male slip luer to 1/8" NPT male thread. Suitable for compressed air and vacuum.



Price starting from: £19.45

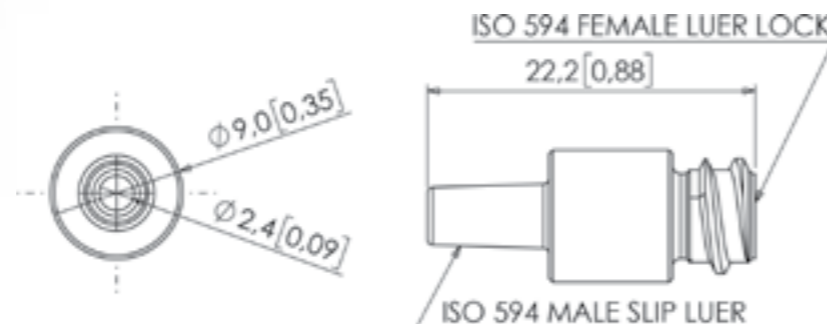
\*Larger quantity price breaks available

**E-F-171378 - Nickel Plated Brass Luer Coupler, Male Slip Luer to Female Luer Lock**



**Technical Data**

Max. Inlet Pressure: 3.1 bar (45 psi)  
 Connection 1: Male Slip Luer  
 Connection 2: Female Luer Lock  
 Mounting Style: In-line  
 Wetted Materials: Nickel Plated Brass  
 Non-wetted Materials: Nickel Plated Brass  
 Media/Ambient Temperature: -40°C to 200°C (-40°F to 392°F)  
 RoHS/REACH Compliant: Yes  
 Cleanroom Manufactured: No  
 Regulatory Information: ISO 594  
 Other Technical Data: Suitable for compressed air and vacuum.



Price starting from: £5.68

\*Larger quantity price breaks available

**More from this range**



Male Slip to 1/4" NPT Male Thread  
**E-F-171411**



Male Slip to 10-32 UNF Male Thread  
**E-F-171426**

## Accessories - Slip Luers

### E-F-171359 - Nickel Plated Brass Luer, Male Slip Luer to 10-32 UNF Male Thread

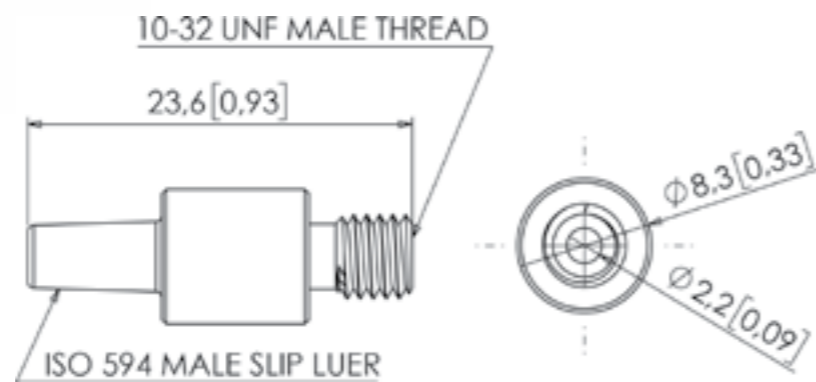


Price starting from: £4.58

\*Larger quantity price breaks available

#### Technical Data

Max. Inlet Pressure: 3.1 bar (45 psi)  
 Connection 1: Male Slip Luer  
 Connection 2: 10-32 UNF Male Thread  
 Mounting Style: Threaded  
 Wetted Materials: Nickel Plated Brass  
 Non-wetted Materials: Nickel Plated Brass  
 Media/Ambient Temperature: -40°C to 200°C (-40°F to 392°F)  
 RoHS/REACH Compliant: Yes  
 Cleanroom Manufactured: No  
 Regulatory Information: ISO 594  
 Other Technical Data: Suitable for compressed air and vacuum.



## Accessories - Panel Mount Slip Luers

### E-F-171364 - Nickel Plated Brass Panel Mount Luer, Male Slip Luer to 1/8" (3.2mm) ID Tube

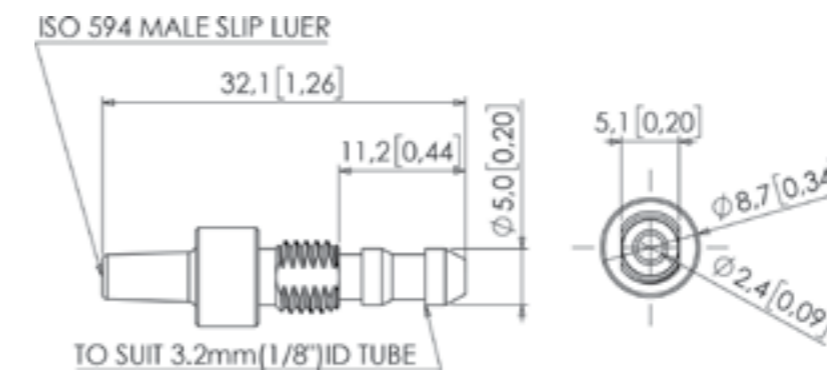


Price starting from: £6.26

\*Larger quantity price breaks available

#### Technical Data

Max. Inlet Pressure: 3.1 bar (45 psi)  
 Connection 1: Male Slip Luer  
 Connection 2: 1/8" (3.2mm) ID Tube  
 Mounting Style: Panel Mount  
 Wetted Materials: Nickel Plated Brass  
 Non-wetted Materials: Nickel Plated Brass, 410 Stainless Steel  
 Media/Ambient Temperature: -40°C to 200°C (-40°F to 392°F)  
 RoHS/REACH Compliant: Yes  
 Cleanroom Manufactured: No  
 Regulatory Information: ISO 594  
 Other Technical Data: Supplied with 410 Stainless Steel 1-1/4" shakeproof internal lock washer and Nickel Plated Brass nut. Suitable for compressed air and vacuum. The tube inside diameter range represents a push-on assembly. Using tube expanding equipment or an external mechanical grip the range may be expanded.



### E-F-171346 - Nickel Plated Brass Luer, Male Slip Luer to 1/8" NPT Male Thread

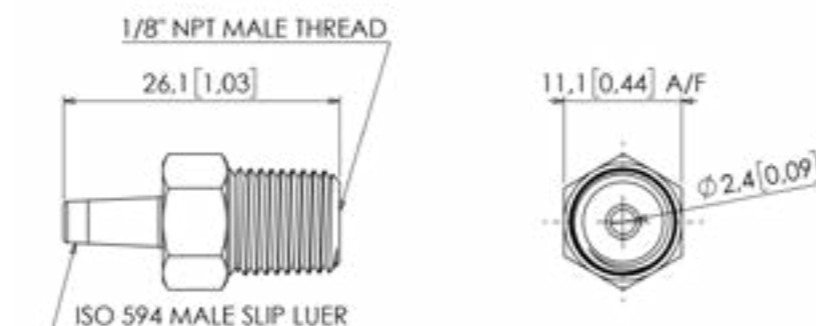


Price starting from: £6.97

\*Larger quantity price breaks available

#### Technical Data

Max. Inlet Pressure: 3.1 bar (45 psi)  
 Connection 1: Male Slip Luer  
 Connection 2: 1/8" NPT Male Thread  
 Mounting Style: Threaded  
 Wetted Materials: Nickel Plated Brass  
 Non-wetted Materials: Nickel Plated Brass  
 Media/Ambient Temperature: -40°C to 200°C (-40°F to 392°F)  
 RoHS/REACH Compliant: Yes  
 Cleanroom Manufactured: No  
 Regulatory Information: ISO 594  
 Other Technical Data: A Nickel Plated Brass luer with male slip luer to 1/8" NPT male thread.



### E-F-171367 - Nickel Plated Brass Panel Mount Luer, Male Slip Luer to 1/16" (1.6mm) ID Tube

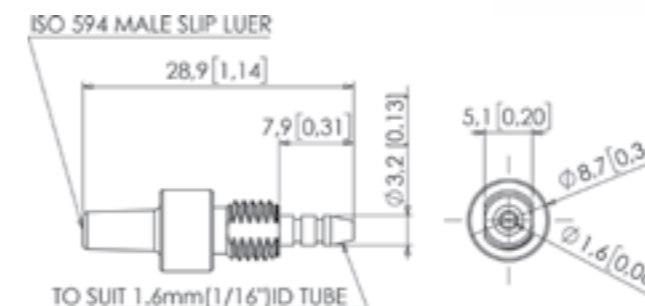


Price starting from: £6.26

\*Larger quantity price breaks available

#### Technical Data

Max. Inlet Pressure: 3.1 bar (45 psi)  
 Connection 1: Male Slip Luer  
 Connection 2: 1/16" (1.6mm) ID Tube  
 Mounting Style: Panel Mount  
 Wetted Materials: Nickel Plated Brass  
 Non-wetted Materials: Nickel Plated Brass, 410 Stainless Steel  
 Media/Ambient Temperature: -40°C to 200°C (-40°F to 392°F)  
 RoHS/REACH Compliant: Yes  
 Cleanroom Manufactured: No  
 Regulatory Information: ISO 594  
 Other Technical Data: Supplied with 410 Stainless Steel 1-1/4" shakeproof internal lock washer and Nickel Plated Brass nut. Suitable for compressed air and vacuum. The tube inside diameter range represents a push-on assembly. Using tube expanding equipment or an external mechanical grip the range may be expanded.



1/4" Male Slip  
E-F-171341

**E-F-171432 - 316 Stainless Steel Luer Coupler, Female Slip Luer (x2)**

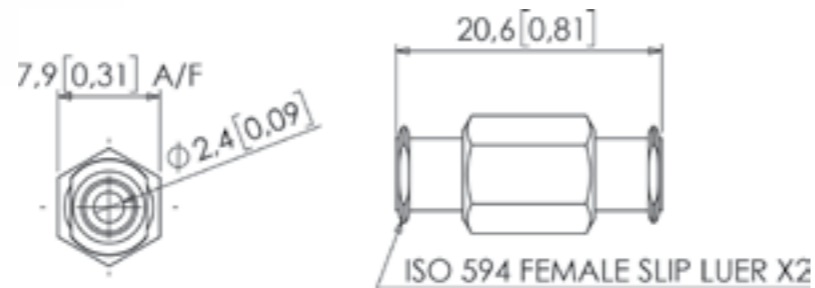


Price starting from: £15.02

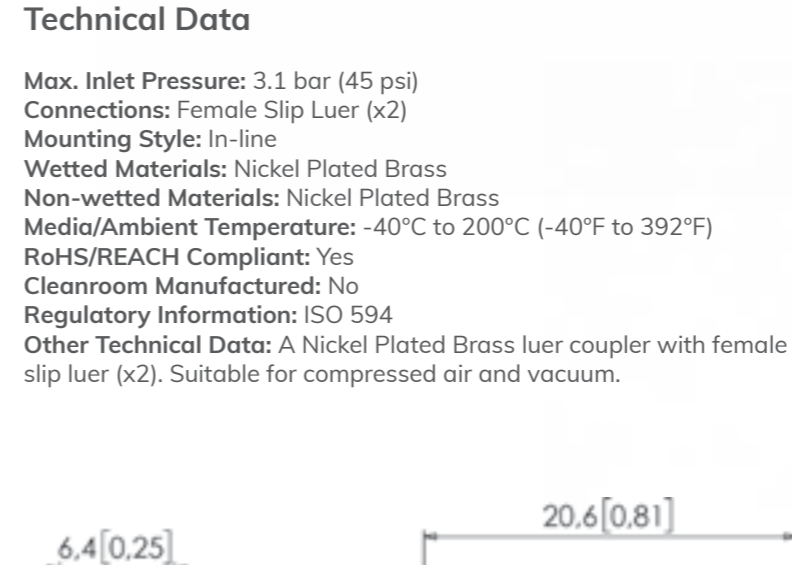
\*Larger quantity price breaks available

**Technical Data**

Max. Inlet Pressure: 3.1 bar (45 psi)  
 Connections: Female Slip Luer (x2)  
 Mounting Style: In-line  
 Wetted Materials: 316 Stainless Steel  
 Non-wetted Materials: 316 Stainless Steel  
 Media/Ambient Temperature: -40°C to 200°C (-40°F to 392°F)  
 RoHS/REACH Compliant: Yes  
 Cleanroom Manufactured: No  
 Regulatory Information: ISO 594  
 Other Technical Data: A 316 Stainless Steel luer coupler with female slip luer (x2). Suitable for compressed air and vacuum.lock.



**E-F-171379 - Nickel Plated Brass Luer Coupler, Female Slip Luer (x2)**

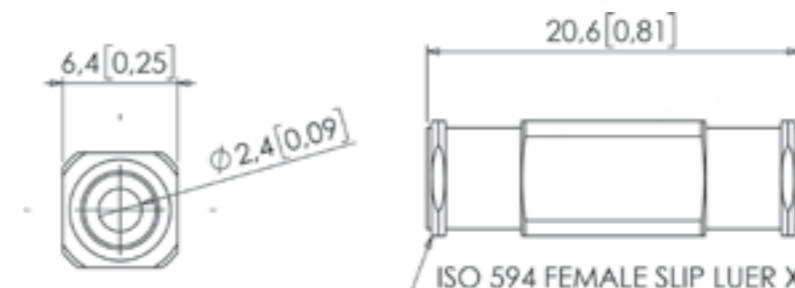


Price starting from: £5.06

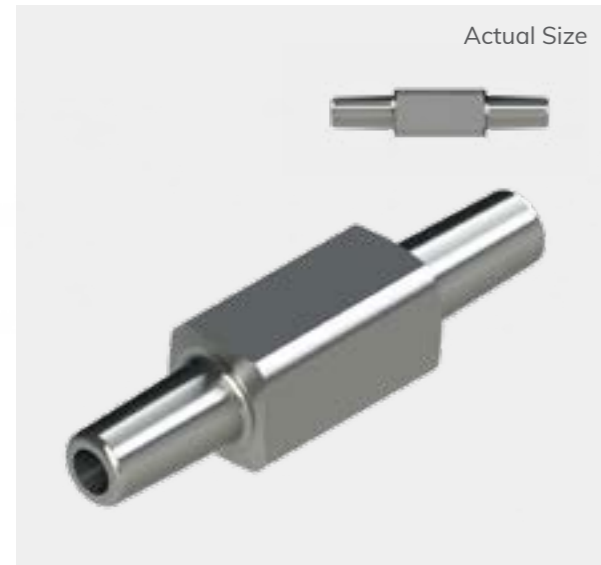
\*Larger quantity price breaks available

**Technical Data**

Max. Inlet Pressure: 3.1 bar (45 psi)  
 Connections: Female Slip Luer (x2)  
 Mounting Style: In-line  
 Wetted Materials: Nickel Plated Brass  
 Non-wetted Materials: Nickel Plated Brass  
 Media/Ambient Temperature: -40°C to 200°C (-40°F to 392°F)  
 RoHS/REACH Compliant: Yes  
 Cleanroom Manufactured: No  
 Regulatory Information: ISO 594  
 Other Technical Data: A Nickel Plated Brass luer coupler with female slip luer (x2). Suitable for compressed air and vacuum.



**E-F-171380 - Nickel Plated Brass Luer Coupler, Male Slip Luer (x2)**

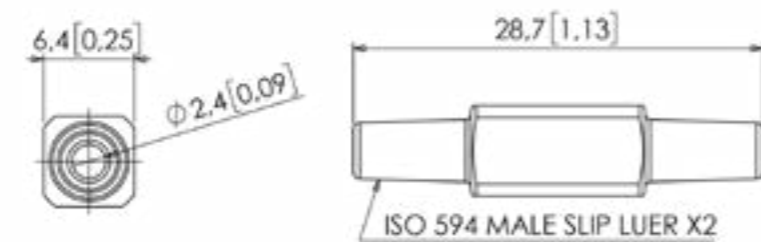


Price starting from: £6.16

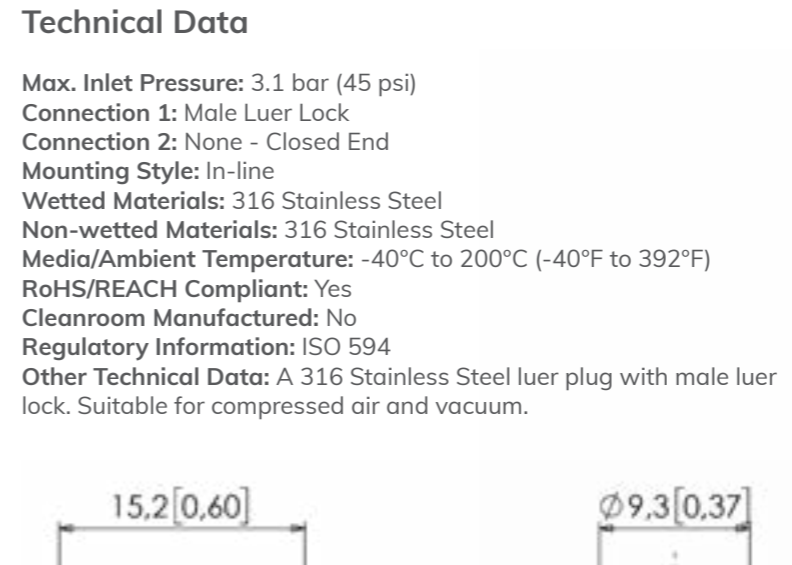
\*Larger quantity price breaks available

**Technical Data**

Max. Inlet Pressure: 3.1 bar (45 psi)  
 Connections: Male Luer Lock (x2)  
 Mounting Style: In-line  
 Wetted Materials: Nickel Plated Brass  
 Non-wetted Materials: Nickel Plated Brass  
 Media/Ambient Temperature: -40°C to 200°C (-40°F to 392°F)  
 RoHS/REACH Compliant: Yes  
 Cleanroom Manufactured: No  
 Regulatory Information: ISO 594  
 Other Technical Data: A Nickel Plated Brass luer coupler with male slip luer (x2). Suitable for compressed air and vacuum.



**E-F-171449 - 316 Stainless Steel Luer Plug, Male Luer Lock**

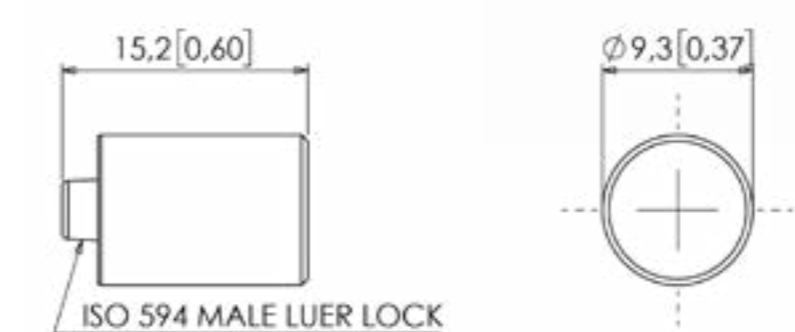


Price starting from: £24.98

\*Larger quantity price breaks available

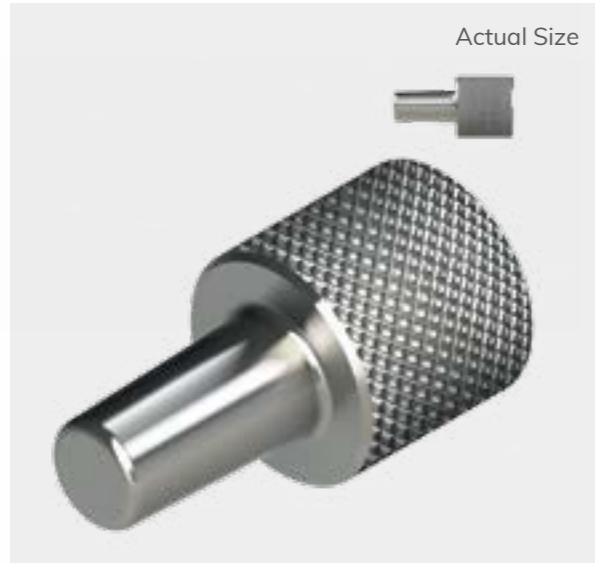
**Technical Data**

Max. Inlet Pressure: 3.1 bar (45 psi)  
 Connection 1: Male Luer Lock  
 Connection 2: None - Closed End  
 Mounting Style: In-line  
 Wetted Materials: 316 Stainless Steel  
 Non-wetted Materials: 316 Stainless Steel  
 Media/Ambient Temperature: -40°C to 200°C (-40°F to 392°F)  
 RoHS/REACH Compliant: Yes  
 Cleanroom Manufactured: No  
 Regulatory Information: ISO 594  
 Other Technical Data: A 316 Stainless Steel luer plug with male luer lock. Suitable for compressed air and vacuum.



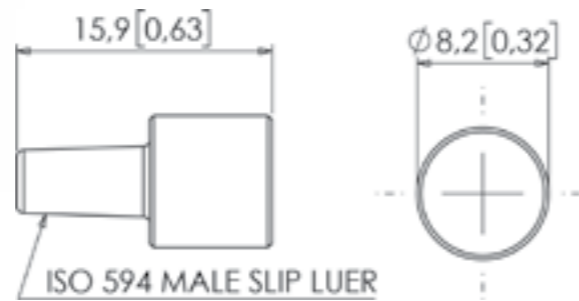


**E-F-171382 - Nickel Plated Brass Luer Plug, Male Slip Luer**



**Technical Data**

Max. Inlet Pressure: 3.1 bar (45 psi)  
 Connection 1: None - Closed End  
 Connection 2: Male Slip Luer  
 Mounting Style: In-line  
 Wetted Materials: Nickel Plated Brass  
 Non-wetted Materials: Nickel Plated Brass  
 Media/Ambient Temperature: -40°C to 200°C (-40°F to 392°F)  
 RoHS/REACH Compliant: Yes  
 Cleanroom Manufactured: No  
 Regulatory Information: ISO 594  
 Other Technical Data: A Nickel Plated Brass luer plug with male slip luer. Suitable for compressed air and vacuum.



Price starting from: £3.80

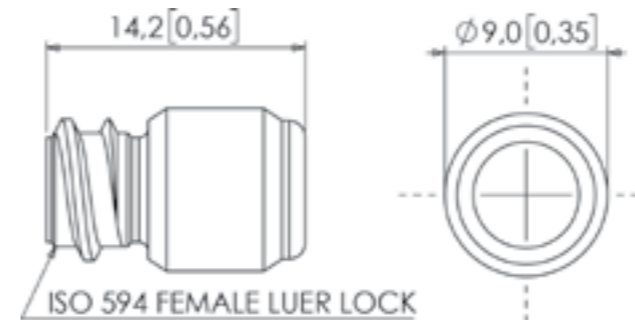
\*Larger quantity price breaks available

**E-F-171384 - Nickel Plated Brass Luer Plug, Female Luer Lock**



**Technical Data**

Max. Inlet Pressure: 3.1 bar (45 psi)  
 Connection 1: Female Luer Lock  
 Connection 2: None - Closed End  
 Mounting Style: In-line  
 Wetted Materials: Nickel Plated Brass  
 Non-wetted Materials: Nickel Plated Brass  
 Media/Ambient Temperature: -40°C to 200°C (-40°F to 392°F)  
 RoHS/REACH Compliant: Yes  
 Cleanroom Manufactured: No  
 Regulatory Information: ISO 594  
 Other Technical Data: A Nickel Plated Brass luer plug with female luer lock. Suitable for compressed air and vacuum.



Price starting from: £4.26

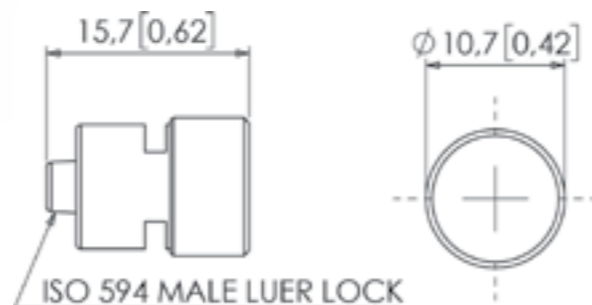
\*Larger quantity price breaks available

**E-F-171381 - Nickel Plated Brass Luer Plug, Male Luer Lock**



**Technical Data**

Max. Inlet Pressure: 3.1 bar (45 psi)  
 Connection 1: None - Closed End  
 Connection 2: Male Luer Lock  
 Mounting Style: In-line  
 Wetted Materials: Nickel Plated Brass  
 Non-wetted Materials: Nickel Plated Brass  
 Media/Ambient Temperature: -40°C to 200°C (-40°F to 392°F)  
 RoHS/REACH Compliant: Yes  
 Cleanroom Manufactured: No  
 Regulatory Information: ISO 594  
 Other Technical Data: A Nickel Plated Brass luer plug with male luer lock. Suitable for compressed air and vacuum.



Price starting from: £5.68

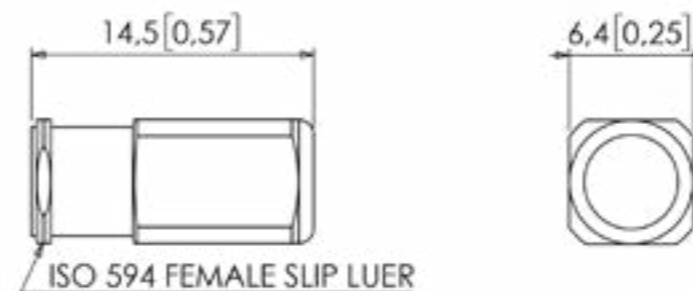
\*Larger quantity price breaks available

**E-F-171383 - Nickel Plated Brass Luer Plug, Female Slip Luer**



**Technical Data**

Max. Inlet Pressure: 3.1 bar (45 psi)  
 Connection 1: Female Slip Luer  
 Connection 2: None - Closed End  
 Mounting Style: In-line  
 Wetted Materials: Nickel Plated Brass  
 Non-wetted Materials: Nickel Plated Brass  
 Media/Ambient Temperature: -40°C to 200°C (-40°F to 392°F)  
 RoHS/REACH Compliant: Yes  
 Cleanroom Manufactured: No  
 Regulatory Information: ISO 594  
 Other Technical Data: A Nickel Plated Brass luer coupler with male slip luer to female slip luer. Suitable for compressed air and vacuum.



Price starting from: £3.80

\*Larger quantity price breaks available

# Other products we offer:

## Check Valves

Available in various specification and material options. Valve types include: Duckbill, Floating Disc, Diaphragm and Poppets.

We have recently added Modular Check Valves to our range with many configurations available including Barb, Threaded, Push-In and Cartridge only. These utilise a spring-forced floating poppet which will allow flow at a cracking pressure to suit your application. Cleanroom manufactured also available.



## Couplings

Our miniature couplings range is available in a wide variety of metal and plastic materials.

We have three mounting style options including In-Line, Panel Mount and Threaded. Mating options for our range of couplings include Thumb Latch, Twist Lock, Side Latch, Multiple Bulkhead and Luers which are offered in ISO 80369-7 to prevent misconnections.



Visit our website for the full product range  
[eoxshop.com](http://eoxshop.com) or email us [sales@eoxshop.com](mailto:sales@eoxshop.com)

## Tubing

The range of tube materials we offer includes Kynar®, LLDPE, Nylon, Polyethylene, Polyurethane, PVC, Silicone and TPE. Select from different shore hardness tube ratings according to where and how your tubing will be used.



## Filters

We offer filtration from as low as 0.10 Micron up to 250 Micron. There are many different material options available for both the filter element and the body housing. Connection styles from Luer to Luer, Threaded, Barb to Barb and Push-In.

We offer a range of filters including Suction, Syringe, Serviceable and Luer.



## Flow Control

Eox offers many different materials, connections and voltages which are used to direct and control the flow of compressed air through the system.

The range includes Orifice Restrictors, Directional Valves, Needle Valves, Flow Control Valves, Regulators and Pumps offered in a variety of material options.





E: [sales@eoxshop.com](mailto:sales@eoxshop.com)

W: [eoxshop.com](http://eoxshop.com)