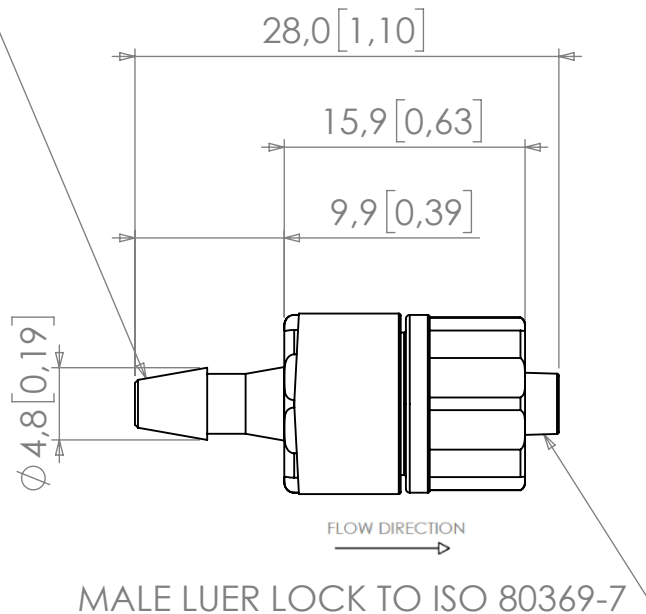


TO SUIT 3.2mm(1/8")ID TUBE



1	-	-		18/02/2019	
REV	CREATED	CHECKED	APPROVED	REV DATE	REVISION SUMMARY
MATERIAL: ABS, POLYSTYRENE, SILICONE					
If dimensional information is critical, please contact Eoxshop.com for confirmation. All dimensions are in accordance with the manufacturers drawings and are subject to change without prior notice.				EOXSHOP TEL: +44 (0) 23 9226 6031 WWW.EOXSHOP.COM SALES@EOXSHOP.COM	
TITLE: ISO 80369-7 CHECK VALVE, MALE LUER LOCK TO 1/8" BARB, POLYSTYRENE/ABS BODY WITH SILICONE DISK					
	DIM'S mm[inch]	SCALE NTS	SIZE A4	SHEET 1 / 1	DOCUMENT NUMBER E-C-190009
					REVISION 1

