

1

2

3

4

5

6

A

A

B

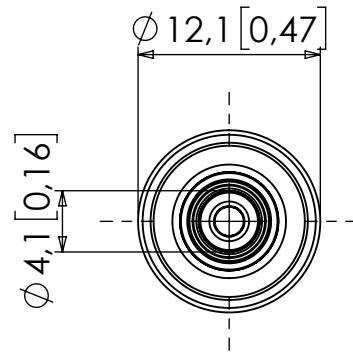
B

C

C

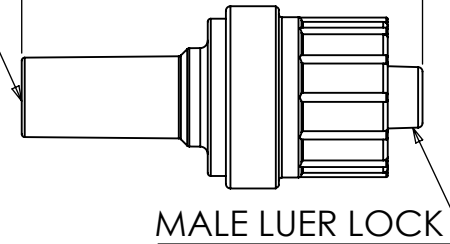
D

D



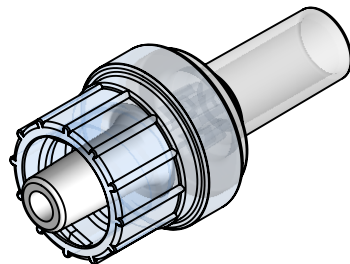
4.1mm BOND-IN PORT

26,5 [1,04]



MALE LUER LOCK

FLOW DIRECTION →



1				29/11/2022	FIRST RELEASE
REV	CREATED	CHECKED	APPROVED	DWG DATE	REVISION SUMMARY

MATERIAL: MABS, SILICONE

If dimensional information is critical, please contact Eoxshop.com for confirmation. All dimensions are in accordance with the manufacturers drawings and are subject to change without prior notice.

EOXSHOP
TEL: +44 (0) 23 9226 6031
WWW.EOXSHOP.COM
SALES@EOXSHOP.COM



TITLE: MABS LUER CHECK VALVE WITH TPE TAPER, SILICONE DISC, 4.1MM BOND-IN PORT TO MALE LUER LOCK, 0.2 BAR CRACKING PRESSURE

	DIM'S mm[inch]	SCALE NTS	SIZE A4	SHEET 1 / 1	DOCUMENT NUMBER E-C-200002	REVISION 1
--	-------------------	--------------	------------	----------------	-------------------------------	---------------

1

2

3

4

5

6