

1

2

3

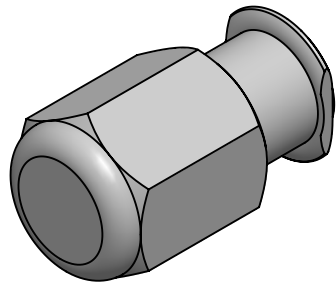
4

5

6

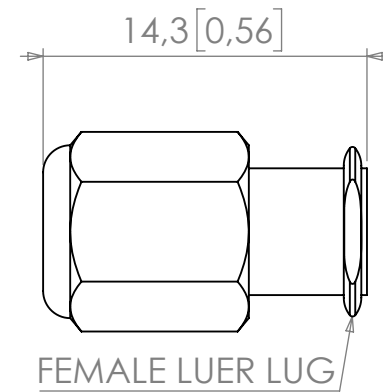
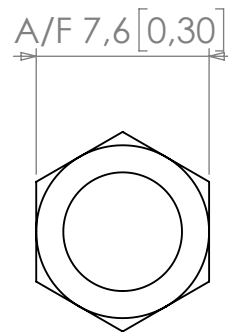
A

A



B

B



FEMALE LUER LUG

C

C

D

D

1	WTsang	TTsang	SBurton	23/03/2017	
REV	CREATED	CHECKED	APPROVED	DWG DATE	REF

MATERIAL: 316 STAINLESS STEEL

If dimensional information is critical, please contact Eoxshop.com for confirmation. All dimensions are in accordance with the manufacturers drawings and are subject to change without prior notice.

EOXSHOP  
TEL: +44 (0) 23 9226 6031  
WWW.EOXSHOP.COM  
SALES@EOXSHOP.COM



TITLE: FEMALE LUER LUG TO CLOSED END, STAINLESS STEEL

DIM'S  
mm[inch]SCALE  
NTSSIZE  
A4SHEET  
1 / 1DOCUMENT NUMBER  
E-F-171435REVISION  
1

1

2

3

4

5

6