

1

2

3

4

5

6

A

A

B

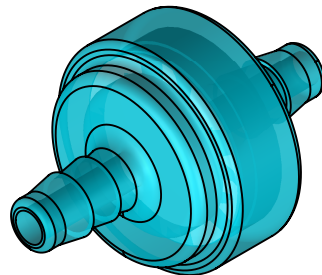
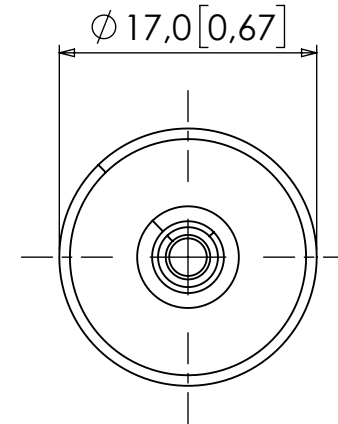
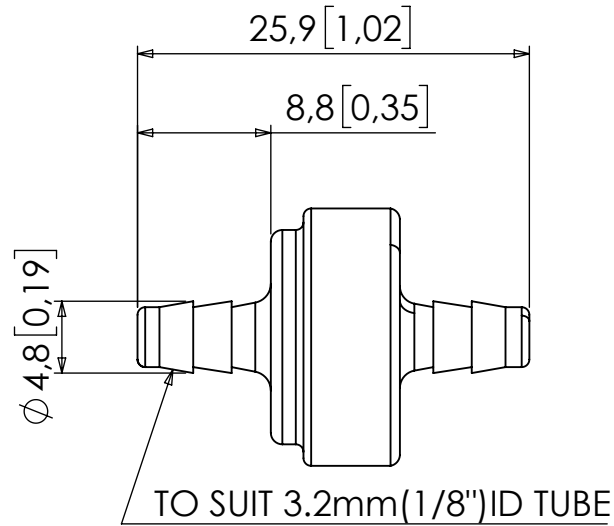
B

C

C

D

D



1				21/09/2023	FIRST RELEASE
REV	CREATED	CHECKED	APPROVED	DWG DATE	REVISION SUMMARY
MATERIAL: POLYPROPYLENE					
If dimensional information is critical, please contact Eoxshop.com for confirmation. All dimensions are in accordance with the manufacturers drawings and are subject to change without prior notice.				EOXSHOP TEL: +44 (0) 23 9226 6031 WWW.EOXSHOP.COM SALES@EOXSHOP.COM	
TITLE: IN-LINE FILTER, 1/8" BARBED PORTS 105 MICRON, TEAL POLYPROPYLENE BODIED, POLYPROPYLENE					
	DIM'S mm[inch]	SCALE NTS	SIZE A4	SHEET 1 / 1	DOCUMENT NUMBER E-M-230013
					REVISION 1