

1

2

3

4

5

6

A

A

B

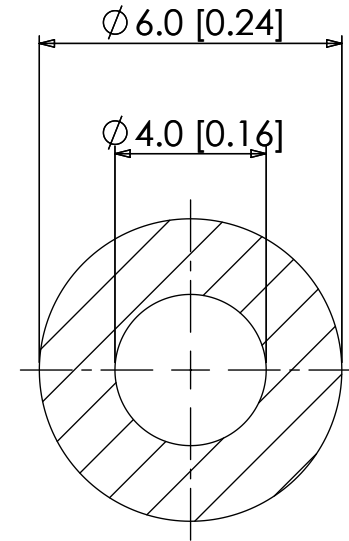
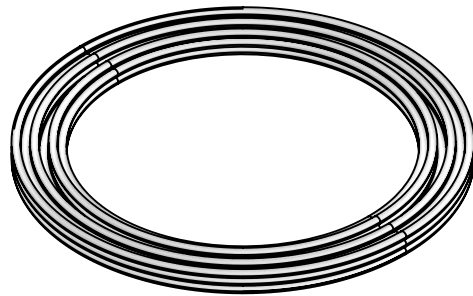
B

C

C

D

D



CROSS SECTION OF HOSE

1	WTsang	TTsang	SBurton	05/10/2016		
REV	CREATED	CHECKED	APPROVED	REV DATE	REF No.	REVISION SUMMARY

MATERIAL: POLYURETHANE

If dimensional information is critical, please contact Eoxshop.com for confirmation. All dimensions are in accordance with the manufacturers drawings and are subject to change without prior notice.

EOXSHOP  
 TEL: +44 (0) 23 9226 6031  
 WWW.EOXSHOP.COM  
 SALES@EOXSHOP.COM



TITLE: 6 MM OD X 4 MM (5/32") ID POLYURETHANE TUBE, CLEAR COLOUR – 30M

	DIM'S mm[inch]	SCALE NTS	SIZE A4	SHEET 1 / 1	DOCUMENT NUMBER E-T-160050	REVISION 1
--	-------------------	--------------	------------	----------------	-------------------------------	---------------

1

2

3

4

5

6