

1

2

3

4

5

6

A

A

B

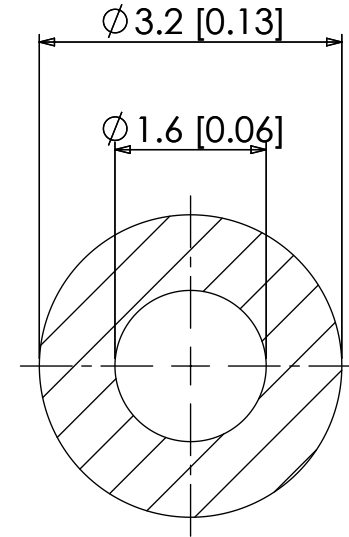
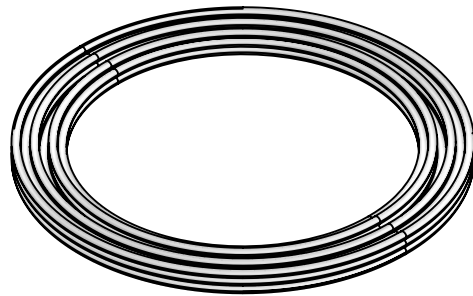
B

C



C

D

D



CROSS SECTION OF HOSE

1	WTsang	TTsang	SBurton	28/09/2016		
REV	CREATED	CHECKED	APPROVED	REV DATE	REF No.	REVISION SUMMARY
MATERIAL: NON-PHTHALATE POLYVINYL CHLORIDE						
If dimensional information is critical, please contact Eoxshop.com for confirmation. All dimensions are in accordance with the manufacturers drawings and are subject to change without prior notice.				EOXSHOP TEL: +44 (0) 23 9226 6031 WWW.EOXSHOP.COM SALES@EOXSHOP.COM		
TITLE: 1/8" OD X 1/16" ID UN-REINFORCED FLEXIBLE PVC TUBE, CLEAR COLOUR - 30M						
	DIM'S mm[inch]	SCALE NTS	SIZE A4	SHEET 1 / 1	DOCUMENT NUMBER E-T-160095	REVISION 1

1

2

3

4

5

6