

1

2

3

4

5

6

A

A

B

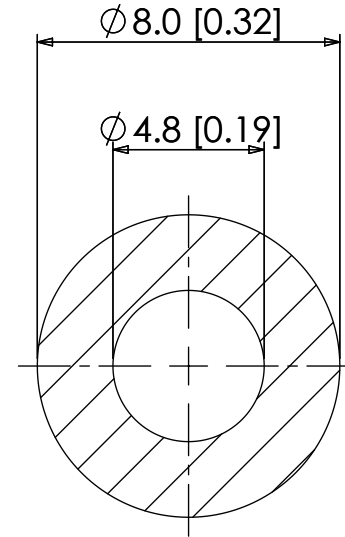
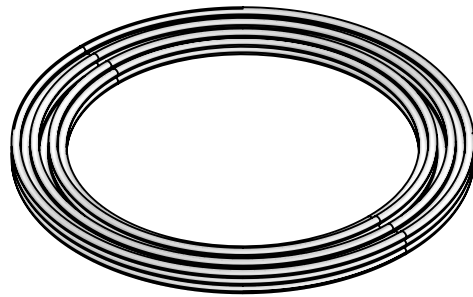
B

C

C

D

D



CROSS SECTION OF HOSE

1	WTsang	TTsang	SBurton	28/09/2016		
REV	CREATED	CHECKED	APPROVED	REV DATE	REF No.	REVISION SUMMARY

MATERIAL: NON-PHTHALATE POLYVINYL CHLORIDE

If dimensional information is critical, please contact Eoxshop.com for confirmation. All dimensions are in accordance with the manufacturers drawings and are subject to change without prior notice.

EOXSHOP  
 TEL: +44 (0) 23 9226 6031  
 WWW.EOXSHOP.COM  
 SALES@EOXSHOP.COM



TITLE: 5/16" OD X 3/16" ID UN-REINFORCED FLEXIBLE PVC TUBE, CLEAR COLOUR - 30M

	DIM'S mm[inch]	SCALE NTS	SIZE A4	SHEET 1 / 1	DOCUMENT NUMBER E-T-160097	REVISION 1
--	-------------------	--------------	------------	----------------	-------------------------------	---------------

1

2

3

4

5

6