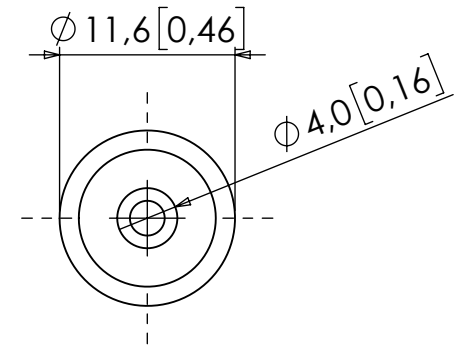
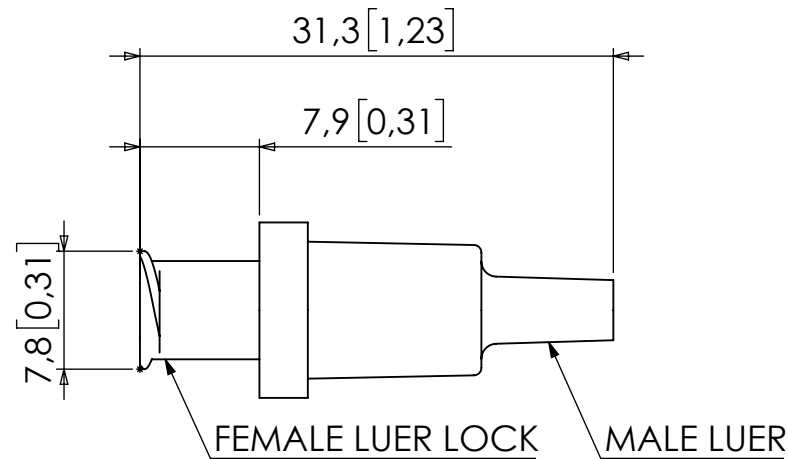


O.D. FLASH: 0.015 MAX. (0.4MM)

GATE VESTIGE: 0.01 MAX. (0.3MM)

EMBEDDED PARTICLES, BUBBLES, SPOTS, STAINS: 0.3mm<sup>2</sup> MAX. NO MORE THAN 3 PER PART.



1				29/11/2017	
REV	CREATED	CHECKED	APPROVED	DWG DATE	REF
MATERIAL: PVC, SILICONE, POLYPROPYLENE					

If dimensional information is critical, please contact Eoxshop.com for confirmation. All dimensions are in accordance with the manufacturers drawings and are subject to change without prior notice.

EOXSHOP  
TEL: +44 (0) 23 9226 6031  
WWW.EOXSHOP.COM  
SALES@EOXSHOP.COM



TITLE: LUER LOCK ACCESS NEEDLE FREE CHECK VALVE WITH FEMALE LUER LOCK/BONDABLE MALE SILP LUER, CLEAR PVC



DIM'S  
mm[inch]

SCALE  
NTS

SIZE  
A4

SHEET  
1 / 1

DOCUMENT NUMBER  
WG14046

REVISION  
1