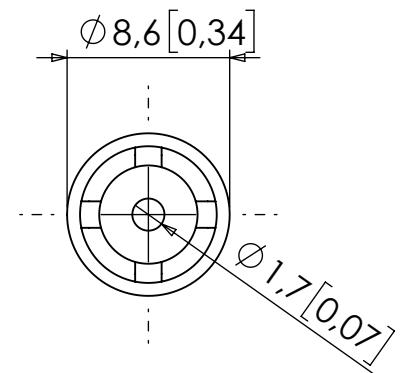
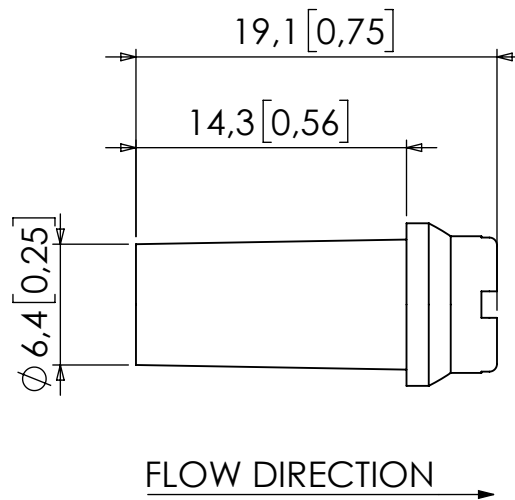


O.D. FLASH: 0.015 MAX. (0.4MM)
GATE VESTIGE: 0.01 MAX. (0.3MM)
EMBEDDED PARTICLES, BUBBLES, SPOTS, STAINS: 0.3mm ² MAX. NO MORE THAN 3 PER PART.



1				01/12/2017	
REV	CREATED	CHECKED	APPROVED	DWG DATE	REF
MATERIAL: POLYPROPYLENE, SILICONE					
If dimensional information is critical, please contact Eoxshop.com for confirmation. All dimensions are in accordance with the manufacturers drawings and are subject to change without prior notice.				EOXSHOP TEL: +44 (0) 23 9226 6031 WWW.EOXSHOP.COM SALES@EOXSHOP.COM	
TITLE: CATHETER CHECK VALVE FOR 1/4" ID TUBING, CLEAR POLYPROPYLENE					
		DIM'S mm[inch]	SCALE NTS	SIZE A4	SHEET 1 / 1 DOCUMENT NUMBER WG14064 REVISION 1

