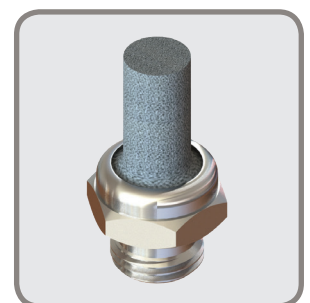
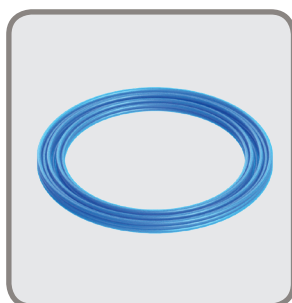
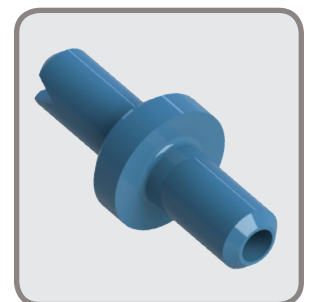
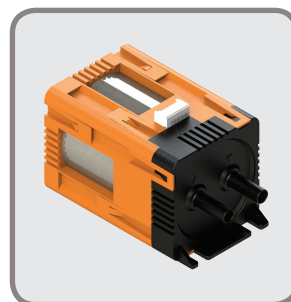
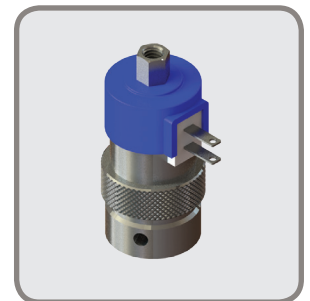




Your gateway to a world  

---

of miniature fluid control





# Your gateway to a world of miniature fluid control

## What sets us apart from the competition ...



### Qualified Engineering Support

We have an in-house team of Solidworks certified engineers



### In stock products direct from Eox

Off the shelf products available, with the correct seals & material specification, suitable for scientific & medical applications



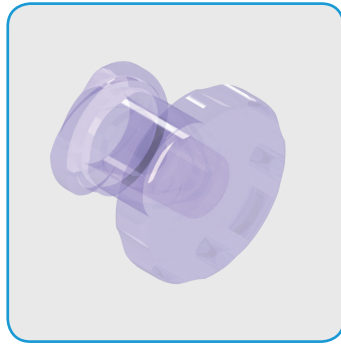
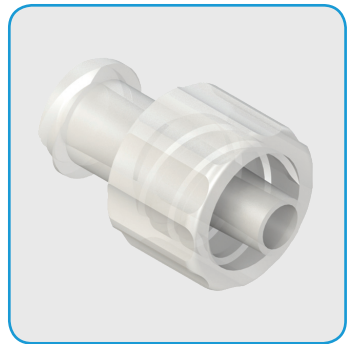
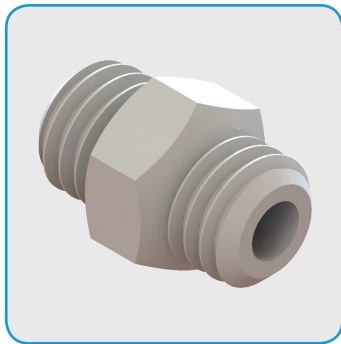
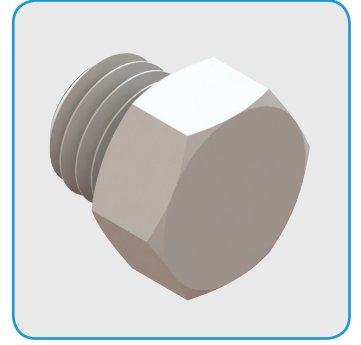
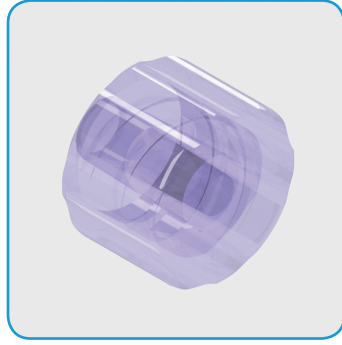
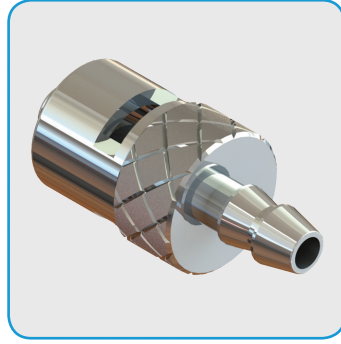
### Downloadable product documentation

- Full technical data  
- Dimensional drawings  
- 2D & 3D CAD Models in IGS format

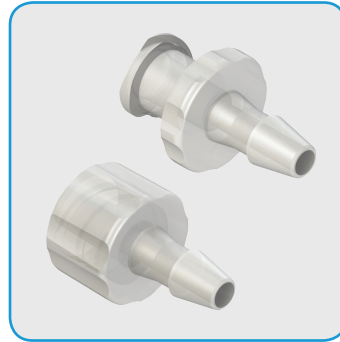
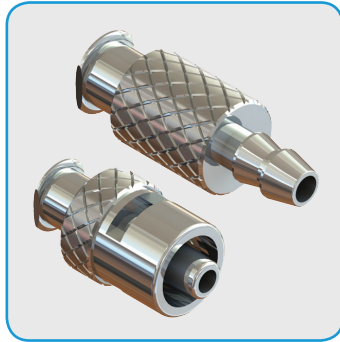
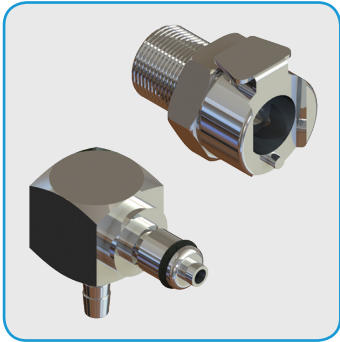
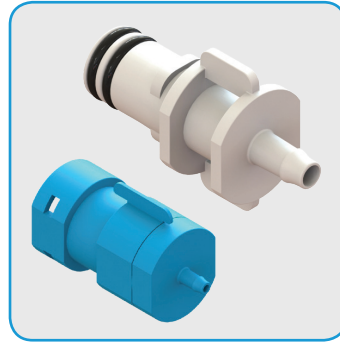
## Other services we offer ...

- Kit, packaging and tubing assemblies
- Wide component selection to match chemical compatibility and operating condition requirements
- Class 7 clean room facilities allowing us to provide clean room packaging and custom sub-assembly production for medical OEM's

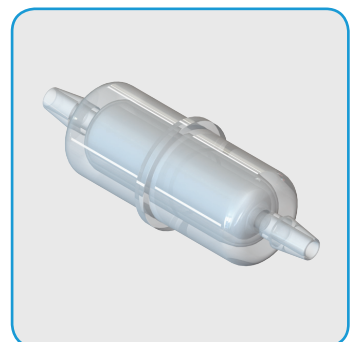
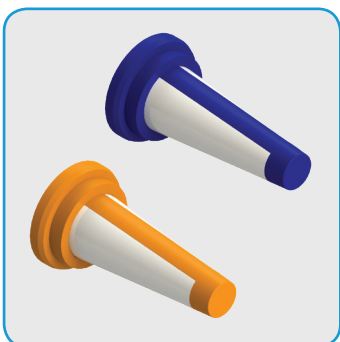
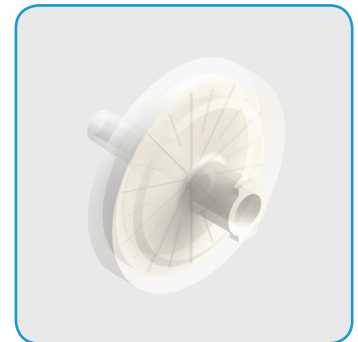
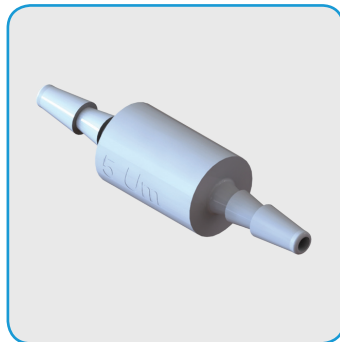
# FITTINGS



# COUPLINGS

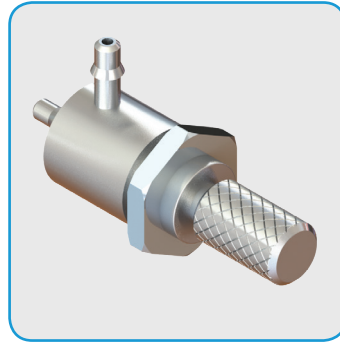
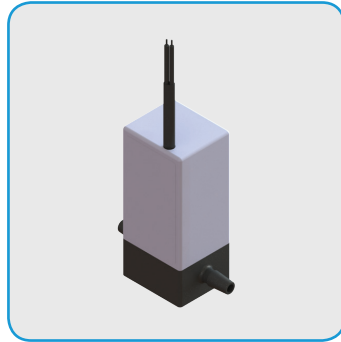
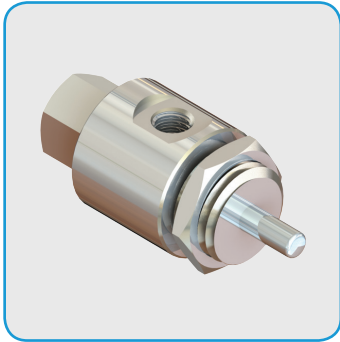
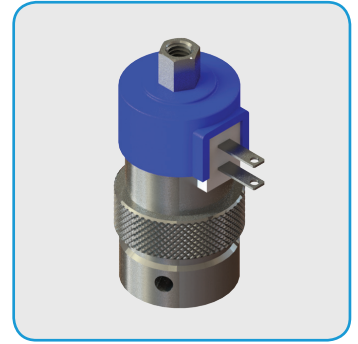
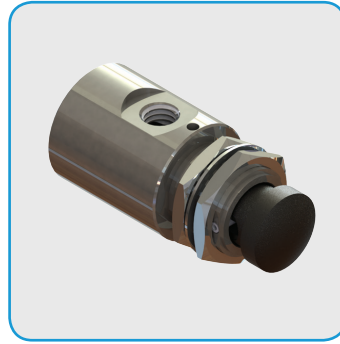
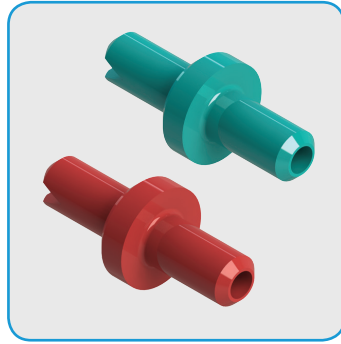
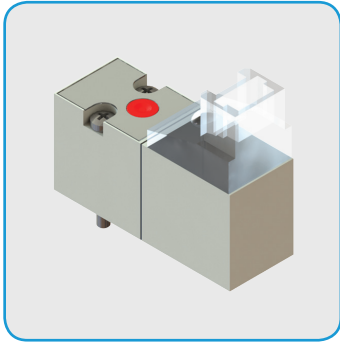


# FILTERS

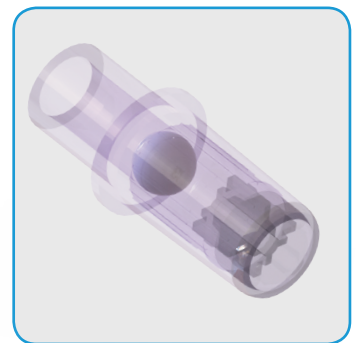
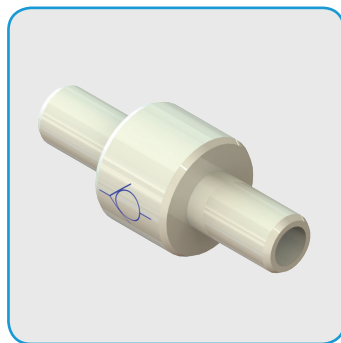
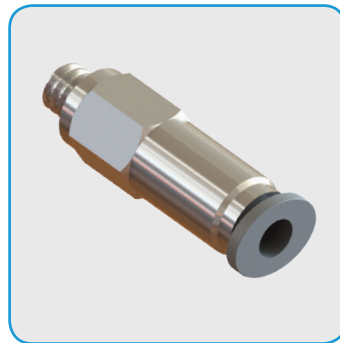
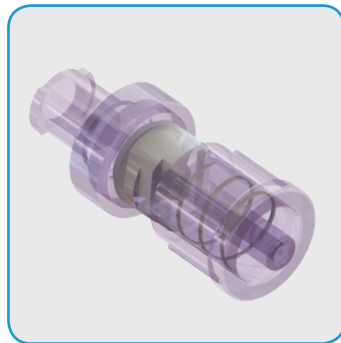




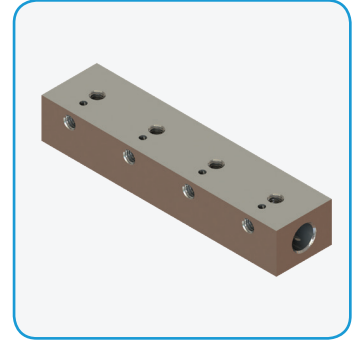
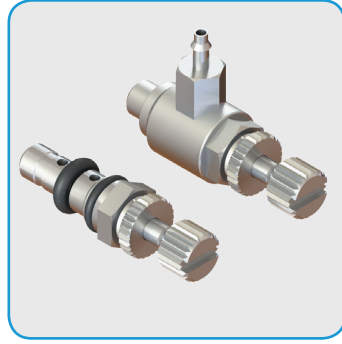
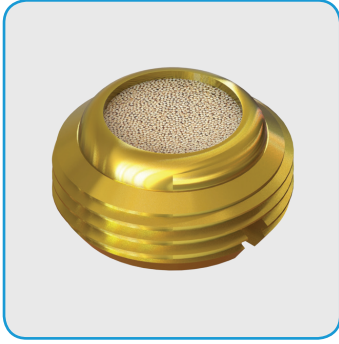
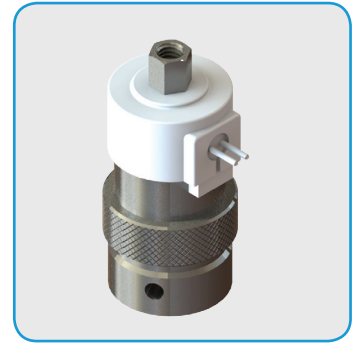
# VALVES & FLOW CONTROL



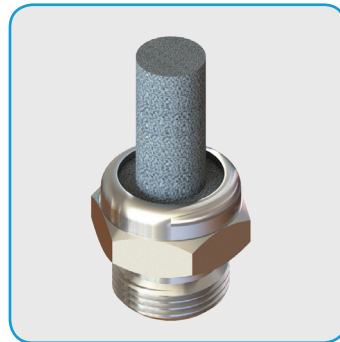
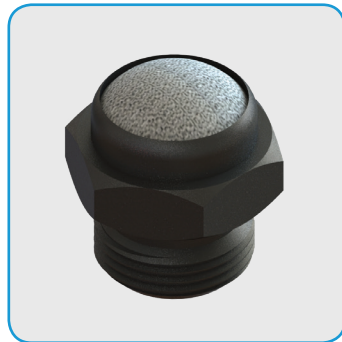
# CHECK VALVES



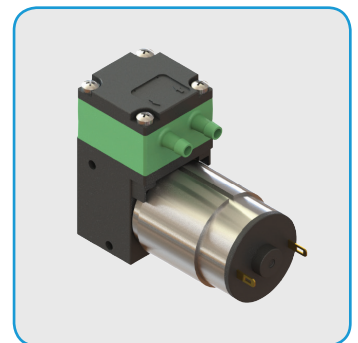
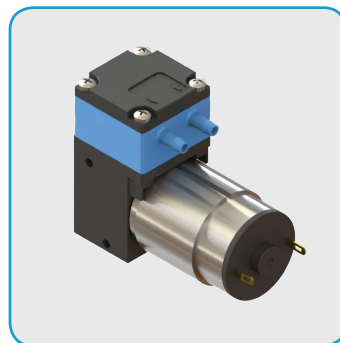
# MANIFOLD TECHNOLOGY



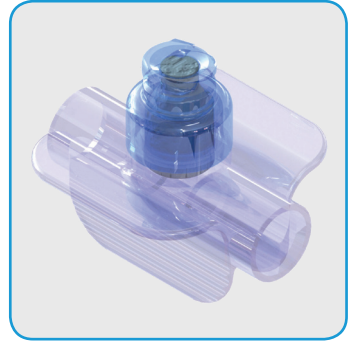
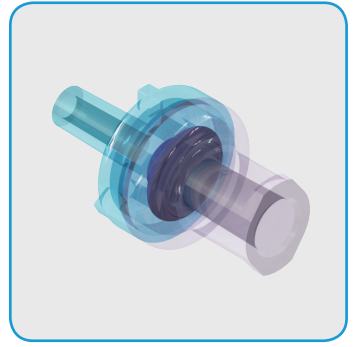
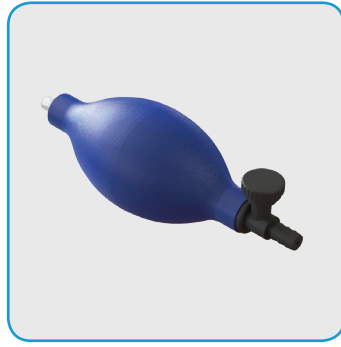
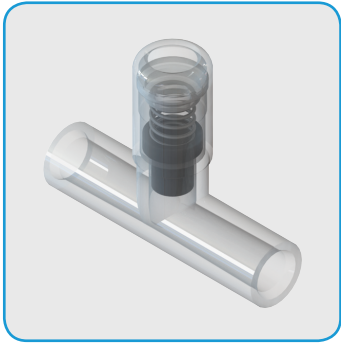
# SILENCERS



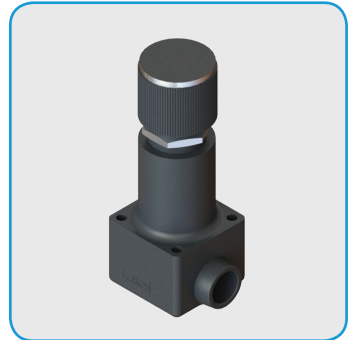
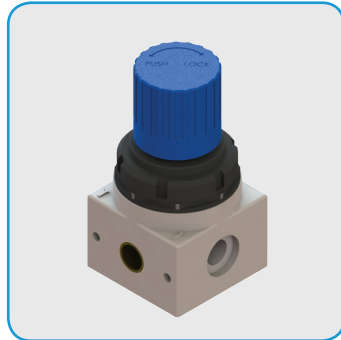
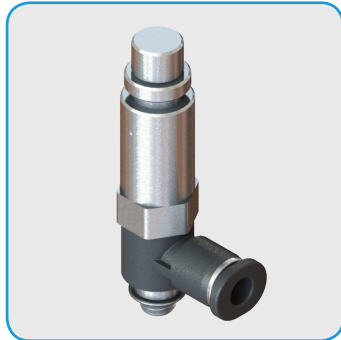
# PUMPS



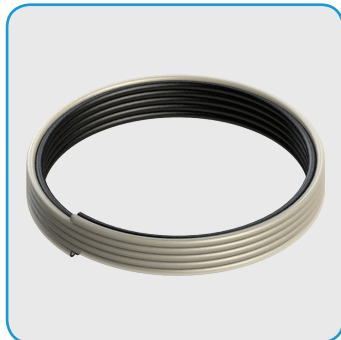
# MEDICAL ACCESSORIES



# REGULATORS



# TUBING





# MARKETS WE SERVE



# APPLICATIONS



Supplying the world's leading manufacturers with miniature components